



# Technical Sheet

## Hands-Free QUASAR™ Surface Mount VersaFiller® with VersaFilter II and Remedi Filter

### • PWSMF2EBQ

#### Suggested Specification

Model PWSMF2EBQ is a surface mount bottle filler with hands-free operation. The QUASAR VersaFiller alcove and drip tray contain FreshShield®, which utilizes a silver-based antimicrobial compound to protect the surfaces from discoloration, odors and degradation caused by the growth of micro-organisms and mildew. Unit shall include filter monitor and bottle counter. QUASAR VersaFiller cabinet finish is brushed stainless steel. Shall have VersaFilter II for lead, cyst, chlorine, taste, and odor reduction.

QUASAR bottle filler shall have UVC-LED treatment at the dispense point, which disinfects the water while it is being dispensed. UVC-LED also cycles on periodically to keep the dispense point sanitized between dispenses.

PWSMF2EBQ VersaFiller models satisfy ANSI A117.1 and ADA requirements when properly installed. Units also meet guidelines for children's accessibility providing the floor to orifice height is 30 inches and proper clear floor space is provided for frontal approach. Shall be listed by Underwriters Laboratories to US and Canadian standards. Shall comply with NSF/ANSI 61 and NSF/ANSI 372.



UVC-LED Treatment right at the point-of-dispense

#### Standard Features

- Hands-free QUASAR with mercury-free UVC-LED treatment at the dispense point
- Low profile design saves space
- Waterways are lead-free in materials & construction
- VersaFiller has independent hands-free activation
- Integrated back-lit bottle counter
- Built in filter monitor
- Built-in 1 micron strainer stops particles before they enter the waterway
- Heavy duty galvanized steel frame
- Surface mount frame assembly
- VersaFilter II is certified to NSF/ANSI 42 and 53 for lead, chlorine, taste and odor reduction to 3000 gallons
- Remedi filter for the reduction of bacteria, cysts, and viruses

#### Finishes

- QUASAR VersaFiller PWSMF2EBQ cabinet finish is brushed stainless steel

#### Installation

- Prior to roughing consult with local, state, and federal codes for proper mounting height.
- Shipped with complete instructions and wall mounting brackets.

#### Limited 1-Year Warranty

(Continental limits of the United States and Canada)  
One year on components parts. Detailed warranty certificate enclosed with each water cooler; sample available upon request.

#### Export Warranty

One year on components parts. Detailed warranty certificate enclosed with each drinking fountain; sample copy available upon request.

#### Certifications/Compliance

- Certified to UL 399 and CAN/CSA C22.2 No.120 (electric water coolers only)
- Product Certified to NSF/ANSI Standard 61-G & 372 and conforms with the lead content requirements for "Lead Free" plumbing as defined by California, Vermont, Maryland, and Louisiana state laws and the U.S. Safe Drinking Water Act
- These water coolers comply with the requirements of ADA (Americans with Disabilities Act) when properly installed



**WARNING:**  
Cancer and Reproductive Harm  
[www.P65Warnings.ca.gov](http://www.P65Warnings.ca.gov)

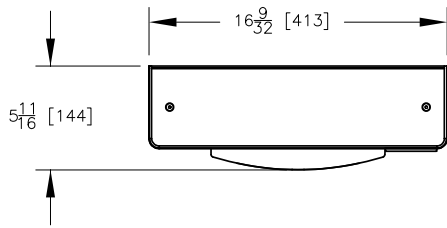


Model	50° F Drinking Water 90° F Ambient Air Temp*			Hot'N Cold™ Model	115 Volts, 60 HZ			Glass Filler Acc. Option	Cabinet Color Finish	Net Wt. Approx.
	Rated Capacity GPH	Base Rate GPH	Pre-Cooler		Compr. HP	Full Load Amps	Rated Watts			
PWSMF2EBQ			No	No		.40	25	No		19 Lbs

\*Industry standard rating condition 80° F inlet water temperature

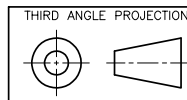
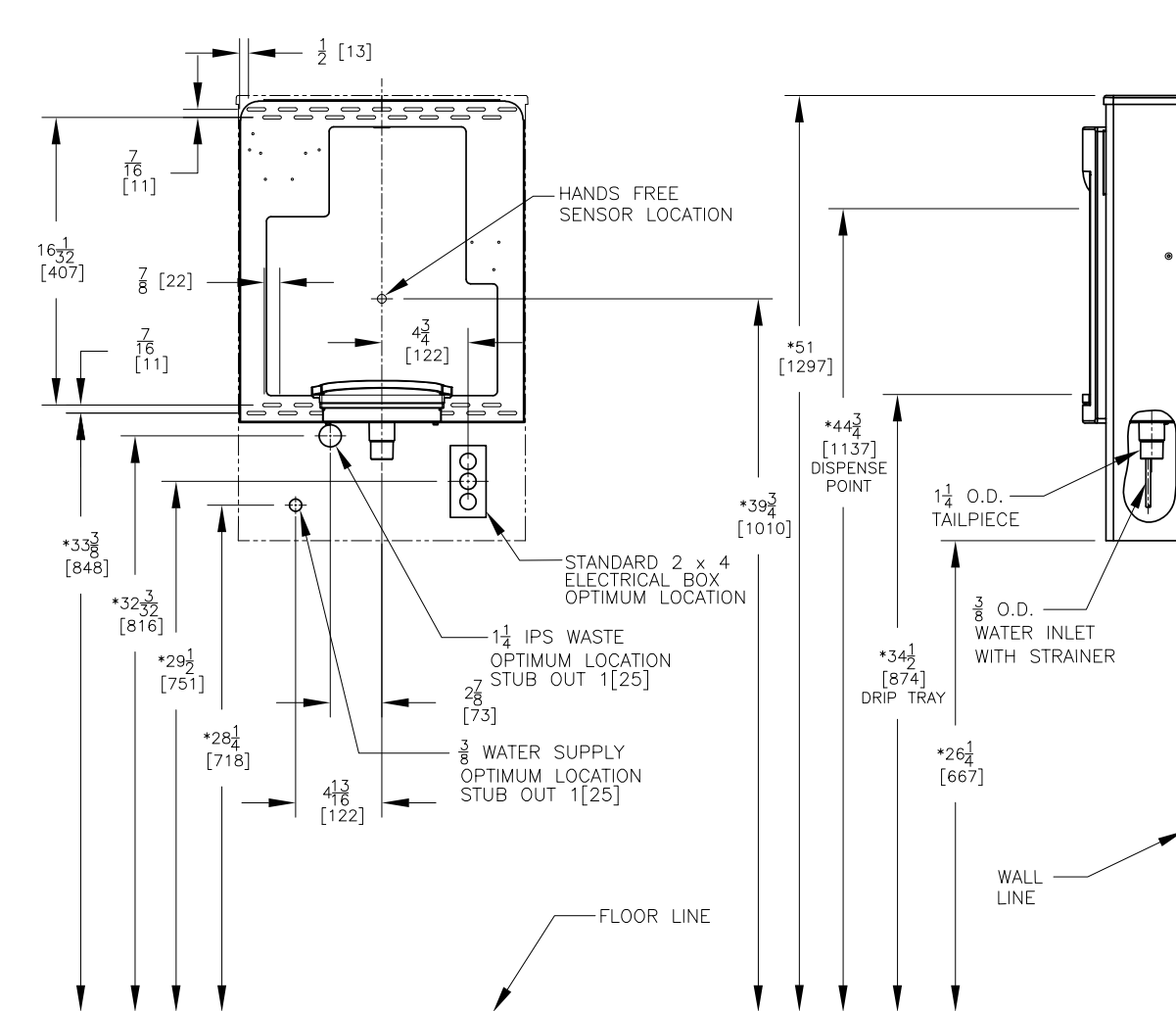
Specifications subject to change without notice

# OASIS® PWSMF2EBQ VERSAFILLER



NOTES:

- \* 1. RECOMMENDED ADULT HEIGHT INSTALLATION SHOWN. ADJUST VERTICAL DIMENSIONS AS REQUIRED TO COMPLY WITH FEDERAL, STATE AND LOCAL CODES.
- 2. STOP VALVE, TRAP, PIPE CONNECTOR TO WASTE LINE AND 3/8 COMP. FITTING NOT PROVIDED.
- 3. ALL DIMENSIONS ARE IN INCHES. DIMENSIONS IN BRACKETS [ ] ARE IN MILLIMETERS.



ROUGHING-IN AND DIMENSIONAL DRAWING



OASIS INTERNATIONAL

222 East Campus View Blvd.  
Columbus, OH 43235

[www.oasiscoolers.com](http://www.oasiscoolers.com)

1-800-646-2747