



We Know Water.

VERSAFILLER® RETROFIT KIT

• PWSBF

Suggested Specification

When retrofitted to either the PG8AC or P8AM, the PWSBF bottle filler has independent manual activation. VersaFiller alcove and activation button contain Freshield®, which utilizes a silver-based antimicrobial compound to protect the surfaces from discoloration, odors and degradation caused by the growth of micro-organisms and mildew. VersaFiller cabinet finish is brushed stainless steel.

When retrofitted to either the PG8AC or P8AM the VersaFiller models satisfy ANSI A117.1 and ADA requirements when properly installed. Units also meet guidelines for children’s accessibility providing the floor to orifice height is 30 inches and proper clear floor space is provided for frontal approach. Shall be listed by Underwriters Laboratories to US and Canadian standards. Shall comply with NSF/ANSI 61 and NSF/ANSI 372.



Features:	<ul style="list-style-type: none"> Waterways are lead-free in materials & construction Heavy duty galvanized steel frame Surface mount frame assembly VersaFiller has independent mechanical activation
Filtration:	Option to add Versafilter Filtration System
Power:	115 Volts, 60 Hz
Activation By:	Independent Manual Activation on Bottle Filler
Mounting Type:	Wall Mounted
Installation Location:	Indoor

The PWSBF VersaFiller is designed to retrofit existing OASIS PG8AC and P8AM pressure cooler models. Models that this unit will not retrofit are the electric eye P8AC and P8AM units. Units with optional glass fillers must have the glass filler disconnected and removed.

Installation

- Prior to rough-in consult with local, state, and federal codes for proper mounting height.
- Shipped with complete instructions and wall mounting brackets.

Finishes

- VersaFiller cabinet finish is brushed stainless steel

Options

- Elkay Adapter Gasket
- Sunroc/HWS Adapter Gasket 036689-101

Limited 1-Year Warranty

(Continental limits of the United States and Canada) One year on components parts. Detailed warranty certificate enclosed with each water cooler; sample available upon request.

Export Warranty

One year on components parts. Detailed warranty certificate enclosed with each drinking fountain; sample copy available upon request.

Certifications/Compliance

- Certified to UL 399 and CAN/CSA C22.2 No.120 (electric water coolers only)
- Product Certified to NSF/ANSI Standard 61-G & 372 and conforms with the lead content requirements for “Lead Free” plumbing as defined by California, Vermont, Maryland, and Louisiana state laws and the U.S. Safe Drinking Water Act
- These water coolers comply with the requirements of ADA (Americans with Disabilities Act) when properly installed



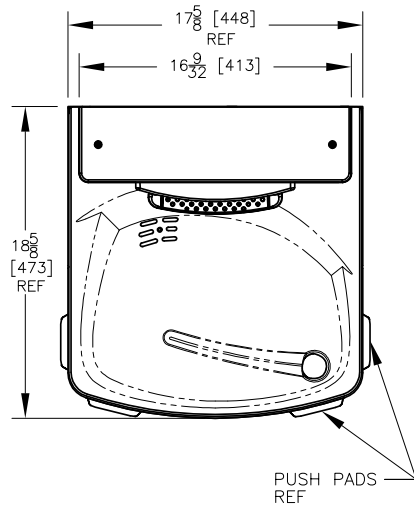
WARNING:
Cancer and Reproductive Harm
www.P65Warnings.ca.gov

*Industry standard rating condition 80° F inlet water temperature



Specifications subject to change without notice

OASIS® PWSBF VERSAFILLER RETROFIT KIT



NOTES:

*1. RECOMMENDED ADULT BARRIER FREE HEIGHT INSTALLATION SHOWN. REDUCE HEIGHT BY 3 INCHES FOR INSTALLATIONS USED PRIMARILY BY CHILDREN AGES 12 AND YOUNGER. UNIT SHALL ALSO HAVE A MINIMUM CLEAR FLOOR SPACE 30[760] BY 48[1220]. ADJUST VERTICAL DIMENSIONS AS REQ'D TO COMPLY WITH FEDERAL, STATE, AND LOCAL CODES.

2. ALL DIMENSIONS ARE IN INCHES. DIMENSIONS IN BRACKETS [] ARE IN MILLIMETERS.

Rough-in drawing is shown with a PG8AC unit in order to show the proper height of the unit when retrofitted to the parent unit and height from the floor in order to comply with ADA standards. THE PG8AC UNIT IS NOT INCLUDED WITH THE PURCHASE OF THE PWSBF.

