



We Know Water.

## K-12 RETROFIT BOTTLE FILLER

### • PWFSBF-K12

#### Suggested Specification

When retrofitted to either the PG8AC or P8AM, the PWFSBF-K12 bottle filler has independent manual activation. The alcove and activation button contain Freshield®, which utilizes a silver-based antimicrobial compound to protect the surfaces from discoloration, odors and degradation caused by the growth of micro-organisms and mildew. Shall include push button to reduce the growth of micro-organisms and mildew. Cabinet is a single piece polymer. Shall come complete with 3,000 gallon lead reduction filter.

When retrofitted to either the PG8AC or P8AM the PWFSBF-K12 satisfies ANSI A117.1 and ADA requirements when properly installed. Units also meet guidelines for children’s accessibility providing the floor to orifice height is 30 inches and proper clear floor space is provided for frontal approach. Shall be listed by Underwriters Laboratories to US and Canadian standards. Shall comply with NSF/ANSI 61 and NSF/ANSI 372. Filter is certified to NSF/ANSI 53 and 42 for lead, cyst, chlorine, taste, and odor reduction.



<b>Features:</b>	<ul style="list-style-type: none"> <li>• 3,000 gallon certified lead reduction filter</li> <li>• Waterways are lead-free in materials &amp; construction</li> <li>• Heavy duty galvanized steel frame</li> <li>• Surface mount frame assembly</li> <li>• Bottle filler has independent mechanical activation</li> </ul>
<b>Filtration:</b>	VersaFilter is Certified to NSF/ANSI 42 and 53 for lead, chlorine, taste and odor reduction to 1,250 gallons
<b>Power:</b>	115 Volts, 60 Hz
<b>Activation By:</b>	Manual Activation on Fountains and Independent Manual Activation on Bottle Filler
<b>Mounting Type:</b>	Wall Mounted
<b>Installation Location:</b>	Indoor

The PWFSBF-K12 is designed to retrofit to existing OASIS PG8AC and P8AM pressure cooler models. Models that this unit will not retrofit to are the electric eye P8AC and P8AM units. Units with optional glass fillers must have the glass filler disconnected and removed.

#### Installation

- Prior to rough-in consult with local, state, and federal codes for proper mounting height.
- Shipped with complete instructions and wall mounting brackets.

#### Finishes

- Single piece polymer cabinet

#### Limited 1-Year Warranty

(Continental limits of the United States and Canada) One year on components parts. Detailed warranty certificate enclosed with each water cooler; sample available upon request.

#### Export Warranty

One year on components parts. Detailed warranty certificate enclosed with each drinking fountain; sample copy available upon request.

#### Certifications/Compliance

- Certified to UL 399 and CAN/CSA C22.2 No.120 (electric water coolers only)
- Product Certified to NSF/ANSI Standard 61-G & 372 and conforms with the lead content requirements for “Lead Free” plumbing as defined by California, Vermont, Maryland, and Louisiana state laws and the U.S. Safe Drinking Water Act
- These water coolers comply with the requirements of ADA (Americans with Disabilities Act) when properly installed
- Filter is certified to NSF/ANSI 53 and 42 for lead, cyst, chlorine, taste, and odor reduction.



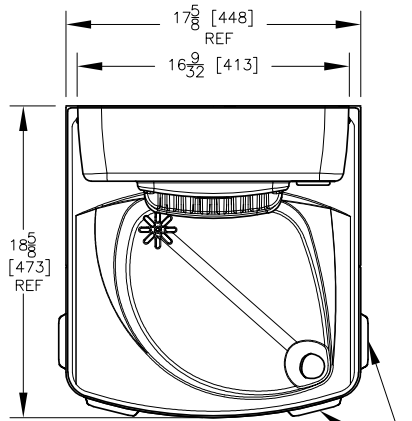
**WARNING:**  
Cancer and Reproductive Harm  
www.P65Warnings.ca.gov

\*Industry standard rating condition 80°F inlet water temperature



Specifications subject to change without notice

# K-12 RETROFIT BOTTLE FILLER



**NOTES:**

1. TRAP, STOP VALVE AND ELECTRICAL OUTLET NOT FURNISHED.
2. ALLOW 4 INCHES [102 MM] MIN. PER SIDE FOR VENTILATION.
- \*3. RECOMMENDED ADULT BARRIER FREE HEIGHT INSTALLATION SHOWN. REDUCE HEIGHT BY 3 INCHES FOR INSTALLATIONS USED PRIMARILY BY CHILDREN AGES 12 AND YOUNGER. UNIT SHALL ALSO HAVE A MINIMUM CLEAR FLOOR SPACE 30[760] BY 48[1220]. ADJUST VERTICAL DIMENSIONS AS REQ'D TO COMPLY WITH FEDERAL, STATE, AND LOCAL CODES.
4. ALL DIMENSIONS ARE IN INCHES. DIMENSIONS IN BRACKETS [ ] ARE IN MILLIMETERS.

