



Technical Sheet

Hands-Free QUASAR™ VersaFiller® Retrofit Kit with VersaFilter II and Remedi Filter

- PWF2EBQ

Suggested Specification

When retrofitted to either the PG8AC or P8AM, the PWF2EBQ bottle filler has independent hands-free activation. The QUASAR VersaFiller alcove and activation button contain Freshield®, which utilizes a silver-based antimicrobial compound to protect the surfaces from discoloration, odors and degradation caused by the growth of micro-organisms and mildew. Unit shall include filter monitor and bottle counter. QUASAR VersaFiller cabinet finish is brushed stainless steel. Shall have VersaFilter II for lead, cyst, chlorine, taste, and odor reduction.

QUASAR bottle filler shall have UVC-LED treatment at the dispense point, which disinfects the water while it is being dispensed. UVC-LED also cycles on periodically to keep the dispense point sanitized between dispenses.

When retrofitted to either the PG8AC or P8AM the VersaFiller models satisfy ANSI A117.1 and ADA requirements when properly installed. Units also meet guidelines for children's accessibility providing the floor to orifice height is 30 inches and proper clear floor space is provided for frontal approach. Shall be listed by Underwriters Laboratories to US and Canadian standards. Shall comply with NSF/ANSI 61 and NSF/ANSI 372.

Standard Features

- Hands-free QUASAR with mercury-free UVC-LED treatment at the dispense point
- Waterways are lead-free in materials & construction
- VersaFiller has independent hands-free activation
- Integrated back-lit bottle counter
- Built in filter monitor
- Heavy duty galvanized steel frame
- Surface mount frame assembly
- VersaFilter II is certified to NSF/ANSI 42 and 53 for lead, chlorine, taste and odor reduction to 3000 gallons

Finishes

- VersaFiller cabinet finish is brushed stainless steel

Installation

- Prior to roughing consult with local, state, and federal codes for proper mounting height.
- Shipped with complete instructions and wall mounting brackets.

Options

- Elkay Adapter Spacer 041114-001
- Sunroc/HWS Adapter Gasket 036689-101

Limited 1-Year Warranty

(Continental limits of the United States and Canada)
One year on components parts. Detailed warranty certificate enclosed with each water cooler; sample available upon request.



UVC-LED Treatment right at the point-of-dispense

The PWF2EBQ VersaFiller is designed to retrofit existing OASIS PG8AC and P8AM pressure cooler models. Models that this unit will not retro to are the electric eye P8AC and P8AM units. Units with optional glass fillers must have the glass filler disconnected and removed.

Export Warranty

One year on components parts. Detailed warranty certificate enclosed with each drinking fountain; sample copy available upon request.

Certifications/Compliance

- Certified to UL 399 and CAN/CSA C22.2 No.120 (electric water coolers only)
- Product Certified to NSF/ANSI Standard 61-G & 372 and conforms with the lead content requirements for "Lead Free" plumbing as defined by California, Vermont, Maryland, and Louisiana state laws and the U.S. Safe Drinking Water Act
- These water coolers comply with the requirements of ADA (Americans with Disabilities Act) when properly installed
- VersaFilter II is certified to NSF/ANSI 42 & 53



WARNING:
Cancer and Reproductive Harm
www.P65Warnings.ca.gov

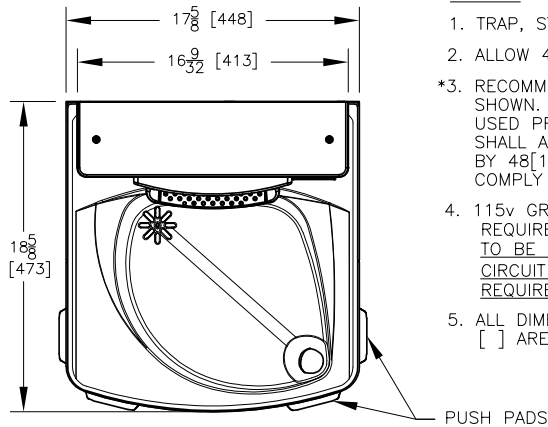


Model	50° F Drinking Water 90° F Ambient Air Temp*			Hot'N Cold™ Model	115 Volts, 60 HZ			Glass Filler Acc. Option	Cabinet Color Finish	Net Wt. Approx.
	Rated Capacity GPH	Base Rate GPH	Pre-Cooler		Compr. HP	Full Load Amps	Rated Watts			
PWF2EBQ			No	No		.40	25	No		15 Lbs

*Industry standard rating condition 80° F inlet water temperature

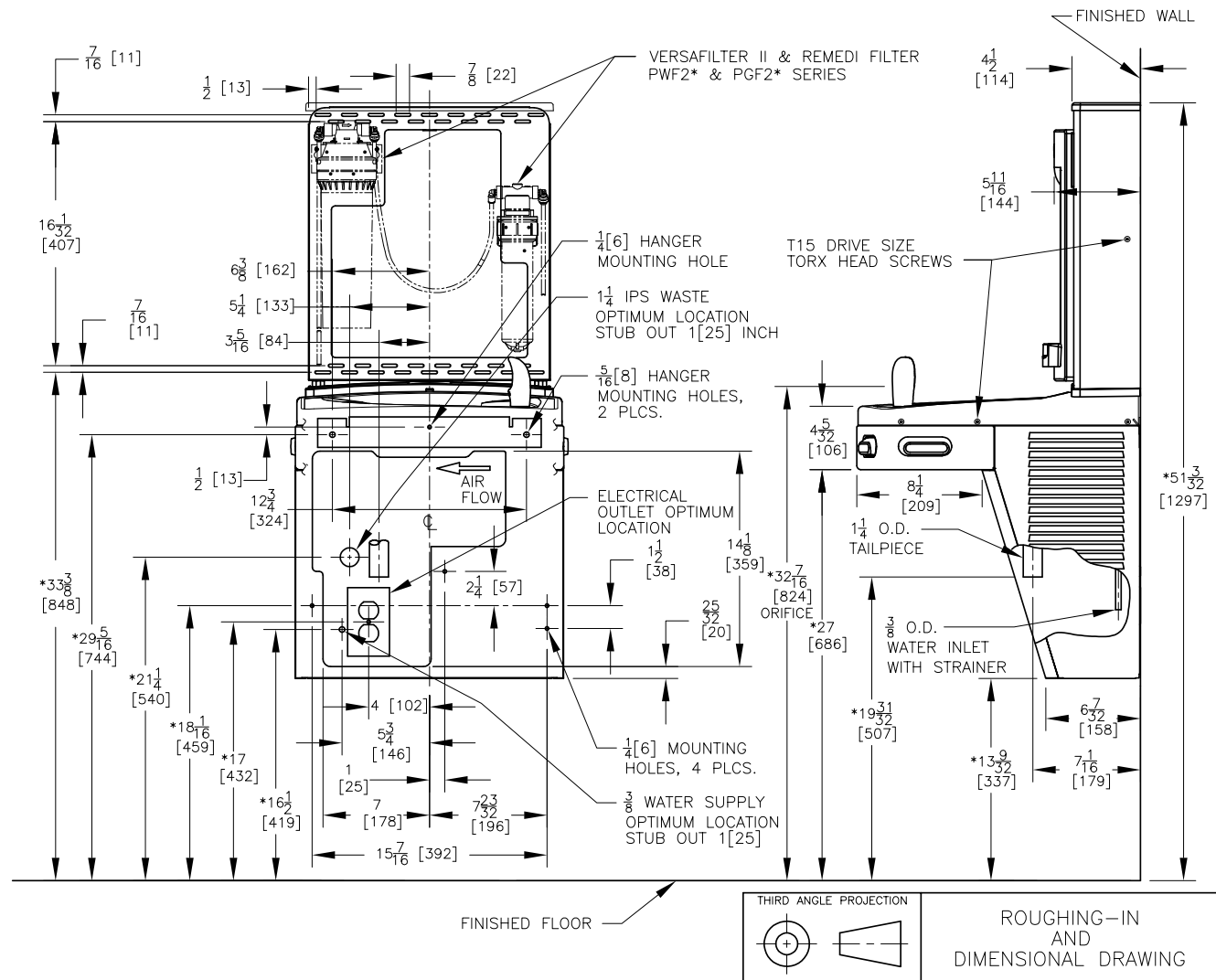
Specifications subject to change without notice

OASIS® PWF2EBQ VERSAFILLER RETROFIT KIT



NOTES:

1. TRAP, STOP VALVE AND ELECTRICAL OUTLET NOT FURNISHED.
2. ALLOW 4 INCHES [102 MM] MIN. PER SIDE FOR VENTILATION.
- *3. RECOMMENDED ADULT BARRIER FREE HEIGHT INSTALLATION SHOWN. REDUCE HEIGHT BY 3 INCHES FOR INSTALLATIONS USED PRIMARILY BY CHILDREN AGES 12 AND YOUNGER. UNIT SHALL ALSO HAVE A MINIMUM CLEAR FLOOR SPACE 30[760] BY 48[1220]. ADJUST VERTICAL DIMENSIONS AS REQ'D TO COMPLY WITH FEDERAL, STATE, AND LOCAL CODES.
4. 115v GROUNDING NORTH AMERICAN DUPLEX RECEPTACLE REQUIRED. THIS DRINKING WATER COOLER IS INTENDED TO BE CONNECTED TO A 20A MINIMUM GROUND FAULT CIRCUIT INTERRUPTING (GFCI) DEVICE TO MEET UL REQUIREMENTS.
5. ALL DIMENSIONS ARE IN INCHES. DIMENSIONS IN BRACKETS [] ARE IN MILLIMETERS.



OASIS INTERNATIONAL

www.oasiscoolers.com

222 East Campus View Blvd.
Columbus, OH 43235

1-800-646-2747