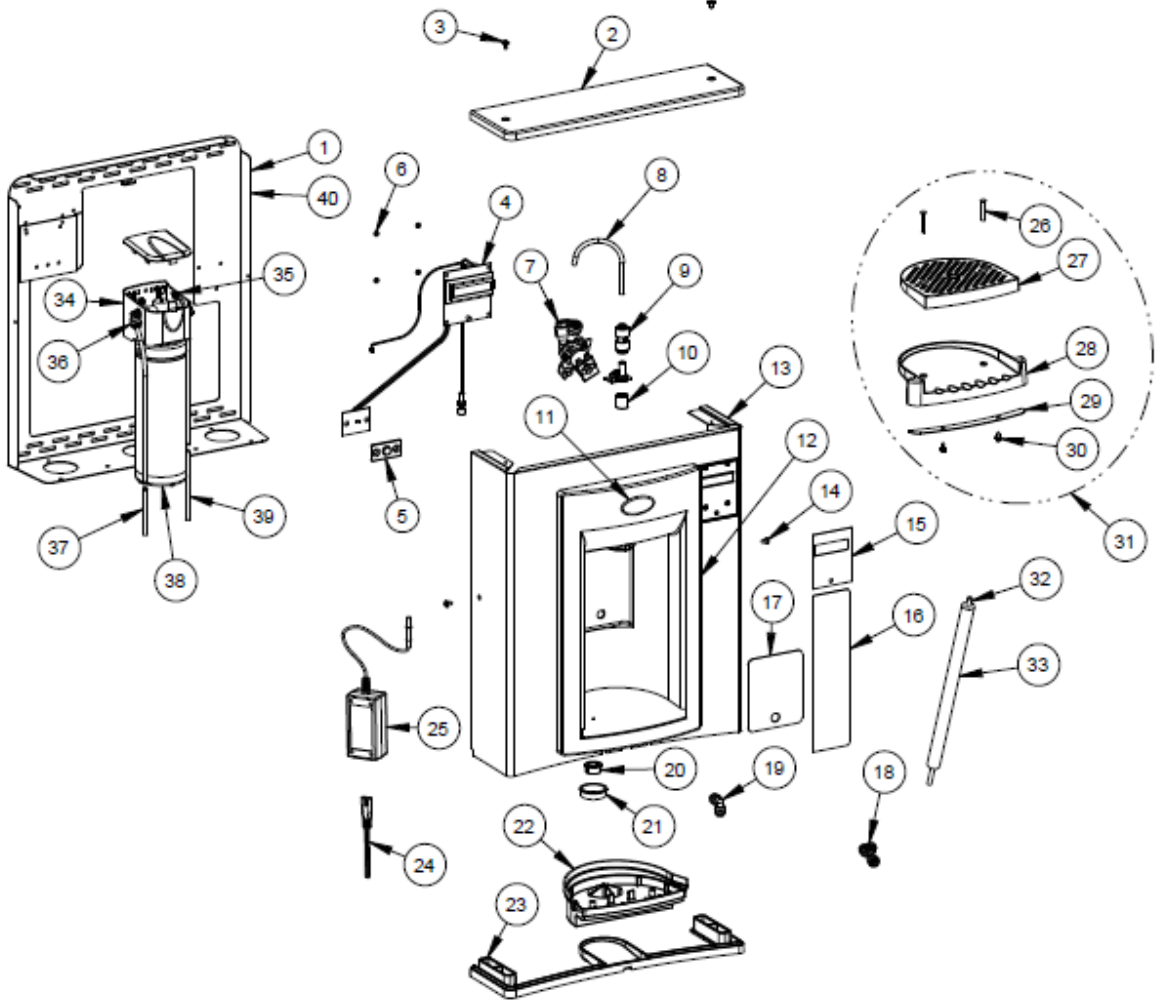


# Section 5: Parts Breakdown



ITEM	QTY	P/N	Description
1	1	036687-003	FRAME
2	1	036686-001	CAP, PWSBF
3	2	031875-003	SCREW, TRUSS HD TAPPING TORX
4	1	038026-002	ELECTRONICS ASSY, IR/LCD
5	1	038027-001	LENS, IR BOTTLE FILLER
6	4	026824-026	NUT, HEX NYLON
7	1	038030-002	SOLENOID VALVE 12VDC
8	1	030152-009	TUBE, PE WHITE 7.5"
9	1	028668-101	FTG, PP REDUCING UNION
10	1	038032-001	FLOW NOZZLE
11	1	031434-014	NAMEPLATE, OASIS
12	1	036190-003	ALCOVE, EBF
13	1	036691-007	WRAPPER, PWEBF
14	2	031875-003	SCREW, TRUSS HD TAPPING TORX
15	1	038031-005	LABEL, LCD BEZEL
16	1	038031-007	LABEL, PANEL EBF
17	1	038031-006	LABEL, ALCOVE SENSOR

ITEM	QTY	P/N	Description
18	1	029199-103	FTG, PP UNION TEE WHITE
19	1	028481-101	FTG, PP UNION ELBOW WHITE
20	1	027189-008	BUSHING, SNAP
21	1	027189-001	BUSHING, SNAP
22	1	036191-002	DRAIN, MSBF, SHORT
23	1	036689-001	GASKET, PWSBF
24	1	038168-001	CORD ASSY, DC POWER SUPPLY
25	1	038036-003	POWER SUPPLY,100-240VAC/12VDC
26	2	036049-002	SCREW, OVAL HD PLASTITE
27	1	036695-001	TRAY, GRILLE DRIP
28	1	036688-001	TRAY, DRIP PWSBF
29	1	036697-001	CAP, DRIP TRAY BOTTOM
30	2	026642-023	SCREW, HEX HD TAPPING #8
31	1	036701-001	DRIP TRAY ASSEMBLY
32	1	030152-046-SP	TUBE, PE WHITE 38"
33	1	017681-035-SP	INSULATION, SPONGE TUBE 32"

### For PWFEFB Only

ITEM	QTY	P/N	Description
34	1	041146-001	HEAD ASSY, SINGLE STAGE MANIFOLD
35	2	026642-004	SCREW, HEX HD TAPPING
36	1	029994-103	FTG, PP ELBOW, PLUG IN WHITE
37	1	030152-014-SP	TUBE, PE WHITE 48"
38	1	041145-001	FILTER CARTRIDGE, VERSAFILTER III
39	1	030152-046-SP	TUBE, PE WHITE 38"
40	1	041410-002	FRAME ASSEMBLY

## Section 5: Parts Breakdown

**Accessories:**

**Vandal resistant screw kit:** P/N 036704-001, includes torx bits and replacement screws.

**Gasket, Sunroc/Haws :** P/N 036689-101: (replaces item 2) KIT P/N 036752-001

**Gasket Adapter Elkay/Halsey Taylor** P/N 041114-001

P/N 030099-570 Rev. G Date: 10/2022

© 2022 LVD Acquisition, LLC

Oasis, Aqua Pointe, Versacooler and VersaFiller are registered trademarks of LVD Acquisition, LLC dba Oasis International

Haws is a registered trademark of HAWS Corporation.  
Elkay and Halsey Taylor are registered trademarks owned or licensed by Elkay Sales Inc. and/or its parent Elkay Manufacturing Company



OASIS INTERNATIONAL  
222 East Campus View Blvd.  
Columbus, OH 43235  
614-861-1350  
[www.oasiscoolers.com](http://www.oasiscoolers.com)