



# Technical Sheet

## Free-Standing Heavy Duty

- PLF7P
- PLF13P
- PLF13PL

### Suggested Specification

Model PLF7P shall deliver 7.0 gph of 50°F water at 90°F ambient and 80°F inlet water per ASHRAE 18. Model PLF13P and PLF13PL shall deliver 13.3 gph of 50°F water at 90°F ambient and 80°F inlet water. Model PLF13PL is 30 5/6" tall for the convenience of children. Bubbler shall have flexible guard and lever handle shall activate water flow. Bubbler shall provide smooth steady water flow by means of integral regulator that operates from 20 to 100 PSI supply pressure. Cooling system shall use R-134a refrigerant. Cabinet finish shall be Greystone powder coated galvanized steel (standard finish) or stainless steel. Shall be listed by Underwriters Laboratories to US and Canadian standards. Shall comply with NSF/ANSI 61 and NSF/ANSI 372.

### Models

- PLF7P delivers 7 gph of chilled drinking water
- PLF13P delivers 13.3 gph of chilled drinking water.
- PLF13PL is 30 5/16" high for the convenience of children, and delivers 13.3 gph of chilled drinking water.

### Standard Features

- Waterways are Lead-Free in materials & construction
- Bubbler with activation lever and flexible bubbler guard
- Stainless Steel Top
- Heavy-gauge steel cabinet with separate base
- High-efficiency cooling tank and coil

### Finishes

- Standard cabinet finish: Greystone powder coated paint on galvanized steel
- Optional finishes: Sandstone powder coated paint; Stainless steel (at additional cost)

### Installation

- Prior to roughing-in consult with local, state, and federal codes
- Shipped with complete instructions

### Options

- Glass Filler - Push Handle (029603-004)
- 035946-001-SP required for Field Installation of glass fillers
- Foot pedal operated
- 026645-014 Foot pedal for PLF7P, PLF13P
- 026645-013 Foot pedal for PLF13PL



### Limited 5-Year Warranty

(Continental limits of the United States and Canada) Five years on the sealed refrigeration system and most component parts. Detailed warranty certificate enclosed with each water cooler; sample available upon request.

### Export Warranty

One year on components parts. Detailed warranty certificate enclosed with each drinking fountain; sample copy available upon request.

### Certifications/Compliance

- Certified to UL 399 and CAN/CSA C22.2 No.120 (electric water coolers only)
- Product Certified to NSF/ANSI Standard 61-G & 372 and conforms with the lead content requirements for "Lead Free" plumbing as defined by California, Vermont, Maryland, and Louisiana state laws and the U.S. Safe Drinking Water Act



**WARNING:**  
Cancer and Reproductive Harm  
[www.P65Warnings.ca.gov](http://www.P65Warnings.ca.gov)

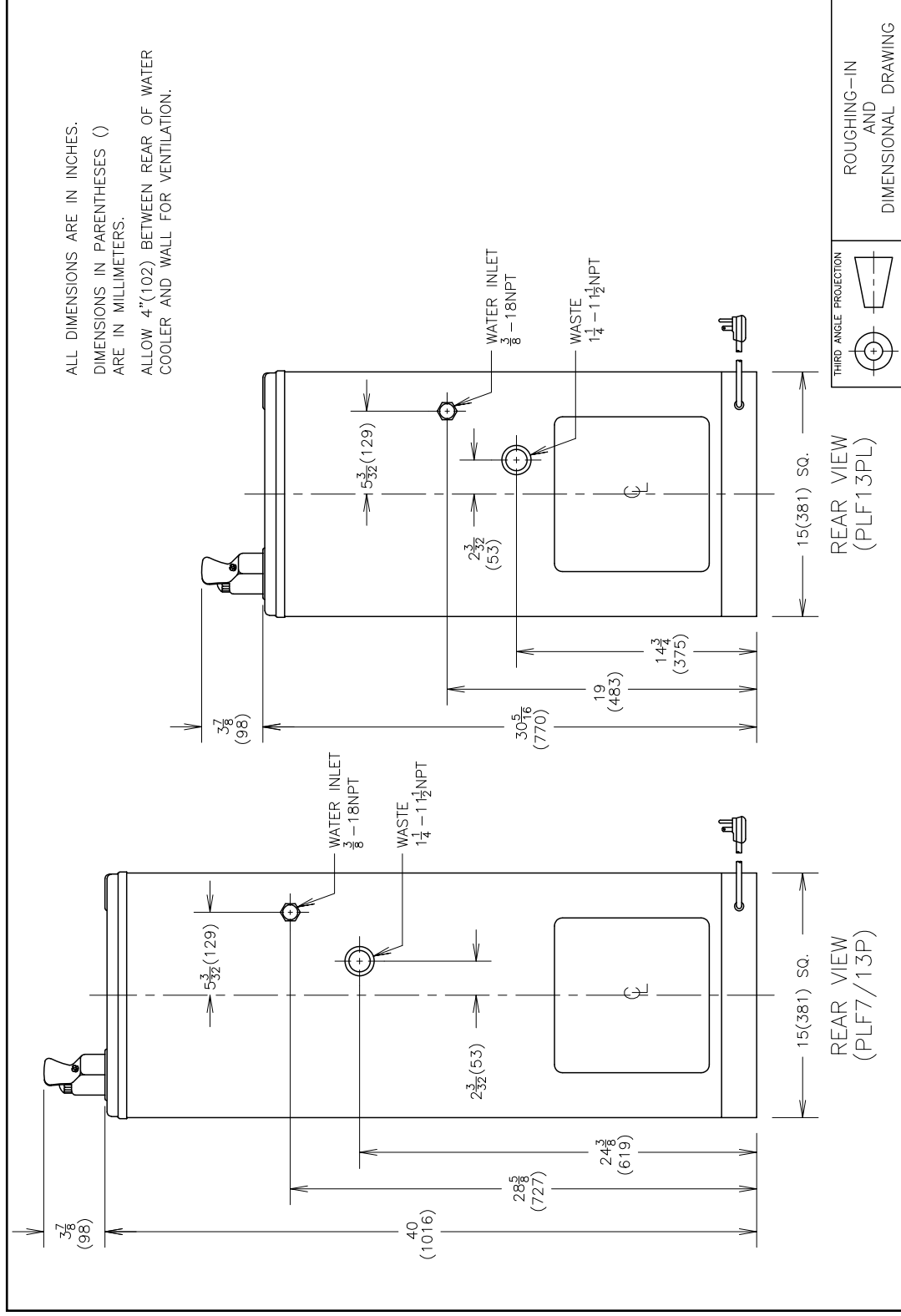


Model	50° F Drinking Water 90° F Ambient Air Temp*			Hot'N Cold™ Model	115 Volts, 60 HZ			Glass Filler Acc. Option	Cabinet Color Finish	Net Wt. Approx.
	Rated Capacity GPH	Base Rate GPH	Pre-Cooler		Compr. HP	Full Load Amps	Rated Watts			
PLF7P	7.0	3.5	Yes	No	1/4	4.4	440	Yes	Yes	73 Lbs.
PLF13P	13.3	7.0	Yes	No	1/4	4.4	440	Yes	Yes	80 Lbs.
PLF13PL	13.3	7.0	Yes	No	1/4	4.4	440	Yes	Yes	70 Lbs.

\*Industry standard rating condition 80° F inlet water temperature

Specifications subject to change without notice

# OASIS® FREE-STANDING HEAVY DUTY



OASIS INTERNATIONAL

222 East Campus View Blvd.  
Columbus, OH 43235

[www.oasiscoolers.com](http://www.oasiscoolers.com)

1-800-646-2747

OASIS is a registered trademark of LVD Acquisition, LLC dba Oasis International, © 2020 LVD Acquisition AS0043-F-2003