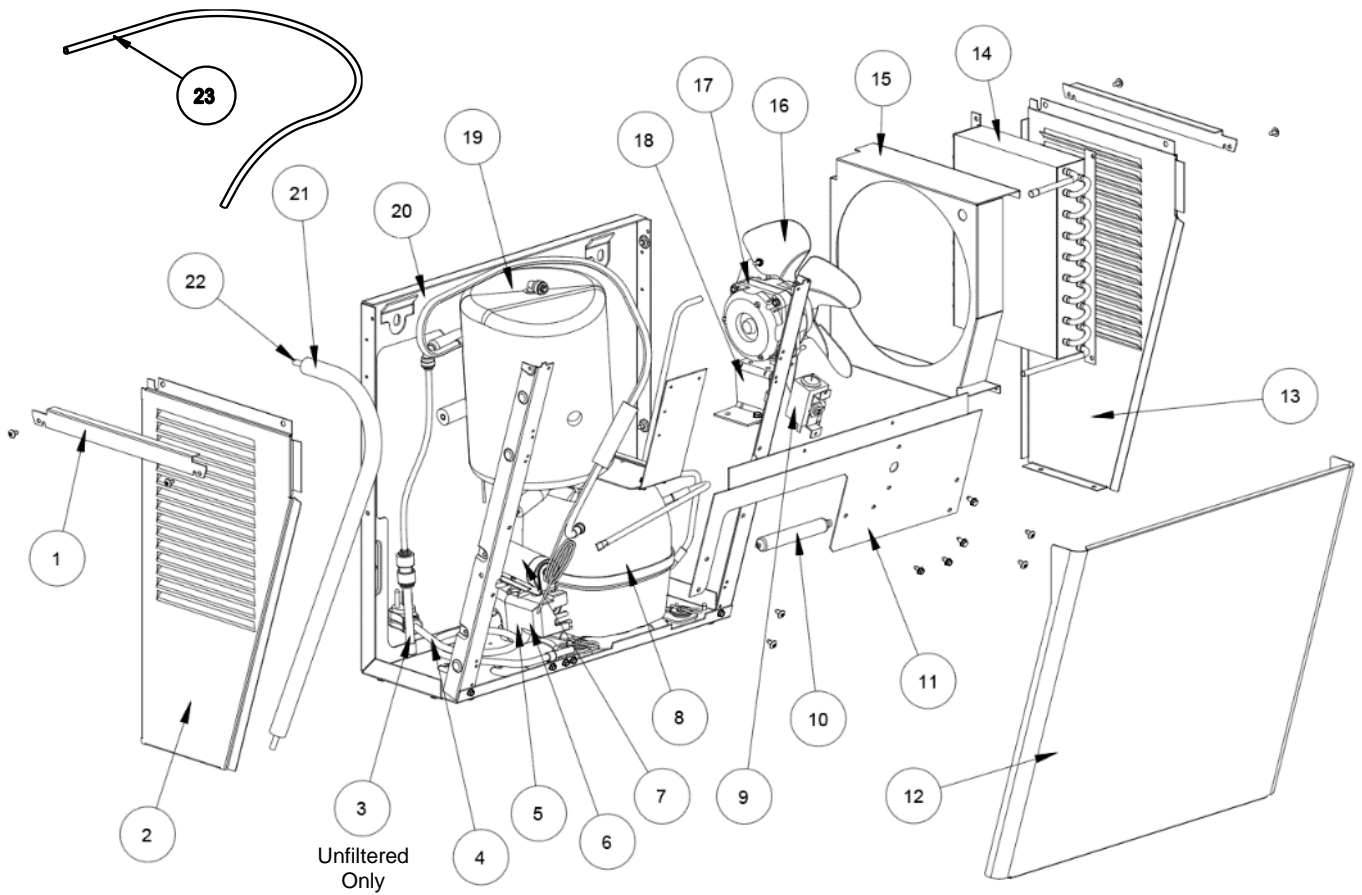


Item	QTY	P/N	Description
1	1	041245-004	Frame
2	1	041250-001	Panel, Front
3	1	041241-001	Panel, Filter
4	1	041238-006	Wrapper
5	2	A020967	1-1/2" Elbow, W/ Nuts, 1-1/4"
6	4	039043-001	Washer, Slip 1-1/2" to 1-1/4"
7	1	036010-002	Waste Tube 6.13"
8	1	036010-013	Waste Tube 16.63"
9	1	041243-002	Bracket, Center
10	1	18541	Clamp, Strain Relief
11	1	026642-003	Screw, Hex HD Tapping #8 x 3/8"
12	1	026670-001	Screw, Hex HD Machine #8 x 3/8"
13	24	031875-003	Screw, Truss HD Tapping Torx #8
14	2	041242-002	Bracket, Side
15	1	042370-001	Cover, Front - ARF
16	1	041246-002	Bracket, Filter Support
17	1	041244-004	Bracket, ONN DT ARF
18	1	412372	Drip Tray, SurfM - ARF

Item	QTY	P/N	Description
19	1	042374-001	Grille, Drip Tray
20	3	026675-003	Screw, Flat HD Tapping
21	1	041207-001-SP	Power Cord Assembly
22	1	038036-003	Power Supply, 100-240VAC/12VDC
23	1	042369-001	Spout, ARF
24	1	041239-002	Panel, ONN Top
25	1	038030-002	Solenoid Valve 12VDC
26	1	038032-001	Flow Nozzle Assembly
27	1	038029-001	Adapter, Flow Nozzle Spout
28	1	029962-103	FTG, PP Reducing Elbow
29	1	017681-003-SP	Insulation, Sponge Tube 9"
30	1	030152-102-SP	Tube, PE Cut Length WHI 10"
31	1	038037-001	Lens, IR Bottle Filler
32	1	042065-001	PCB, IR Sensor
33	1	042067-001	Button Assy - EBF
34	1	042066-001	Ribbon Cable - EBF
35	1	042068-001	Assy, LED - EBF
36	1	042064-002	PCB, Main - ARF

For PGN8FEBF Only (Filtered Model)			
37	2	029994-103	FTG, PP Elbow Plug-In WHT
38	1	041146-001	Head Assy, Manifold w/Elbow Ftg.
39	1	030152-046-SP	Tube, PE 38" Long
40	1	030152-046-Sp	Tube, PE 38" Long
41	1	041145-001	Filter Cartridge, Versafilter III
42	1	041410-004	Filter Bracket Frame Assembly



Unfiltered
Only

ITEM	QTY	P/N	DESCRIPTION
1	2	041242-002	Bracket, ONN Side
2	1	035080-010	Panel, Side Left STN 430
4	1	026407-027	Elec CKT DWG W/Lead Wire P/NS
5	1	041234-001	Relay-PTC
6	1	041235-001	Overload
7	1	041336-001	Capacitor, Start 88-108UF
8	1	041233-001	Compressor Assy THK4430YAA
9	1	027040-039	Control, Cold
10	1	034343-003	Drier W/O Process Port
11	1	041243-002	Bracket, ONN Center

ITEM	QTY	P/N	DESCRIPTION
12	1	041250-001	Panel, ONN Front
13	1	035081-010	Panel, Side Right STN 430
14	1	031766-201	Condenser
15	1	031767-004	Shroud, Fan
16	1	038773-002	Blade, Fan
17	1	038813-001	Motor, Fan
18	1	036748-001	Bracket, Fan Motor
19	1	033469-063	Tank Assy, Insul
20	1	035089-001	Frame, Back/Bottom SA
21	1	017681-044-SP	Insulation, Sponge Tube 26"
22	1	030152-097-SP	Tube, PE Cut Length WHI 27"

For PGN8EBF Only

ITEM	QTY	P/N	Description
3	1	035504-010-SP	WATER LINE SA INLET

For PGN8FEBF Only

ITEM	QTY	P/N	Description
23	1	030152-021-SP	TUBE, PE CUT LENGTH WHI 24.0"