

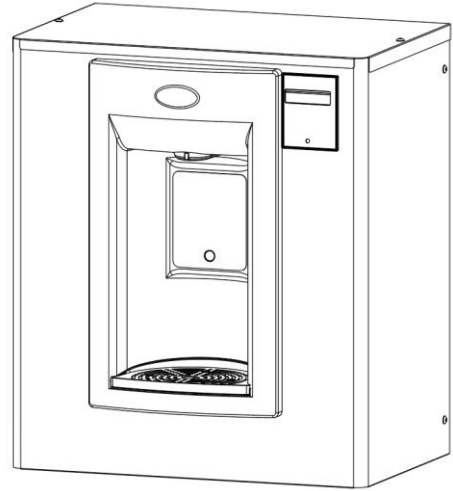
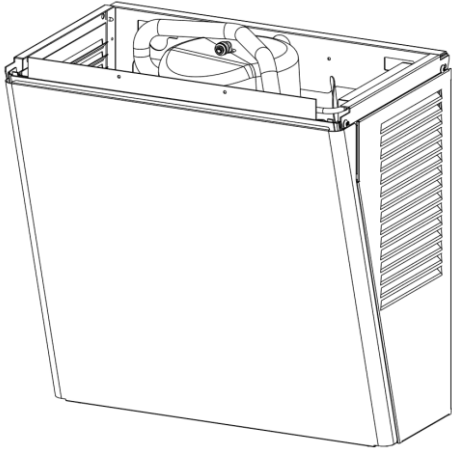
PGN8EBF

Wall Mounted Refrigerated Bottle Filler

INSTALLATION INSTRUCTIONS

Section 1: Getting Started

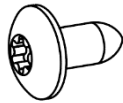
What's Included:



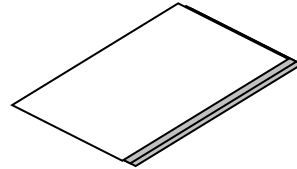
Drainpipe
x2



Drain Elbow
x2



T15 Torx Screws
x2



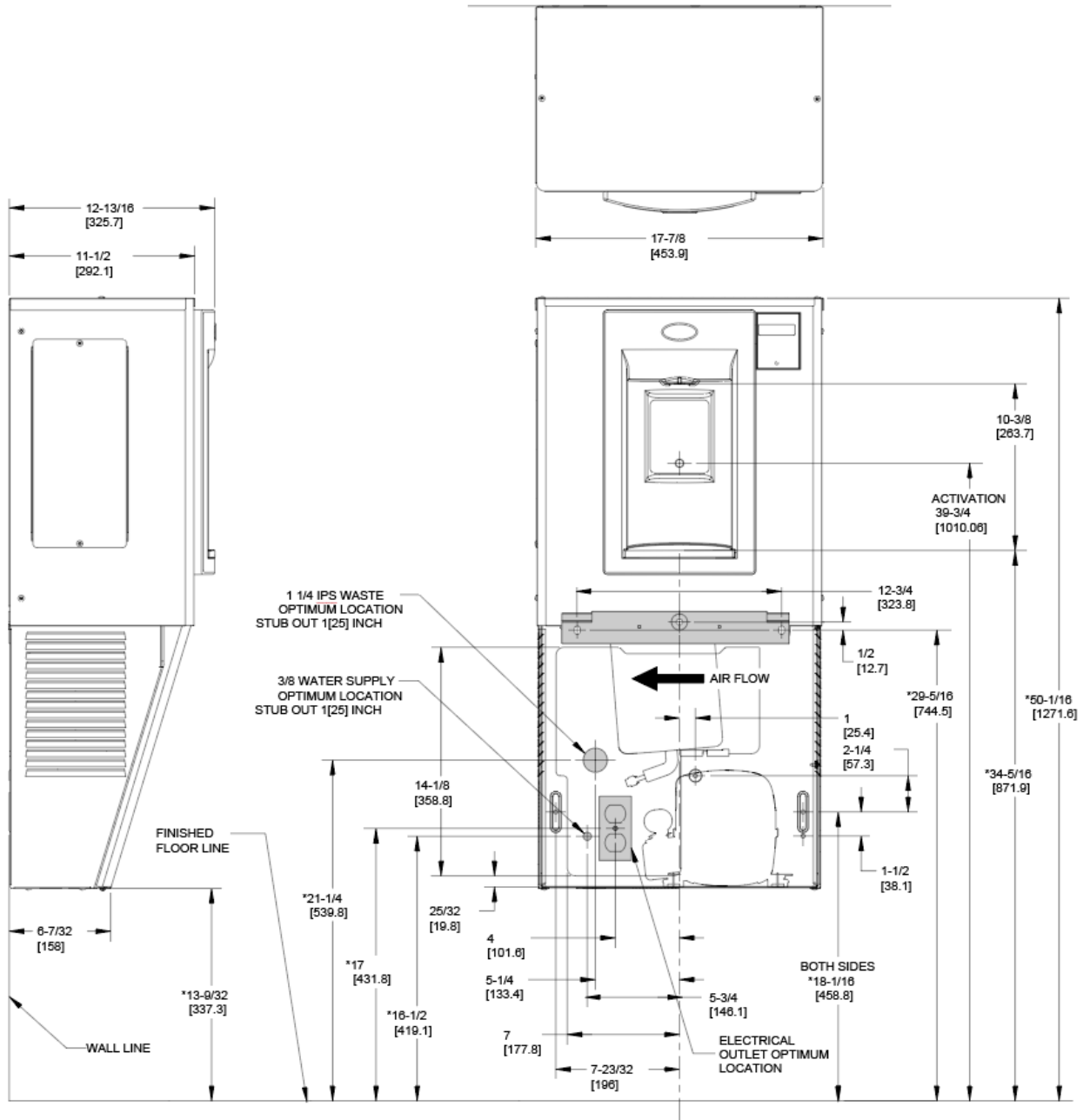
Installation
instructions

Tools & Hardware Required:

- Electric drill/driver
- Small tubing cutter for plastic line
- 1/4" nut driver
- Means to cut 1-1/4" drain pipe
- T15 Torx screwdriver and bit
- 4 appropriate anchors (not supplied)

Section 2: Single Level Rough-In Drawing

PGN8EBF:



NOTES:

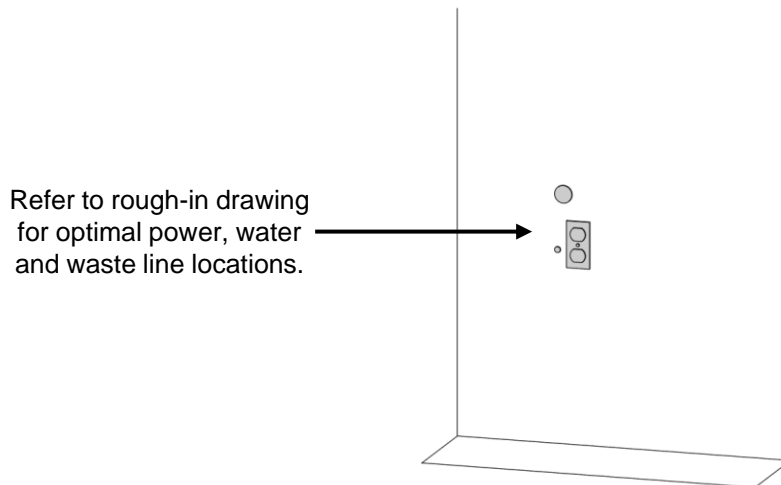
1. TRAP, STOP VALVE AND ELECTRICAL OUTLET NOT FURNISHED.
2. ALLOW 4 INCHES [102MM] MIN. PER SIDE FOR VENTILATION.
- * 3. RECOMMENDED ADULT BARRIER FREE HEIGHT INSTALLATION SHOWN. REDUCE HEIGHT BY 3 INCHES FOR INSTALLATIONS USED PRIMARILY BY CHILDREN AGES 12 AND YOUNGER. UNIT SHALL ALSO HAVE A MINIMUM CLEAR FLOOR SPACE 30[760] BY 48[1220]. ADJUST VERTICAL DIMENSIONS AS REQ'D TO COMPLY WITH FEDERAL, STATE, AND LOCAL CODES.
4. ALL DIMENSIONS ARE IN INCHES. DIMENSIONS IN BRACKETS [] ARE IN MILLIMETERS.

Section 3: Preparation

Read these instructions before installing the unit.

1. Inspect the carton and water cooler for evidence of rough handling and concealed damage. Damage claims should be filed with the carrier.
2. Locate and install plumbing and electrical service, if required, in accordance with Roughing-in Drawing. **See page 3.**

Note: The following states require a licensed plumber to install cooler; AR, GA, MA, MI, OK, RI, SC, SD, TX, VT and WI. CA, KS, MN, NM and OR allow for a state-registered installer or contractor as well. State and local plumbing codes may prohibit the use of saddle tapping valves for water line connection in some applications. All connections must conform to applicable plumbing codes.

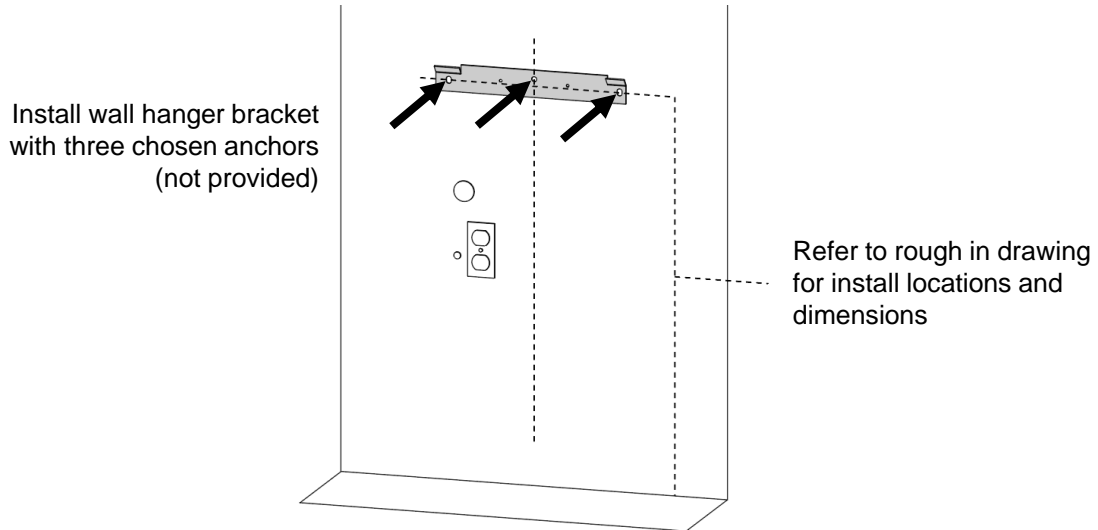


3. This drinking water cooler is designed to be operated at a water supply line pressure of up to 100 psi (690 kPa). A pressure regulator must be installed in front of units water inlet if water pressure (including any possible pressure spikes) could exceed 100 psi (690 kPa).
4. Check available power supply against the water cooler data plate to assure correct electrical service. This drinking water cooler is intended to be connected to a 20A minimum ground fault circuit interrupting (GFCI) device to meet UL requirements. The rear most 1-3/8" diameter knockout in frame bottom is for an externally located electrical supply. Make sure knockout hole edge is smooth and free of any burrs. Use of a Heyco bushing #2184 in knocked out hole is recommended in order to prevent damage to service cord and to close up excess opening around cord. Route cord so it does not interfere with ADA space requirements.

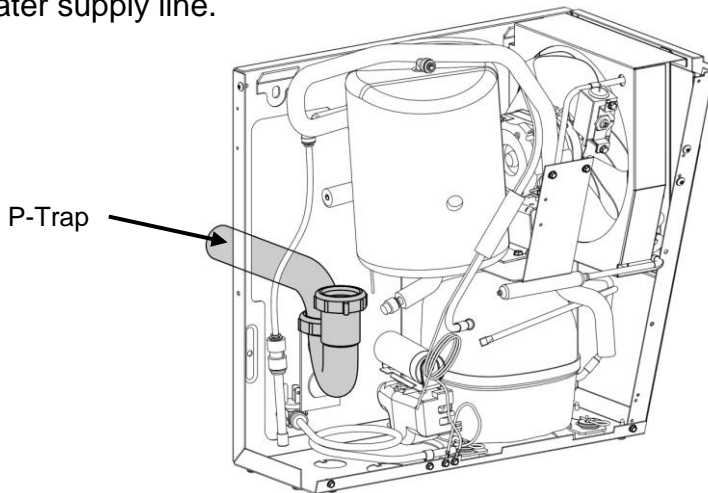
CHILLER INSTALLATION

Section 4: Chiller Installation

1. Install the wall hanger onto the wall according to the rough-in drawing. **See page 3.** The Wall hanger is shipped fastened to the back of the chiller unit.



2. Once the chiller unit is hung on the wall, Install a p-trap in the waste line and a shut off valve in water supply line.



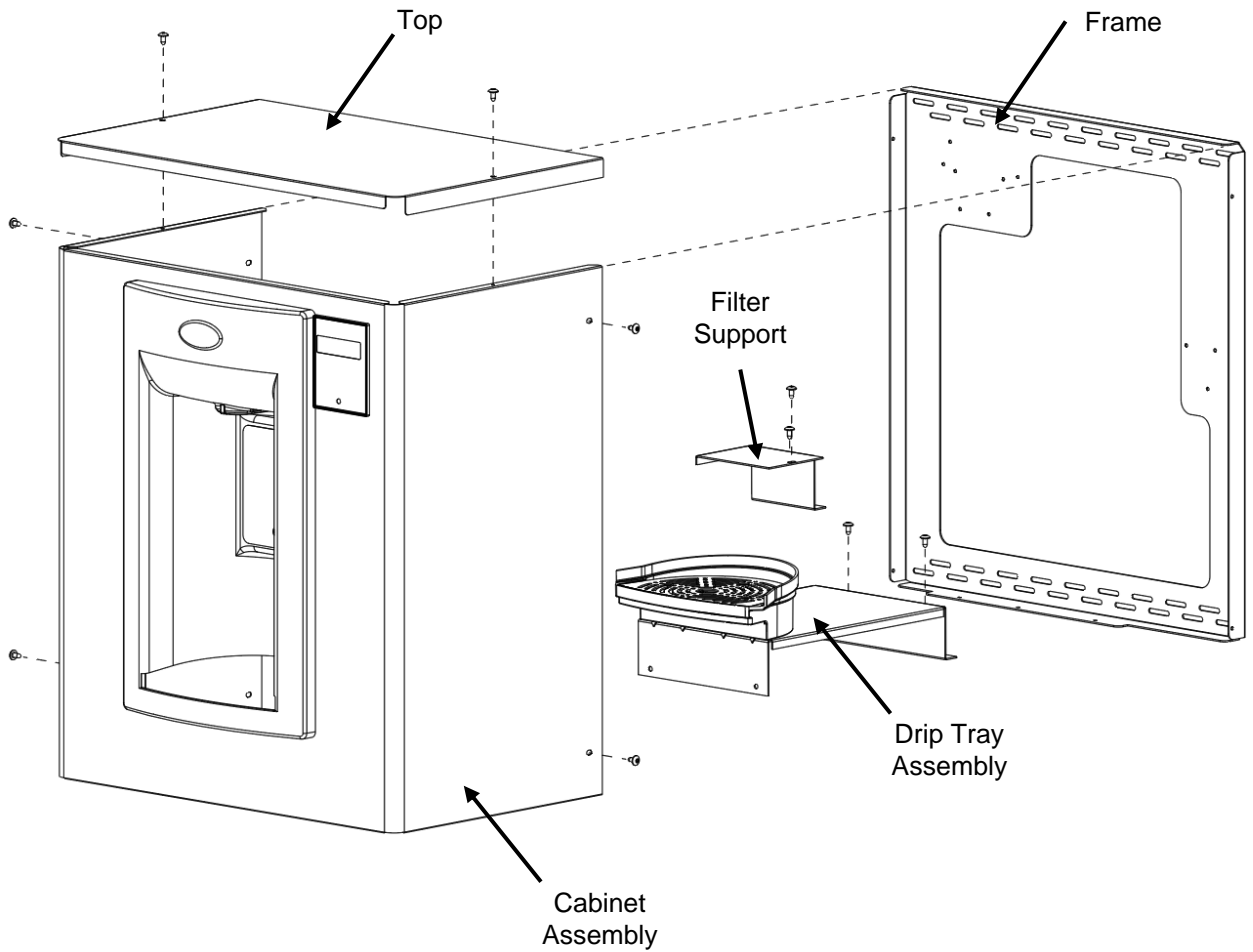
3. An in-line strainer is furnished in "Water Supply" tube. Connect "Water Supply" tube to shut-off valve. **NOTE:** This connection should not be a solder joint or flare connection to allow access to the strainer for service. Using one of the 1-3/4" diameter knockouts for a waste line is not recommended because of a potential conflict with ADA toe space clearance requirements. Check your local building code inspector for approval.
4. Rotate fan blade by hand to see that it is free of obstructions.
5. Leave the front panel off for the Bottle Filler installation.

BOTTLE FILLER INSTALLATION

Section 4: Installation

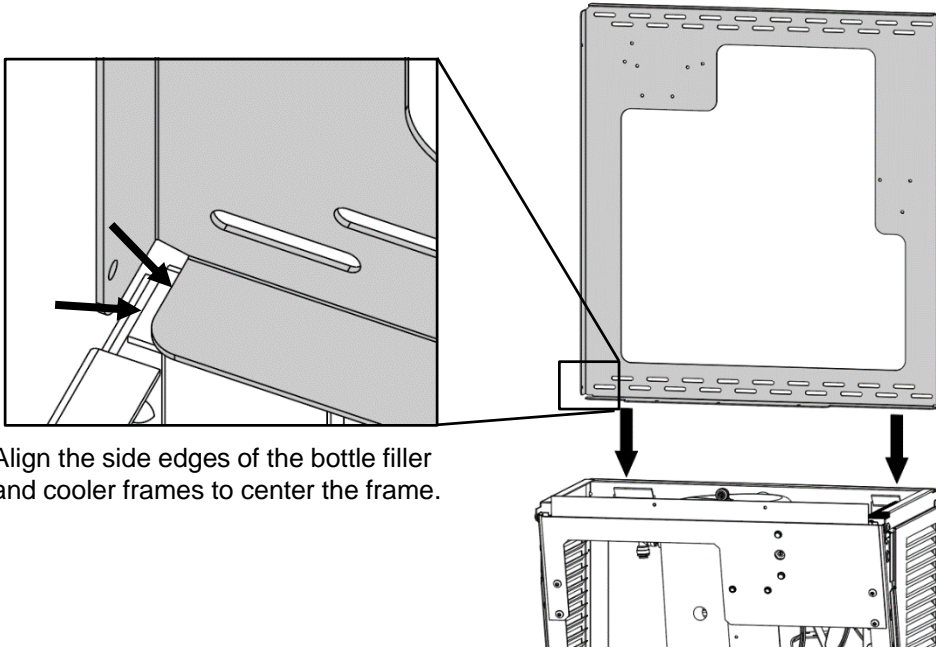
1. The PGN8EBF comes partially assembled for shipping. Remove the kit from the packaging and separate it into the assemblies and components shown below.

Tool Needed: T15 Torx bit



Section 4: Installation

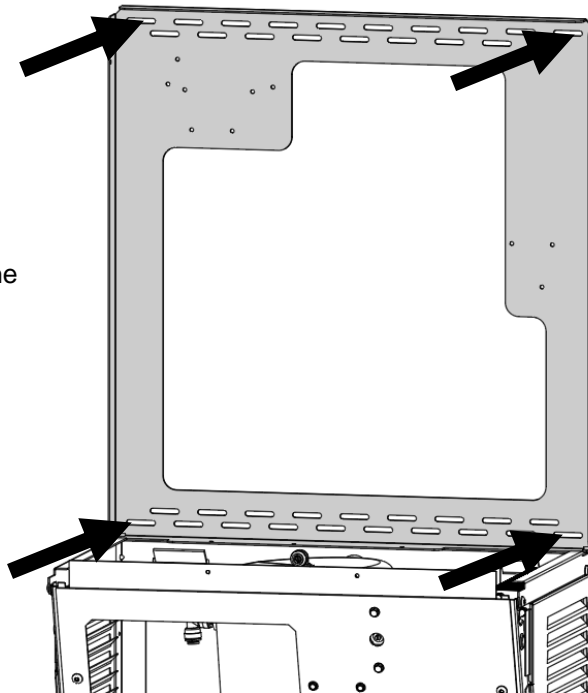
2. Place the bottle filler frame against the wall and set it onto the top flange of the chiller frame.



Align the side edges of the bottle filler and cooler frames to center the frame.

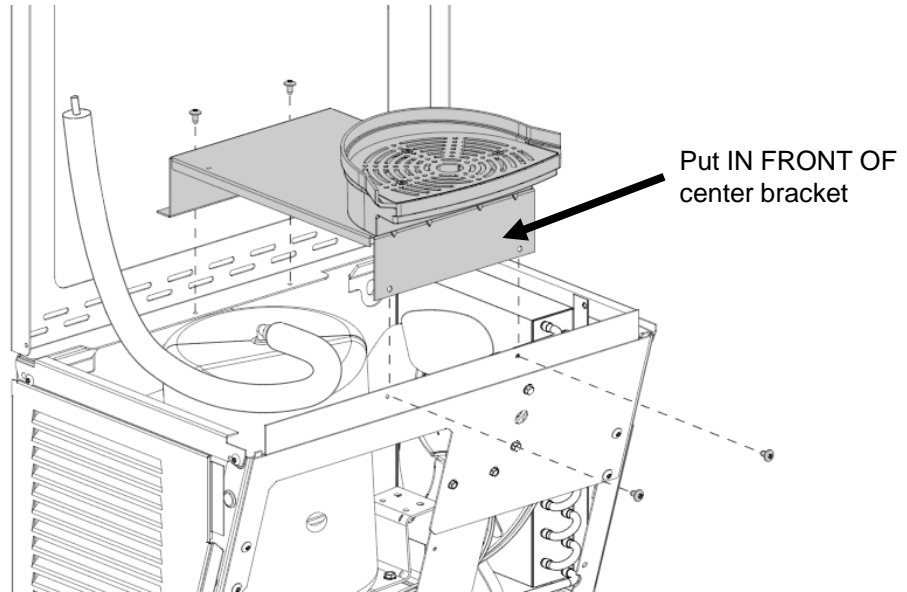
3. Affix the frame to the wall with at least 4 anchors into any appropriate anchor points through the staggered slotted holes. **Be careful to ensure the frame stays centered on the cooler frame.**

Choose a minimum of 4 anchors appropriate for the surface the unit is being mounted to. Anchors are not provided.

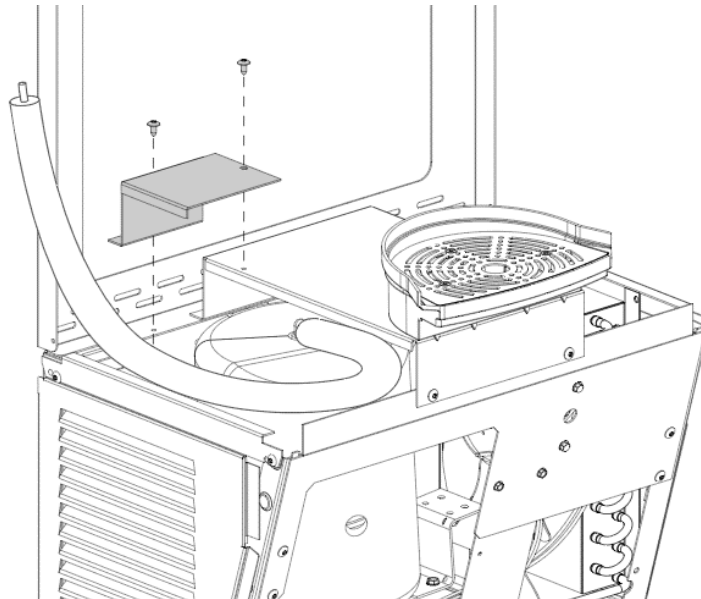


Section 4: Installation

4. With 4x T15 Torx screws, assemble the drip tray assembly to the center bracket and wall frame.



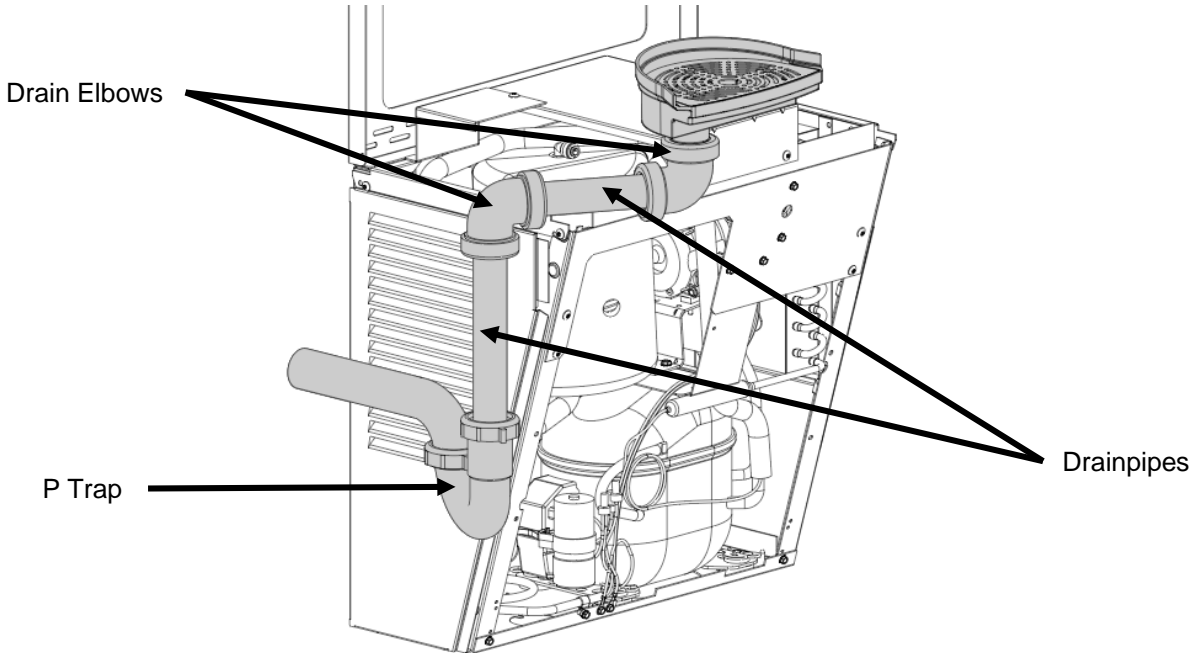
5. Attach the filter support bracket with 2x T15 Torx screws to the frame and drip tray support bracket. This bracket helps to prevent the filter cartridge from falling into the cooler unit below during installation or replacement.



Section 4: Installation

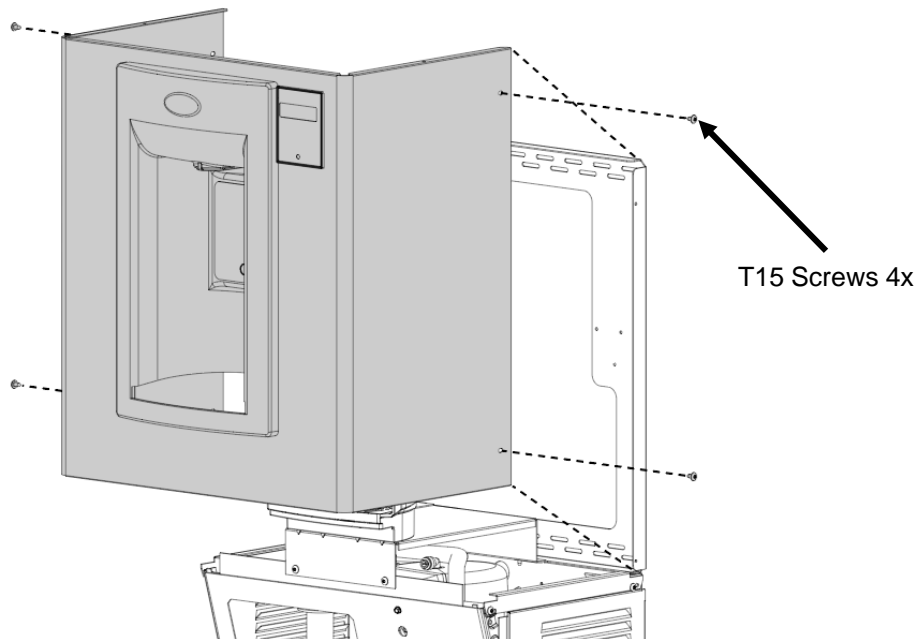
6. Attach one of the drain elbows to the drip tray stem. Insert the drainpipe provided into the elbow and then attach another elbow onto the pipe. Use the remaining drainpipe and connect the drip tray drainage system to the installed P-trap.

NOTE: Drainpipes will need to be positioned and cut to length as needed.



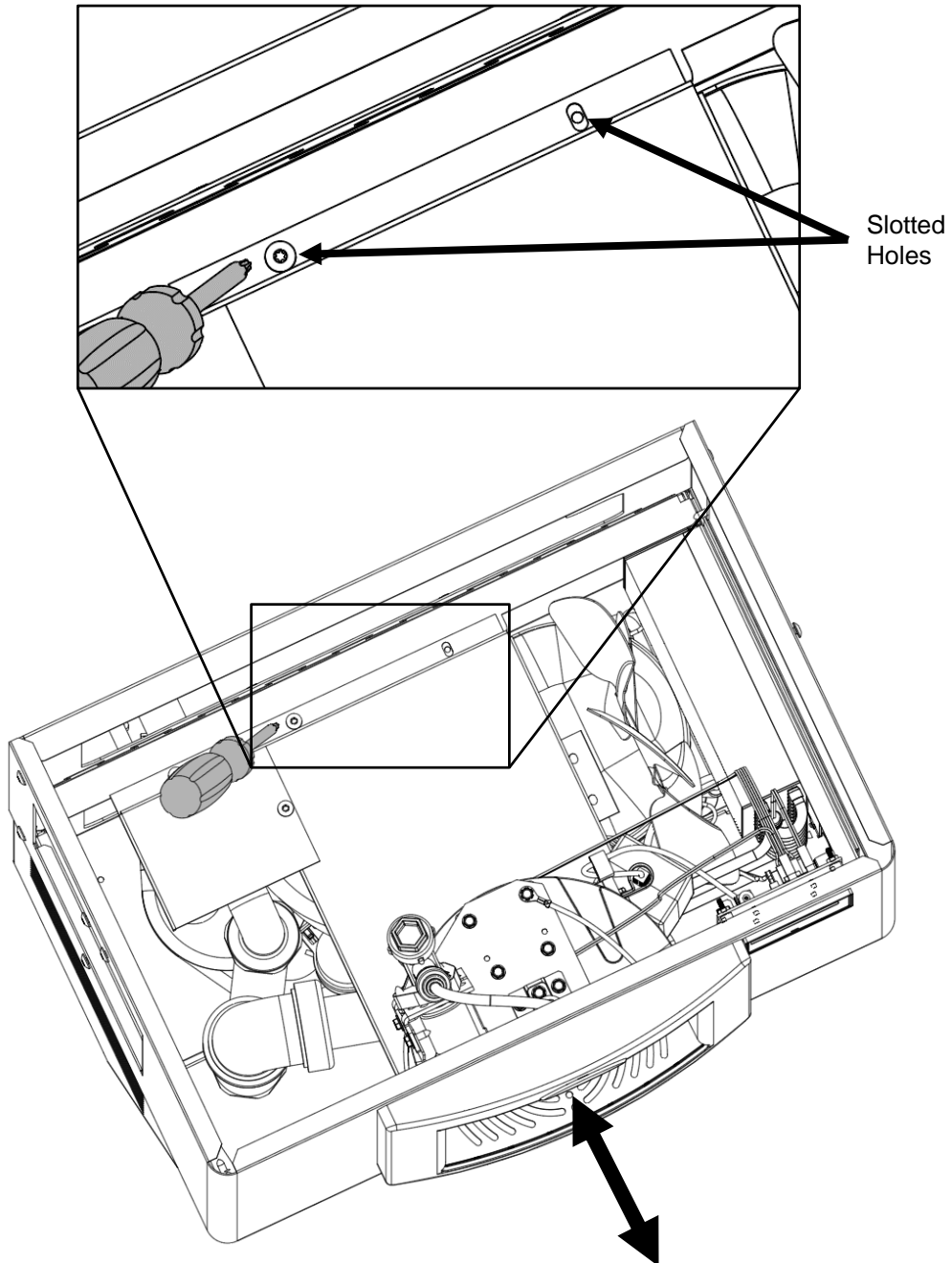
7. Assemble PGN8EBF wrapper to the installed frame. Rest the alcove on the drip tray and ensure the wrapper walls rest OUTSIDE of the frame and side brackets.

NOTE: The drip tray will hold the weight of the wrapper but it is recommended to keep a hold on the unit during installation for safety.



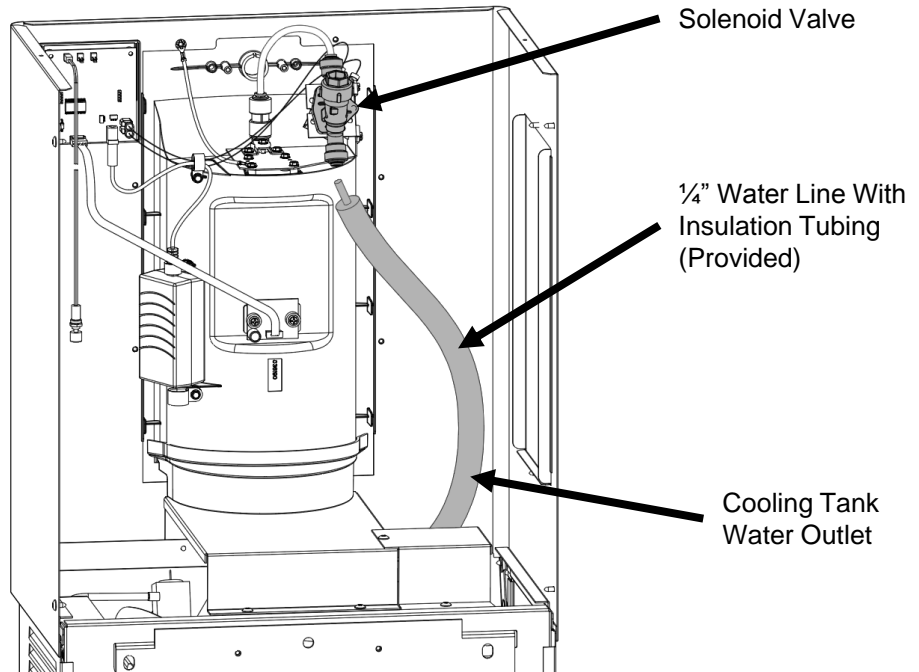
Section 4: Installation

8. If the outer edge of the drip tray is not properly aligned, loosen the screws mounting the filter support and drip tray bracket to the frame and push forward or back as needed. Then retighten the screws.

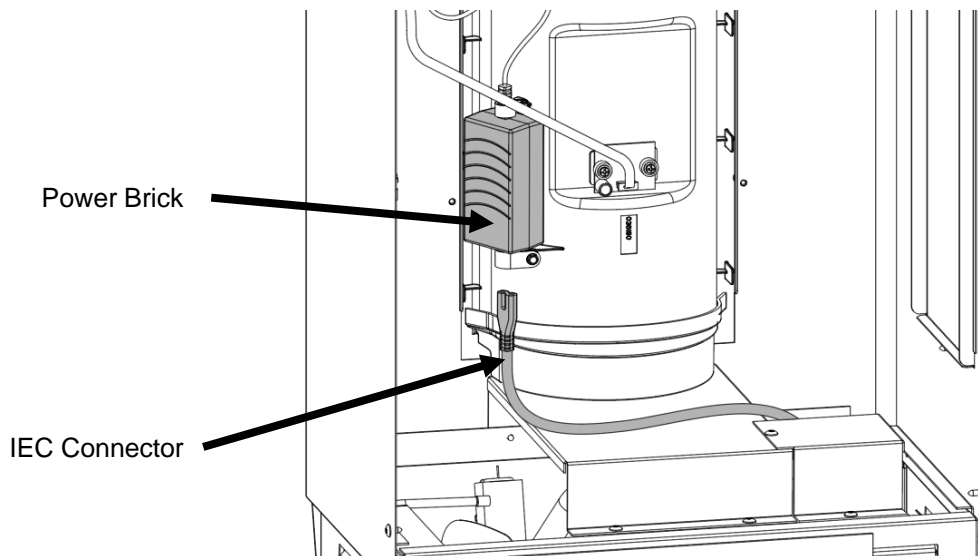


Section 4: Installation

9. Route the insulated cold water-out line up into the bottle filler cabinet and connect it to the solenoid valve located above the alcove.

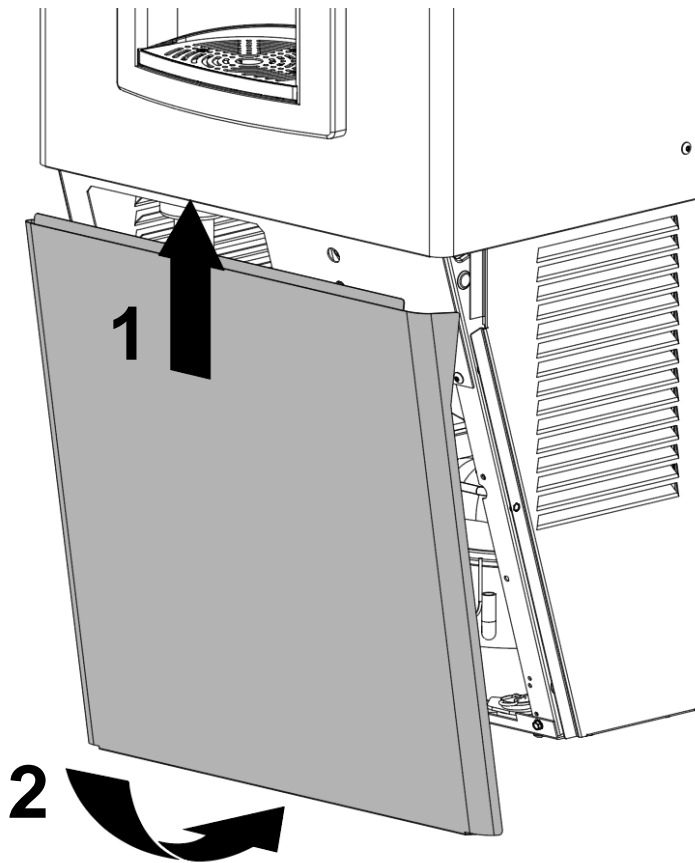


10. Connect the IEC connector to the power brick located behind the alcove of the bottle filler. It is recommended to route the power cord from side opposite of the condenser fan to ensure it does not become an obstruction.



Section 4: Installation

11. Complete the installation by turning on the water source and checking for leaks.
12. Ensure nothing is obstructing the fan blade. Plug the power cord back into the wall outlet and then test to ensure the bottle filler is functioning properly.
13. Once the unit has been verified to be functioning properly, install the front cover panel by inserting the top flanch up between the wrapper and center bracket, then tipping the panel back to the fountain. Secure it with the 2x #8 hex screws at the base of the unit.



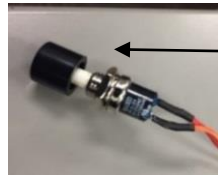
14. Complete the installation by installing the Bottle Filler top and filter Access Panels.

Section 5: Set-Up Guide For OASIS® Hands-Free Bottle Filler Electronics

•Factory default program settings are:

- Units - Gallons
- Unfiltered unit
- Flow Meter = Rate Selected
- Filter Capacity = 1250 gallons [4731 liters]
- Bottle Count = 0.5L (1 Bottle)
- Flow Rate = 1.2 GPM
- 20 second maximum dispense time

•For each model top cap will need to be set aside until programming is complete. Remove top cap by unscrewing two (2) T15 torx screws if needed. Remove wire tie bundling pushbutton inside bottle filler and feed it through hole in cooler top. You can then adjust program using pushbutton through access panel of cooler.

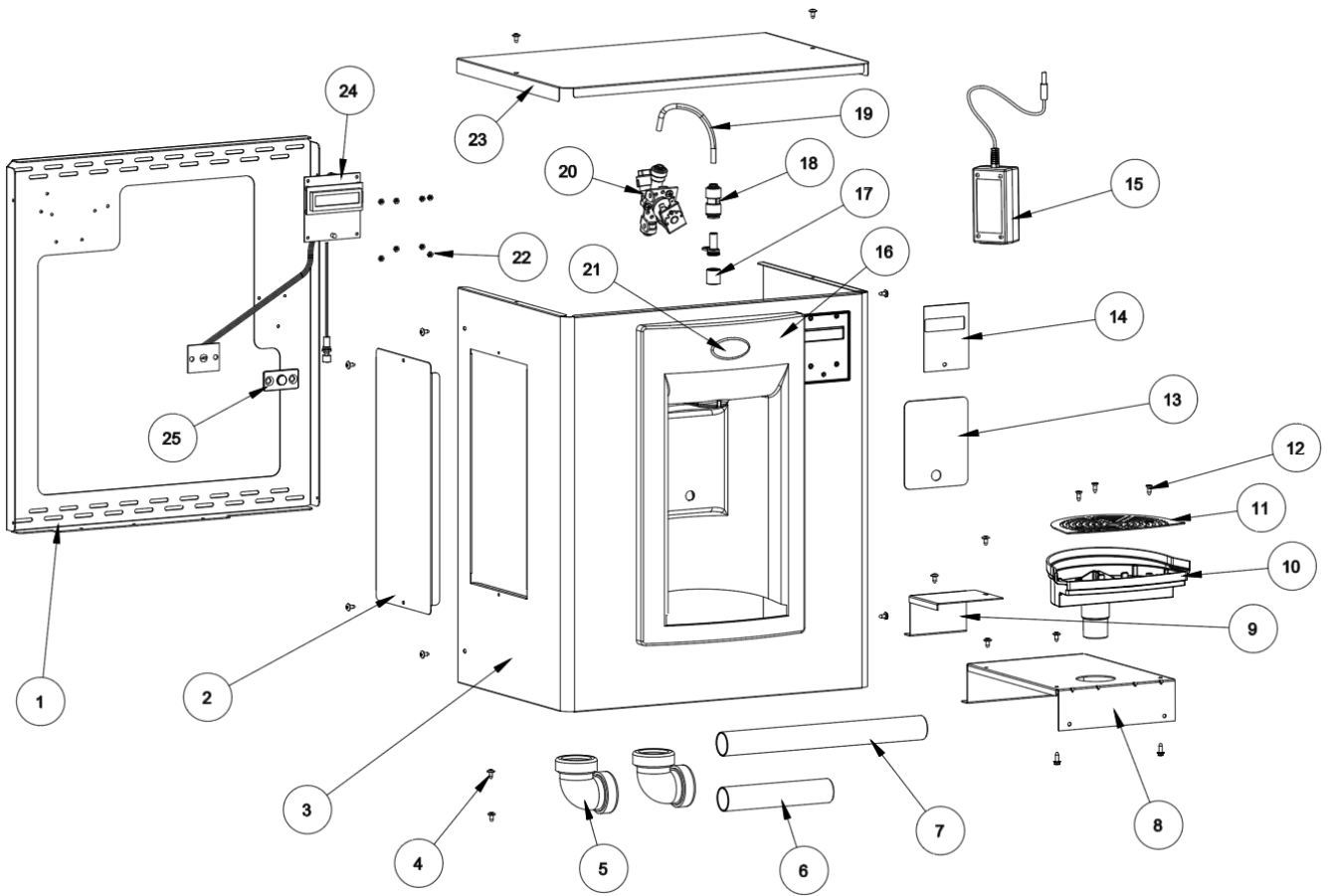


•Pushbutton

•To change the program settings, follow these steps:

<u>Display</u>	<u>Action</u>
000000000 BOTTLES REUSED (Home Screen)	Depress button for 3 seconds to enter into the following menu settings and make changes. Note: at anytime it will exit menu and save settings when idle for 10 seconds (no button press) and revert back to Home Screen.
LTR/GAL GAL	Depress button 3 seconds to change from Gallons to Liters, or momentary press to advance to next menu.
UNFILT/FILT? UNFILT UNIT	Depress button 3 seconds to change from Unfiltered to Filtered unit, or momentary press to advance to next menu.
FLOW METER? RATE SELECTED	Depress button 3 seconds to change from Rate Selected to (Flow) Meter Enabled, or momentary press to advance to next menu.
SELECT RATE 1.2 GPM UNIT	To change flow rate, momentarily depress button to change whole gallon digit. Hold button 3 seconds to advance to TENTHS of gallon digit. Depress momentarily to change the digit. Hold button 3 seconds to advance to the next menu.
RESET 00000000 GALLON CNT [LTR COUNT]	Depress button for 3 seconds to reset Gallon or Liter count, or momentary press to advance to next menu.
FILT CAPAC OF 1250 GAL [4731 LTR]	Depress button for 3 seconds to change filter capacity to 3000 GAL [11355 liters] for Galaxi green filter, or momentary press to advance to next menu.
3 sec rule? 0.5L	Depress button for 3 seconds to switch from 0.5L bottle to 3 sec rule, or momentary press to advance to next menu. (The 3 Sec rule increases the bottle count based on a 3 second dispense.)
Reset 00000000 BOT COUNT?	Depress button for 3 seconds to reset (Home Screen) BOTTLES REUSED count, or momentary press to advance to next menu.
Bot Filler Set_time: 20 s	Depress button for 3 seconds to change maximum dispense time to 10, 20 or 30 seconds, or momentary press to advance to next menu.
RUN CAL AGAIN?	Depress button 3 seconds to run calibration again, or momentary press to advance to next menu.

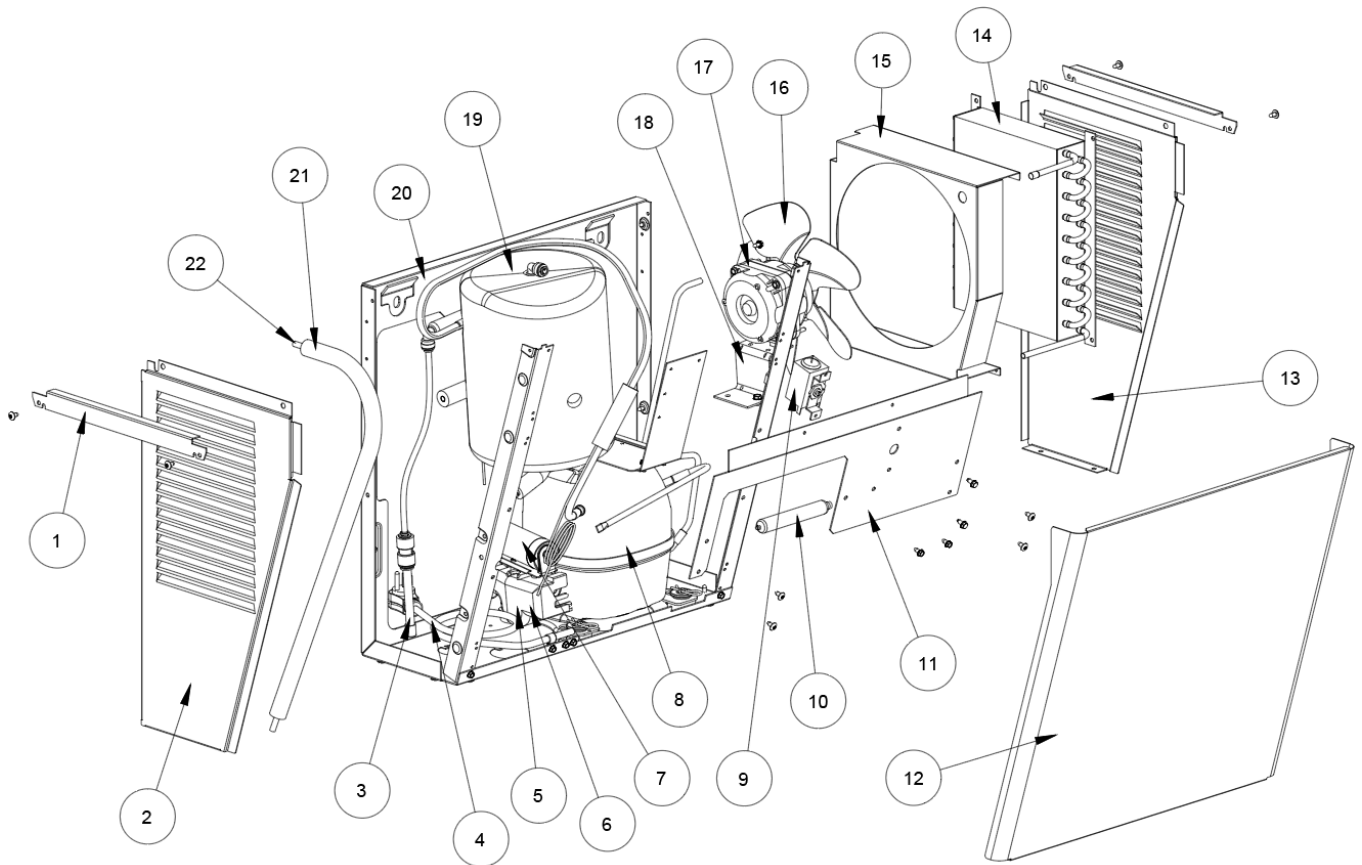
Section 6: Bottle Filler Parts Breakdown



ITEM	QTY	P/N	DESCRIPTION
1	1	041245-002	Frame
2	1	041241-001	Panel, NN Filter
3	1	041238-002	Wrapper
4	2	031875-003	Screw, Truss HD Tapping
5	2	A020967	1 1/2" Elbow, W/Nuts, 1 1/4"
6	1	036010-002	Waste, Tube
7	1	036010-013	Waste, Tube
8	1	041244-002	Bracket, Drip Tray
9	1	041246-002	Bracket, Filter Support
10	1	036192-001	Drain, MSBF Short
11	1	036192-001	Grille, Bottle Filler Drain
12	3	026675-003	Screw, Flat HD Tapping
13	1	038031-006	Label, Alcove Sensor

ITEM	QTY	P/N	DESCRIPTION
14	1	038031-005	Label, LCD Bezel
15	1	038036-003	Power Supply, 100-240VAC/12VDC
16	1	036190-003	Alcove, EBF
17	1	038032-001	Flow Nozzle
18	1	028668-101	FTG, PP Reducing Union
19	1	030152-009-SP	Tube, PE White 7.5"
20	1	038030-002	Solenoid Valve 12VDC
21	1	031434-014	Nameplate, OASIS
22	1	026824-026	Nut, Hex Nylon
23	1	041243-002	Panel, Top
24	1	038026-002	Electronics ASSY, IR/LCD
25	1	038027-001	Lens, IR Bottle Filler

Section 7: Chiller Parts Breakdown



ITEM	QTY	P/N	DESCRIPTION
1	2	041242-002	Bracket, ONN Side
2	1	035080-010	Panel, Side Left STN 430
3	1	026794-014	Tube, Straight
4	1	026407-027	Elec CKT DWG W/Lead Wire P/NS
5	1	041234-001	Relay-PTC
6	1	041235-001	Overload
7	1	041336-001	Capacitor, Start 88-108UF
8	1	041233-001	Compressor Assy THK4430YAA
9	1	027040-039	Control, Cold
10	1	034343-003	Drier W/O Process Port
11	1	041243-002	Bracket, ONN Center

ITEM	QTY	P/N	DESCRIPTION
12	1	041250-001	Panel, ONN Front
13	1	035081-010	Panel, Side Right STN 430
14	1	031766-201	Condenser
15	1	031767-004	Shroud, Fan
16	1	038773-002	Blade, Fan
17	1	038813-001	Motor, Fan
18	1	036748-001	Bracket, Fan Motor
19	1	033469-063	Tank Assy, Insul
20	1	035089-001	Frame, Back/Bottom SA
21	1	017681-044	Insulation, Sponge Tube 26"
22	1	030152-097	Tube, PE Cut Length WHI 27"

Section 8: Maintenance and Decommissioning

Maintenance

1. Inspection of condenser should be made at 3-month intervals. To remove dirt and lint from condenser, disconnect power supply cord, then use small stiff non-wire or vacuum cleaner attachment brush. Observance of this procedure will ensure adequate air circulation through condenser so operation is efficient and economical.
2. Outside of unit can be wiped clean with mild soap and water mixture. Never use harsh chemicals or abrasive cleaners, including any chlorine solutions. Rinse thoroughly with clean water, then dry surfaces.

Overload Protection

The compressor motor, where used, is equipped with an automatic reset protector which will disconnect the motor from the line in case of an overload.

Lubrication

This unit is equipped with a hermetically sealed compressor and requires no additional lubrication. The fan motor, where used, on this unit seldom needs oiling, but if required, a few drops of SAE 10 oil should be used.

To Discontinue use of Water Cooler

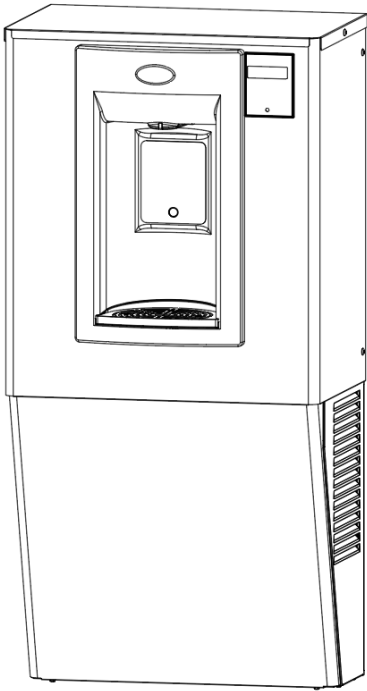
1. Close water shut-off valve and disconnect power to the **CHILLER**.
2. Provide container to catch water to be drained and place under the cold tank drain.
3. Remove the drain plug from the drain tube.
4. Actuate the bottle filler and allow the water to drain into the bucket. Replace drain plug.
5. Disconnect power to the **BOTTLE FILLER**.
6. Disconnect the water supply line at the shut-off valve.

WARNING

The warranty and the Underwriters' Laboratory Listing for this machine are automatically voided if this machine is altered, modified, or combined with any other machine or device. Alteration or modification of this machine may cause serious flooding and/or hazardous electrical shock or fire. EXCEPT AS SET FORTH HEREIN, THE MANUFACTURER MAKES NO OTHER WARRANTY, GUARANTEE OR AGREEMENT EXPRESSED, IMPLIED OR STATUTORY, INCLUDING ANY IMPLIED WARRANTY OR MERCHANTABILITY OR FITNESS FOR A PARTICULAR PURPOSE.

Wall Mounted Refrigerated Bottle Filler

Installation Instructions



P/N 030099-670 Date: 05/2021
© 2021 LVD Acquisition, LLC

Oasis is a registered trademark of LVD Acquisition, LLC dba
Oasis International


OASIS INTERNATIONAL
222 East Campus View Blvd.
Columbus, OH 43235
614-861-1350
www.oasiscoolers.com