



TOUCH FREE VERSACOOLER® II WITH VERSAFILTER

Energy and Water Conservation Technology

PGF8ACT, PGFACT

Suggested Specification

Model PGF8ACT shall deliver 8.0 gph of 50° F degree water at 90° F ambient and 80° F inlet water. Model PGFACT is a non-refrigerated drinking fountain and delivers ambient water. Shall have VersaFilter for taste, odor, lead and chlorine reduction. Shall include an infrared sensor to activate the flow of water. Basin shall be designed to eliminate splashing and standing water. Water saver bubbler reduce waste water by 50% and shall have flexible guard and operate between 20 and 100 PSI. Cabinet finish shall be sandstone on galvanized steel or greystone powder coated or brushed stainless steel. Shall use R-134a refrigerant. Shall comply with ANSI 117.1 and ADA. Shall be listed by Underwriters Laboratories to US and Canadian standards. Shall comply with ANSI/NSF 61 and NSF/ANSI 372.

Models

- PGF8ACT delivers 8.0 gallons of chilled drinking water per hour with VersaFilter and touch free sensor
- PGFACT a non-refrigerated fountain

Standard Features

- VersaFilter for taste, odor, lead and chlorine reduction
- Built-in 100 micron strainer stops particles before they enter the waterway
- Waterways are Lead-Free in materials & construction
- Flexible bubbler guard
- Stainless steel top and heavy duty galvanized steel frame
- High efficiency cooling system
- Infrared sensor activation

Finishes

- Standard cabinet finish: Sandstone powder coated paint on galvanized steel
- Optional finishes (at additional cost): Stainless steel

Installation

- Prior to roughing consult with local, state and federal codes for proper mounting height
- Shipped with complete instructions and wall mounting bracket
- Removable side and front panels provide easy access for installation



Options (at additional cost)

- Push handle glass fillers (029603-004)
- One piece chrome plated brass bubbler (036700-001)

Limited 5-Year Warranty

(Continental limits of the United States and Canada) Five years on the sealed refrigeration system and most component parts. Detailed warranty certificate enclosed with each water cooler; sample available upon request.

Export Warranty

One year on components parts. Detailed warranty certificate enclosed with each drinking fountain; sample copy available upon request.

Certifications/Compliance

- Oasis International Electric Water Coolers are listed by Underwriters Laboratories Inc. and comply with both U.S. and Canadian Requirements.
- Product Certified to NSF/ANSI Standard 61-G & 372 and conforms with the lead content requirements for "Lead Free" plumbing as defined by California, Vermont, Maryland, and Louisiana state laws and the U.S. Safe Drinking Water Act.
- This unit complies with ARI standard 1010 Testing, Operating and Rating requirements (electric water coolers only).
- These water coolers comply with the requirements of ADA (Americans with Disabilities Act) when properly installed.

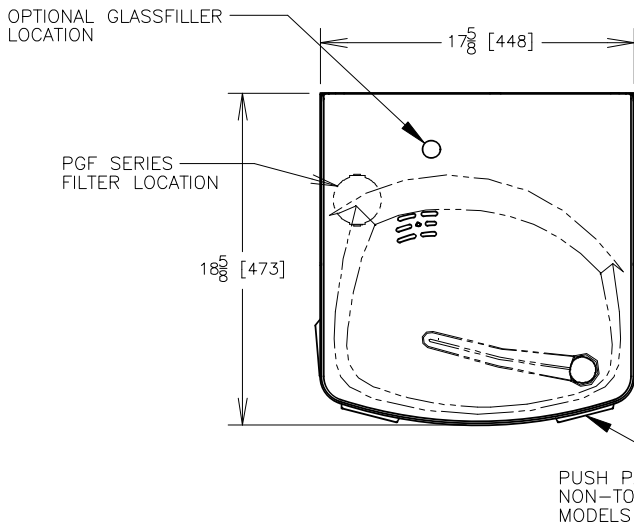


Model	50° F Drinking Water 90° F Ambient Air Temp*			Hot'N Cold Model	115 Volts, 60 HZ			Glass Filler Acc. Option	Cabinet Color Finish	Net Wt. Approx
	Rated Capacity GHP	Base Rate GHP	Pre-Cooler		Compr. HP	Full Load Amps	Rated Watts			
PGF8ACT	8.0	8.0	No	No	1/4	4.4	440	Yes	Yes	64 Lbs
PGFACT	Fountain							Yes	Yes	34 Lbs

* Industry standard rating condition 80° F inlet water temperature

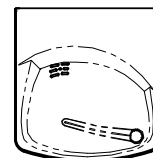
Specifications subject to change without notice

OASIS® VERSACOOLER® II

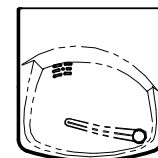


NOTES:

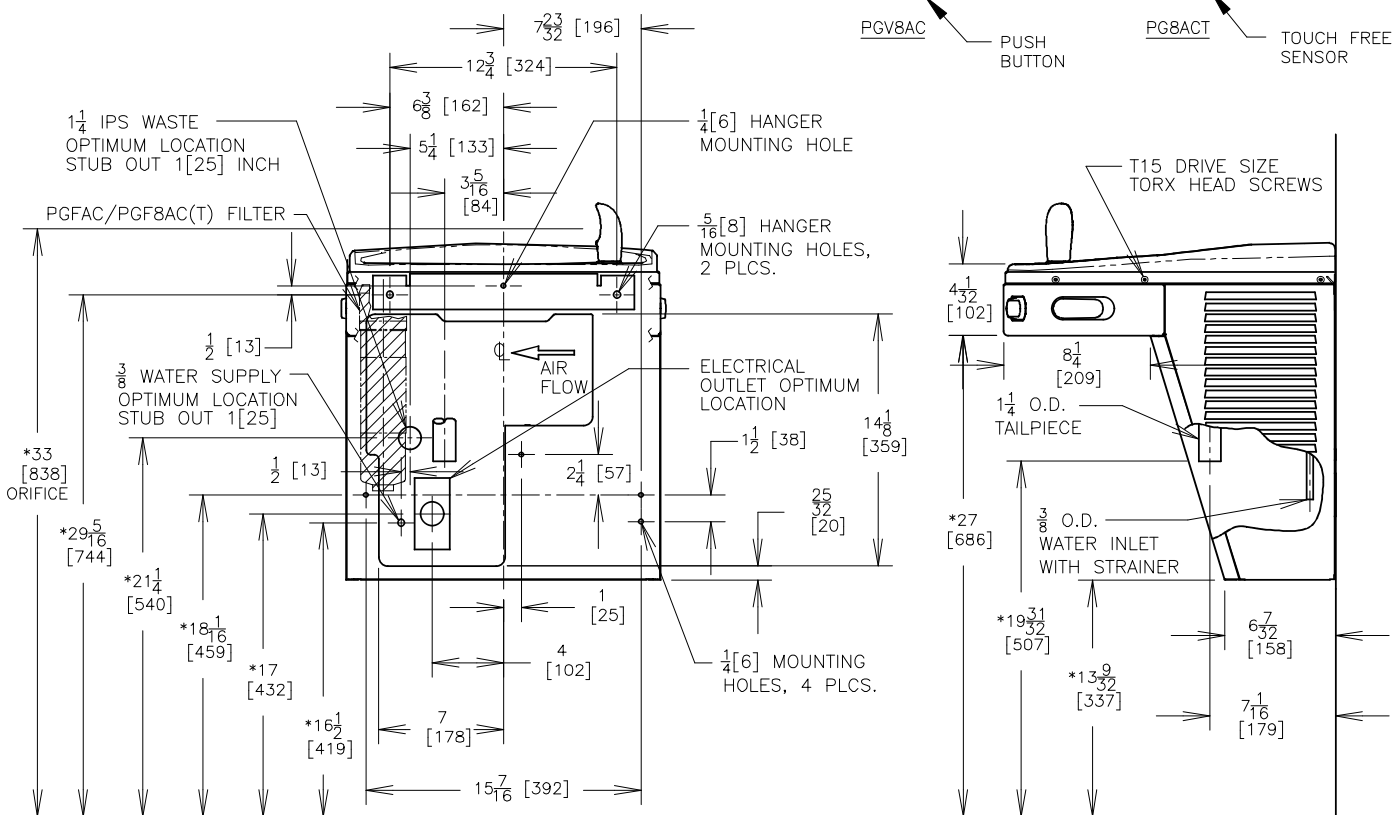
1. TRAP, STOP VALVE AND ELECTRICAL OUTLET NOT FURNISHED.
2. ALLOW 4 INCHES [102 MM] MIN. PER SIDE FOR VENTILATION.
- *3. RECOMMENDED ADULT BARRIER FREE HEIGHT INSTALLATION SHOWN. REDUCE HEIGHT BY 3 INCHES FOR INSTALLATIONS USED PRIMARILY BY CHILDREN AGES 12 AND YOUNGER. UNIT SHALL ALSO HAVE A MINIMUM CLEAR FLOOR SPACE 30[760] BY 48[1220]. ADJUST VERTICAL DIMENSIONS AS REQ'D TO COMPLY WITH FEDERAL, STATE, AND LOCAL CODES.
4. ALL DIMENSIONS ARE IN INCHES. DIMENSIONS IN BRACKETS [] ARE IN MILLIMETERS.



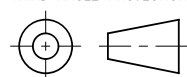
PUSH
BUTTON



TOUCH FREE
SENSOR



THIRD ANGLE PROJECTION



ROUGHING-IN
AND
DIMENSIONAL
DRAWING