



Technical Sheet

Versacooler® II with Sensor

- PG8ACT
- PGACT

Suggested Specification

Model PG8ACT shall deliver 8.0 gph of 50° F water at 90° F ambient and 80° F inlet water per ASHRAE 18 testing. Shall include an infrared sensor to activate the flow of water. Basin shall be designed to eliminate splashing and standing water. Water saver bubbler reduce waste water by 50% and shall have flexible guard and operate between 20 and 100 PSI. Cabinet finish shall be greystone on galvanized steel or brushed stainless steel. Shall use R-134a refrigerant. Shall comply with ANSI 117.1 and ADA. Shall be listed by Underwriters Laboratories to US and Canadian standards. Shall comply with NSF/ANSI 61 and NSF/ANSI 372.

Models

- PG8ACT delivers 8.0 gallons of chilled drinking water per hour with touch free sensor
- PGACT is a non-refrigerated fountain with touch free sensor

Standard Features

- Built-in 100 micron strainer stops particles before they enter the waterway
- Waterways are Lead-Free in materials & construction
- Flexible one piece water saver bubbler
- Stainless steel top and heavy duty galvanized steel frame
- High efficiency cooling system
- Infrared sensor activation

Finishes

- Standard cabinet finish: Greystone powder coated paint on galvanized steel
- Optional finishes: Sandstone powder coated paint; Stainless steel (at additional cost)

Installation

- Prior to roughing consult with local, state and federal codes for proper mounting height
- Shipped with complete instructions and wall mounting bracket
- Removable side and front panels provide easy access for installation

Options

- Push handle glass fillers (029603-004)
- One piece chrome plated brass bubbler (036700-001)
- VersaFilter

Limited 5-Year Warranty

(Continental limits of the United States and Canada)
Five years on the sealed refrigeration system and most component parts. Detailed warranty certificate enclosed with each water cooler; sample available upon request.



Export Warranty

One year on components parts. Detailed warranty certificate enclosed with each drinking fountain; sample copy available upon request

Certifications/Compliance

- Certified to UL 399 and CAN/CSA C22.2 No.120 (electric water coolers only)
- Product Certified to NSF/ANSI Standard 61-G & 372 and conforms with the lead content requirements for "Lead Free" plumbing as defined by California, Vermont, Maryland, and Louisiana state laws and the U.S. Safe Drinking Water Act.
- These water coolers comply with the requirements of ADA (Americans with Disabilities Act) when properly installed.



WARNING:
Cancer and Reproductive Harm
www.P65Warnings.ca.gov

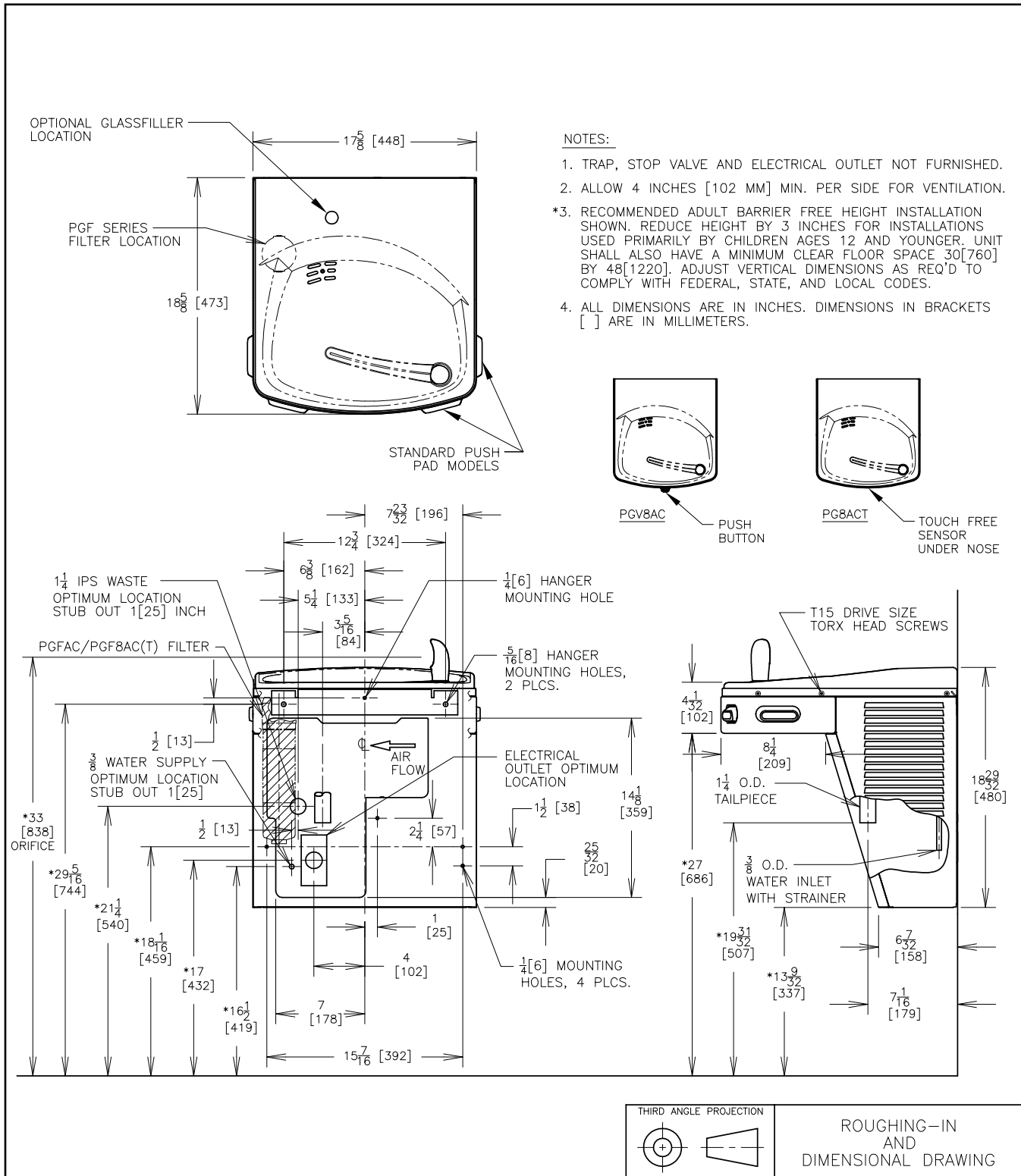


Model	50° F Drinking Water 90° F Ambient Air Temp*			Hot 'N Cold™ Model	115 Volts, 60 HZ			Glass Filler Acc. Option	Cabinet Color Finish	Net Wt. Approx.
	Rated Capacity GPH	Base Rate GPH	Pre-Cool- er		Compr. HP	Full Load Amps	Rated Watts			
PG8ACT	8.0	8.0	No	No	1/4	4.6	460	Yes	Yes	64 Lbs
PGACT	Fountain Only							Yes	Yes	34 Lbs

*Industry standard rating condition 80° F inlet water temperature

Specifications subject to change without notice

OASIS® VERSACOOLER® II MODELS



OASIS INTERNATIONAL

www.oasiscoolers.com

222 East Campus View Blvd.
Columbus, OH 43235

1-800-646-2747