



Technical Sheet

Free Standing Contactless QUASAR™ Bottle Filler with VersaFilter III and Remedi Filter

- PF2CP10EBQ
- PF2CPEBQ

Suggested Specification

Model PF2CP10EBQ shall deliver 10.0 gph of 50°F water at 90°F ambient and 80°F inlet water per ASHRAE 18 testing. Model PF2CPEBQ is a non-refrigerated bottle filler and delivers ambient water. Electronic bottle filler shall have contactless activation for the dispensing of water. Shall have VersaFilter III for lead, cyst, taste and odor reduction.

QUASAR bottle filler shall have UVC-LED treatment at the dispense point, which disinfects the water while it is being dispensed. UVC-LED also cycles on periodically to keep the dispense point sanitized between dispenses.

Plastic bottle filler components contain Freshield®, which utilizes a silver-based antimicrobial compound to protect the surfaces from discoloration, odors and degradation caused by the growth of microorganisms and mildew. Evaporator shall be high efficiency tank type and shall be encapsulated in insulation. An adjustable thermostat having an off position shall control refrigeration system. Shall use R-134a refrigerant. Shall comply with ANSI 117.1 and ADA. Shall be listed by Underwriters Laboratories to US and Canadian standards. Shall comply with NSF/ANSI 61 and NSF/ANSI 372.

Models

- PF2CP10EBQ delivers 10.0 gallons of chilled drinking water per hour.
- PF2CPEBQ is a non-refrigerated bottle filler.

Standard Features

- Contactless QUASAR bottle filler with mercury-free UVC-LED at the dispense point
- Built-in strainer inside solenoid valve prevents particles in waterway
- Waterways are lead-free in materials & construction
- High efficiency cooling system
- Contactless activation for water dispensing with auto shut-off
- High flow output of 1.1 gallons per minute for faster fill up
- Built in drain - no drip tray to empty
- VersaFilter III is Certified to NSF/ANSI 42 and 53 for lead, chlorine, taste and odor reduction to 4,750 gallons
- remedi filter for microbiological and particulate reduction.
- Removable front panel for ease of filter change-out

Finishes

- Standard cabinet finish: Brushed stainless steel

Installation

- Prior to roughing consult with local, state and federal codes for proper mounting height
- Shipped with complete instructions and wall mounting bracket
- Removable panel provides easy access for installation.



UVC-LED Treatment at the point-of-dispense

Limited 5-Year Warranty

(Continental limits of the United States and Canada)

Five years on the sealed refrigeration system and most component parts. Detailed warranty certificate enclosed with each water cooler; sample available upon request.

Export Warranty

One year on components parts. Detailed warranty certificate enclosed with each drinking fountain; sample copy available upon request.

Certifications/Compliance

- Certified to UL 399 and CAN/CSA C22.2 No.120 (electric water coolers only)
- Product Certified to NSF/ANSI Standard 61-G & 372 and conforms with the lead content requirements for "Lead Free" plumbing as defined by California, Vermont, Maryland, and Louisiana state laws and the U.S. Safe Drinking Water Act
- These water coolers comply with the requirements of ADA (Americans with Disabilities Act) when properly installed
- VersaFilter III is certified to NSF/ANSI 42 & 53



WARNING:

Cancer and Reproductive Harm
www.P65Warnings.ca.gov

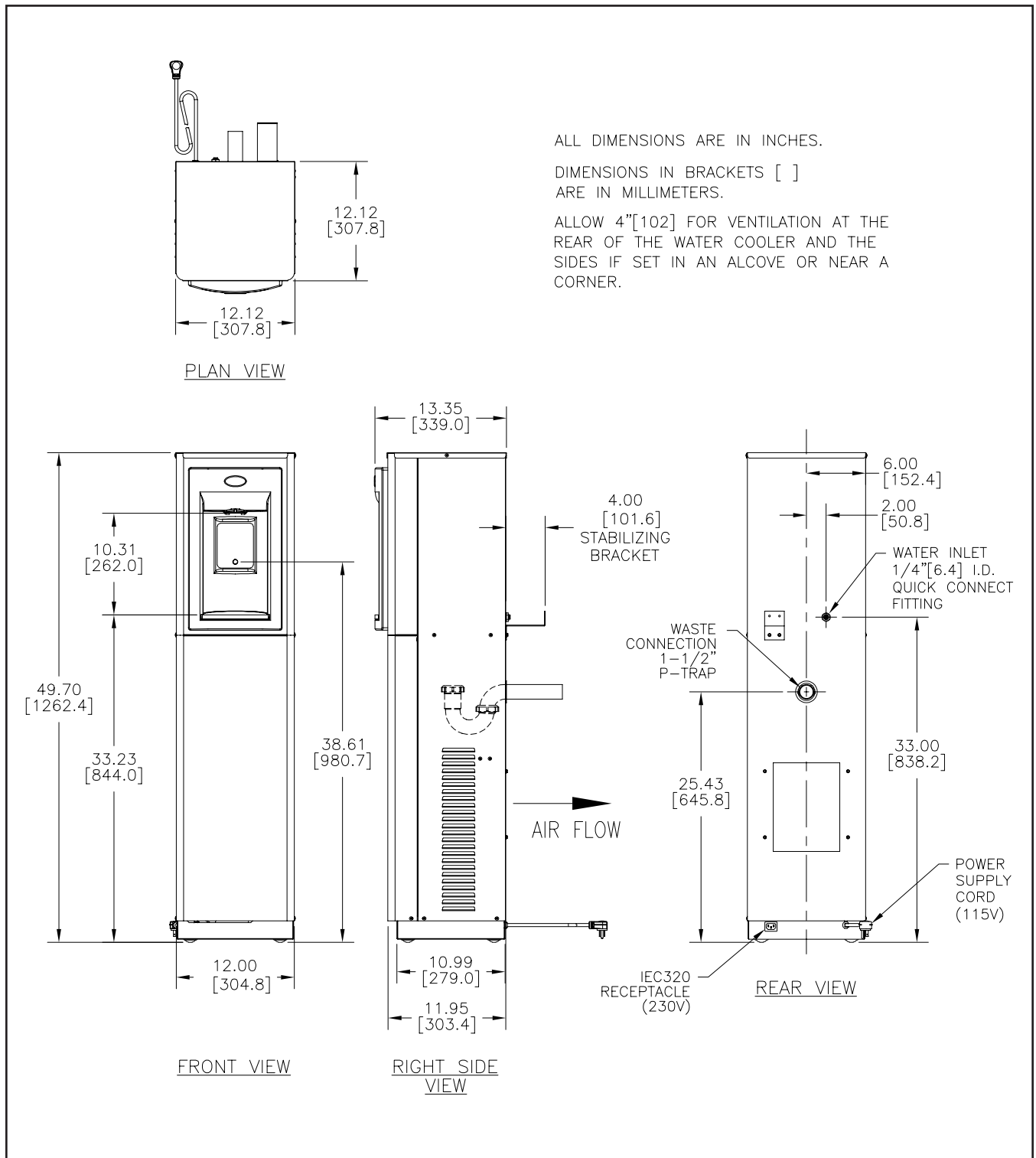


Model	50° F Drinking Water 90° F Ambient Air Temp*			Hot'N Cold™ Model	115 Volts, 60 HZ			Glass Filler Acc. Option	Cabinet Color Finish	Net Wt. Approx.
	Rated Capacity GPH	Base Rate GPH	Pre-Cooler		Compr. HP	Full Load Amps	Rated Watts			
PF2CP10EBQ	10.0	10.0	No	No	1/4	5.5	550	No	No	78 Lbs
PF2CPEBQ	Electric Bottle Filler Rating Only					.40	25	No	No	41 Lbs

*Industry standard rating condition 80° F inlet water temperature

Specifications subject to change without notice

OASIS® FREE STANDING CONTACTLESS BOTTLE FILLER



OASIS INTERNATIONAL

www.oasiscoolers.com

222 East Campus View Blvd.
Columbus, OH 43235

1-800-646-2747