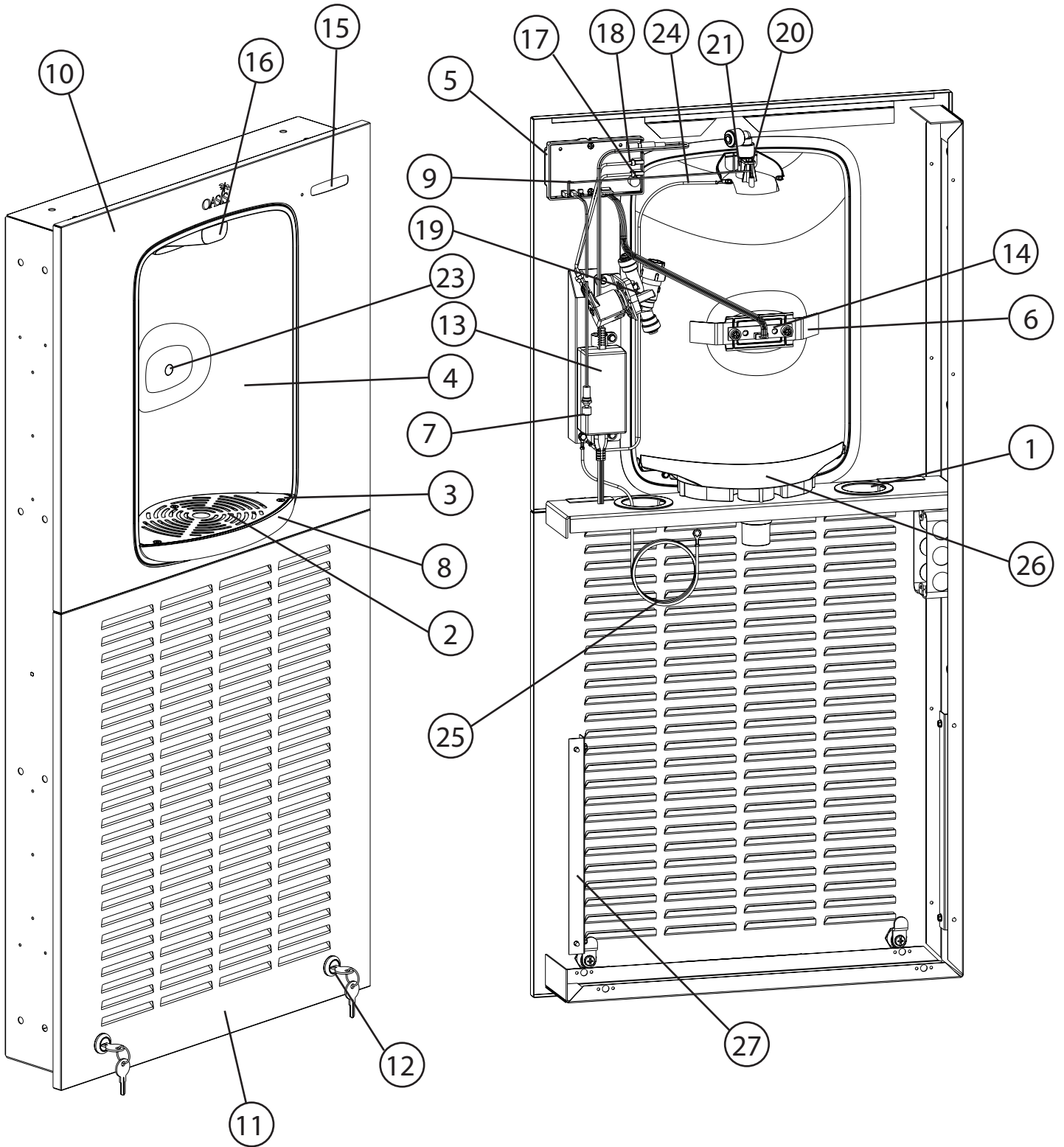


SECTION 8: PARTS BREAKDOWN



SECTION10: PARTS BREAKDOWN

ITEM	DESC.	PART #	QTY
1	BUSHING, SNAP 2.5"	027189-012	2
2	GRILLE, DRIPTRAY	042374-001	1
3	SCREW, FLAT HD TAPPING	026675-003	3
4	ASM, VHB ALCOVE	041405-001	1
5	ASM, VHB PCB BRACKET	041405-002	1
6	ASM, VHB IR BRACKET	041405-003	1
7	BUTTON ASSY - EBF	042067-001	1
8	COVER, FRONT	042370-001	1
9	ASSY, LED - EBF	042068-001	1
10	PANEL, EBF UPPER OASIS	041374-101	1
11	PANEL, MWSBF LOWER LOUVER	027697-005	1
12	LOCK ASSY	031657-006	2
13	POWER SUPPLY, 12VDC	038036-003	1
14	PCB, IR SENSOR	042065-001	1
15	LENS, PWEBF LCD	042575-001	1
16	SPOUT	042369-001	1
17	LEAD WIRE ASSY 10FR (BLACK)	017340-512	1
18	LEAD WIRE ASSY 10FR (RED)	021929-129	1
19	SOLENOID VALVE 12VDC	038030-002	1
20	FTG, PP REDUCING UNION	028668-101	1
21	ADAPTER, FLOW NOZZLE	038029-001	1
22	FLOW NOZZLE ASSY	038032-001	1
23	LENS, IR BOTTLE FILLER	038027-001	1
24	LEAD WIRE ASSY 16GG (GREEN)	021339-177	1
25	LEAD WIRE ASSY 24GG (GREEN)	021339-149	1
26	DRIPTRAY, SURFM	042372-001	1
27	ANGLE, CRADLE MTG	026210	2