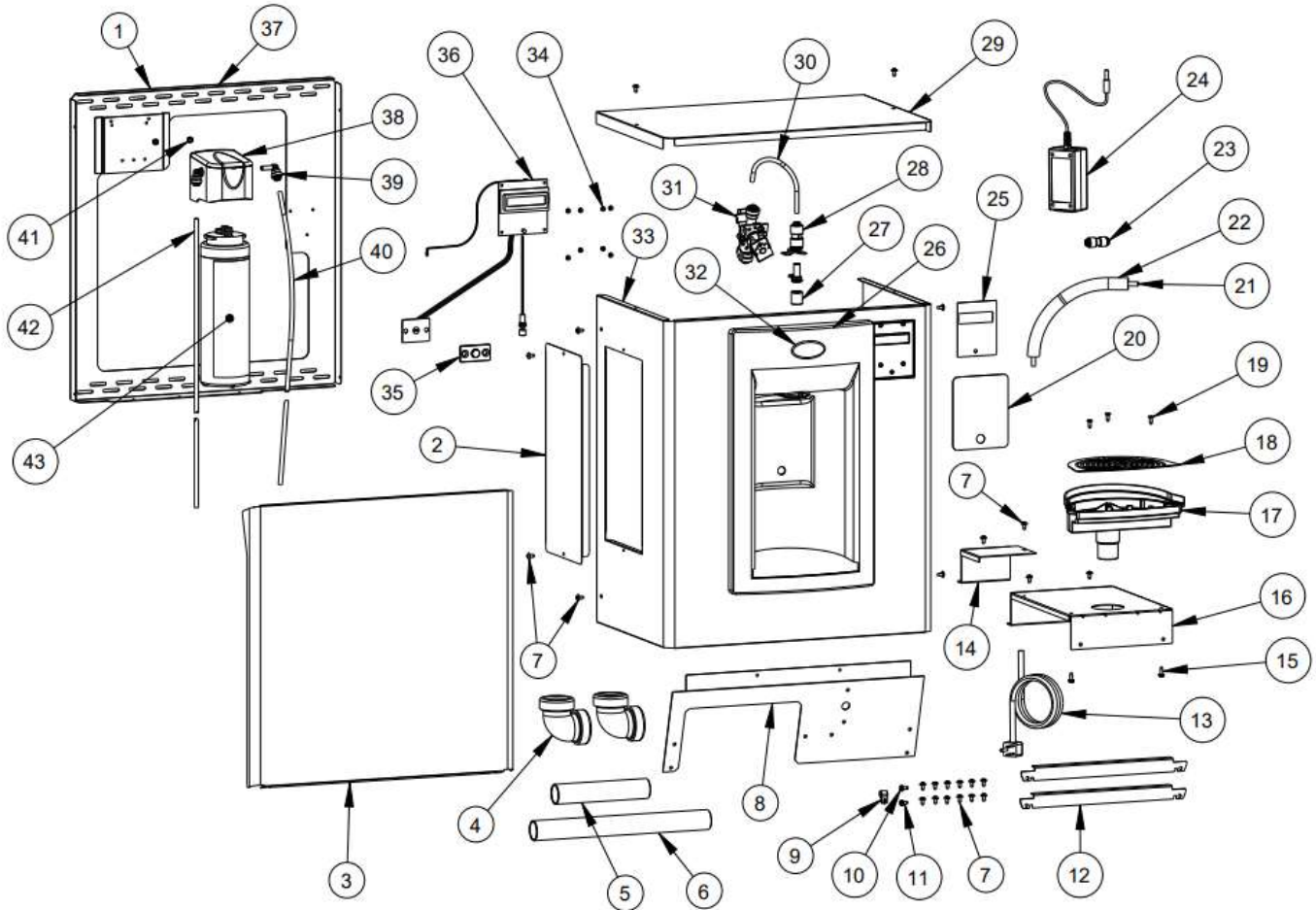


Section 8: Parts Breakdown



ITEM	QTY	P/N	Description
1	1	036687-003	FRAME
2	1	041241-001	Panel, Filter
3	1	041250-001	Panel, Front
4	2	A020967	1-1/2" Elbow, W/Nuts, 1-1/4"
5	1	036010-002	Waste Tube 6.13"
6	1	036010-013	Waste Tube 16.63"
7	24	031875-003	Screw, Truss HD Tapping Torx #8
8	1	041243-002	Bracket, Center
9	1	018541	Clamp, Strain Relief
10	1	026670-001	Screw, Hex HD Machine #8 x 3/8"
11	1	026642-003	Screw, Hex HD Tapping #8 x 3/8"
12	2	041242-002	Bracket, Side
13	1	041207-001-SP	Power Cord Assembly
14	1	041246-002	Bracket, Filter Support
15	1	026642-006	Screw, Hex HD Tapping #8 x 1/2"
16	1	041244-002	Bracket, Drip tray
17	1	036191-001	Drain
18	1	036192-001	Grille, Stainless

ITEM	QTY	P/N	Description
19	3	026675-003	Screw, Flat HD Tapping #8 x 1/2"
20	1	038031-006	Label, Alcove Sensor
21	1	030152-102-SP	Tube, PE 10" Long
22	1	017681-003-SP	Insulation, Sponge Tube 9"
23	1	028605-101	Fitting, PP Union 1/4"OD
24	1	038036-003	Power Supply, 100-240VAC/12VDC
25	1	038031-005	Label, LCD Bezel
26	1	036190-003	Alcove
27	1	038032-001	Flow Nozzle Assembly
28	1	028668-101	Fitting, PP Reducing Union
29	1	041239-002	Panel, Top
30	1	030152-033-SP	Tube, PE 6.5"
31	1	038030-002	Solenoid Valve 12VDC
32	1	031434-014	Nameplate, Oasis
33	1	041238-002	Wrapper
34	8	026824-026	Nut, Hex Nylon #4
35	1	038037-001	Lens, IR Bottle Filler
36	1	038026-002	Electronics Assembly, IR/LCD

For NNFEFBPG Only			
37	1	041410-001	Filter Bracket Frame Assembly
38	1	041146-001	Head Assy, Manifold w/Elbow Ftg.
39	1	029994-103	Fitting, PP Elbow Plug-in 1/4"OD
40	1	030152-046-SP	Tube, PE 38" Long
41	2	026642-003	Screw, Hex HD Tapping #8 x 3/8"
42	1	030152-046-SP	Tube, PE 38" Long
43	1	041145-001	Filter Cartridge, Versafilter III