



We Know Water.

COOLER TO BOTTLE FILLER CONVERSION KIT WITH VERSAFILTER™ III

• NNFEBFPG

Suggested Specification

Model NNFEBFPG shall retrofit to existing OASIS PG*AC and P*AC series water coolers to provide contactless activation and laminar flow. Retrofits to both single and split level models. Model NNFEBFPG shall include the VersaFiller® Bottle Filler. Bottle Filler alcove and cabinet finish shall be stainless steel. Key VersaFiller components contain Freshield®, which utilizes a silver-based antimicrobial compound to protect the surfaces from discoloration, odors and degradation caused by the growth of micro-organisms and mildew.

Features:

- Waterways are lead-free in materials & construction
- Heavy duty galvanized steel frame
- Bottle filler replaces bubbler, button activation, existing top and front panel
- Bottle filler retro-fits to the existing water cooler without removing it from the wall
- Re-uses existing refrigeration, plumbing and power source
- Access through the side of the bottle filler cabinet for clean and easy replacement of filters
- VersaFilter III located in top bottle filler for easy filter replacement
- Built-in filter monitor and bottle counter
- Logos permanently formed into the alcove and stainless steel wrapper
- LED lighted alcove
- Compatible with refrigerated and non-refrigerated fountains

Filtration:

VersaFilter III is Certified to NSF/ANSI 42 and 53 for lead, Particulate Class I, chlorine, taste and odor reduction to 4,750 gallons

Power:

115 Volts, 60 Hz

Activation By:

Contactless Sensor

Mounting Type:

Wall Mounted

Chilling Option:

Utilizes existing refrigeration system if applicable

Full Load Amps:

0.4 amps

Rated Watts:

20

Approx. Net Weight:

24 lbs

Installation Location:

Indoor



*Drinking Fountain
Not Included

Installation

- Prior to roughing in, consult with local, state and federal codes for proper mounting height
- Shipped with complete instructions and wall mounting bracket

Limited 1-Year Warranty

(Continental limits of the United States and Canada)

One year on components parts. Detailed warranty certificate enclosed with each bottle filler; sample available upon request.

Export Warranty

One year on components parts. Detailed warranty certificate enclosed with each bottle filler; sample copy available upon request.

Compliance

- Certified to UL 399 and CAN/CSA C22.2 No.120 (electric water coolers only)
- Complies with the requirements of ADA (Americans with Disabilities Act) when properly installed



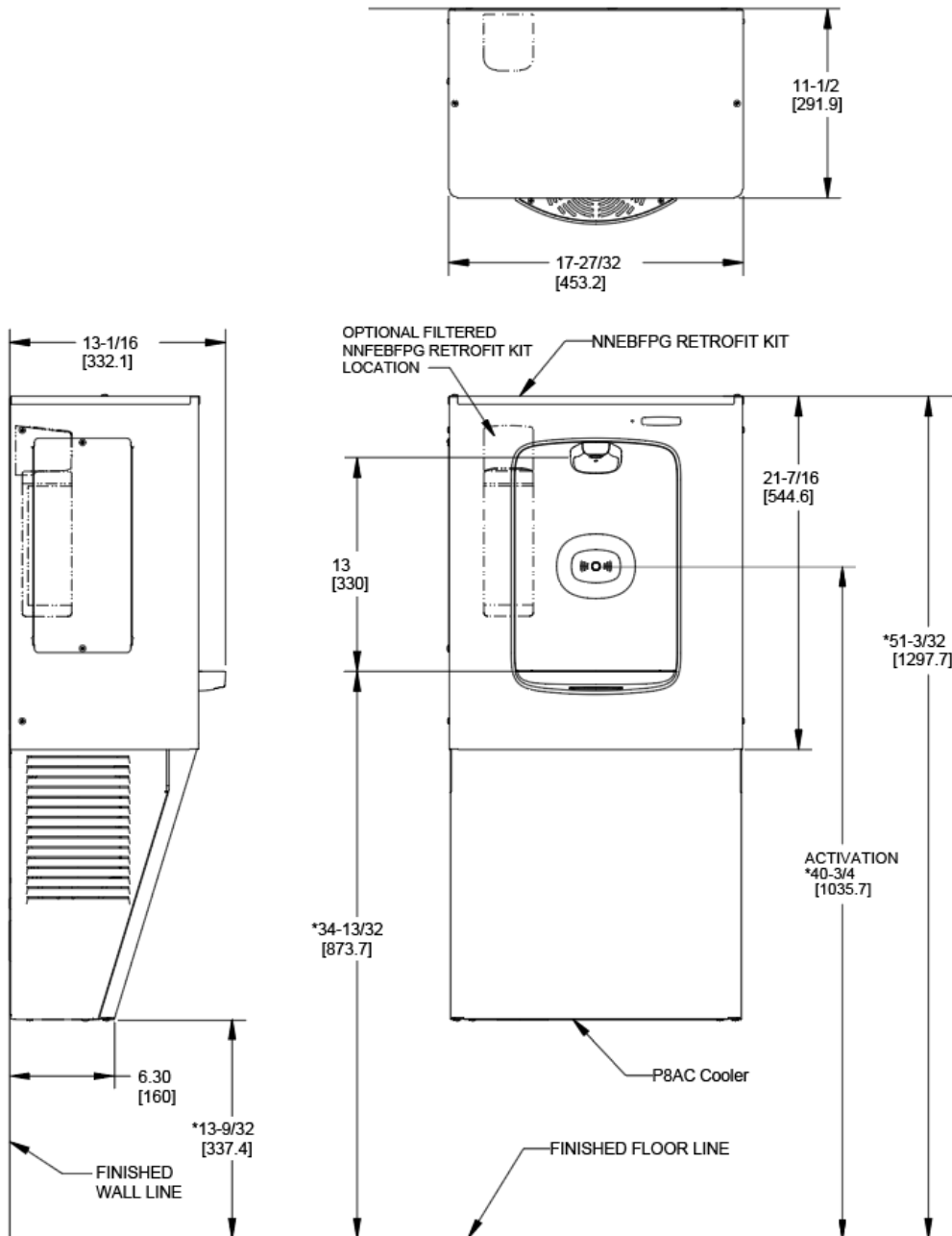
WARNING:

Cancer and Reproductive Harm
www.P65Warnings.ca.gov



Specifications subject to change without notice

COOLER TO BOTTLE FILLER CONVERSION KIT WITH VERSAFILTER™ III



NOTES:

1. * DIMENSIONS ARE REFERENCE ONLY.
2. ALL DIMENSIONS ARE IN INCHES. DIMENSIONS IN BRACKETS [] ARE IN MILLIMETERS.