

# MODULAR FOUNTAINS OASIS<sup>®</sup> M110PM, M140PM SUNROC DF-3311, DF-3411 INSTRUCTIONS

## 1. INSPECTION

Inspect the cartons and various components for evidence of rough handling and concealed damage. Damage claims should be filed with the carrier.

## 2. INSTALLATION, PLUMBING & ELECTRICAL CONNECTIONS

a) **Note:** The following states require a licensed plumber to install cooler; AR, GA, MA, MI, OK, RI, SC, SD, TX, VT and WI.

CA, KS, MN, NM and OR allow for a state-registered installer or contractor as well. State and local plumbing codes may prohibit the use of saddle tapping valves for water line connection in some applications. All connections must conform to applicable plumbing codes.

b) Plumbing rough-in and wall opening should be prepared as shown on Roughing-in drawing. (On new plumbing installation, a strainer, not furnished, is recommended.)

c) Insert frame into wall opening and secure to studs.

**NOTE: FRONT FLANGE OF FRAME MUST BE FLUSH WITH THE FINISHED WALL LINE SURFACE.**

d) Place the upper panel in place on the frame top angle and fasten with 2 screws, provided, at bottom.

e) Use two 1/4" bolts and partially screw into the two holes located in the center of the pattern of six holes.

f) Place fountain so the two keyholes in the rear are over the two bolts. This should support the fountain. Using remaining four 1/4" bolts, fasten fountain securely in place, then tighten the two bolts used to support the fountain.

g) Complete plumbing to fountain. Check for leaks on new plumbing installations, run water through the bubbler until water taste satisfactory.

## WARNING

The warranty and the Underwriters' Laboratory Listing for this machine are automatically voided if this machine is altered, modified, or combined with any other machine or device. Alteration or modification of this machine may cause serious flooding and/or hazardous electrical shock or fire.

**EXCEPT AS SET FORTH HEREIN, THE MANUFACTURER MAKES NO OTHER WARRANTY, GUARANTEE OR AGREEMENT EXPRESSED, IMPLIED OR STATUTORY, INCLUDING ANY IMPLIED WARRANTY OR MERCHANTABILITY OR FITNESS FOR A PARTICULAR PURPOSE.**

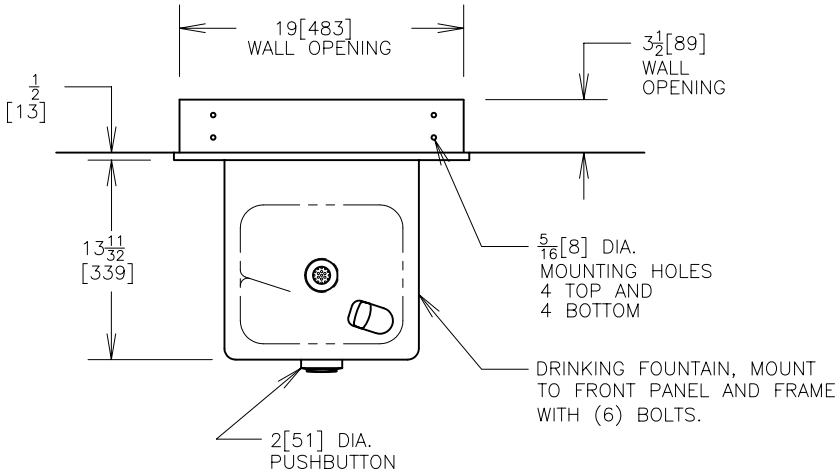


222 East Campus View Blvd. • Columbus, OH 43235 U.S.A.

1-800-950-3226

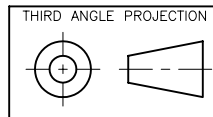
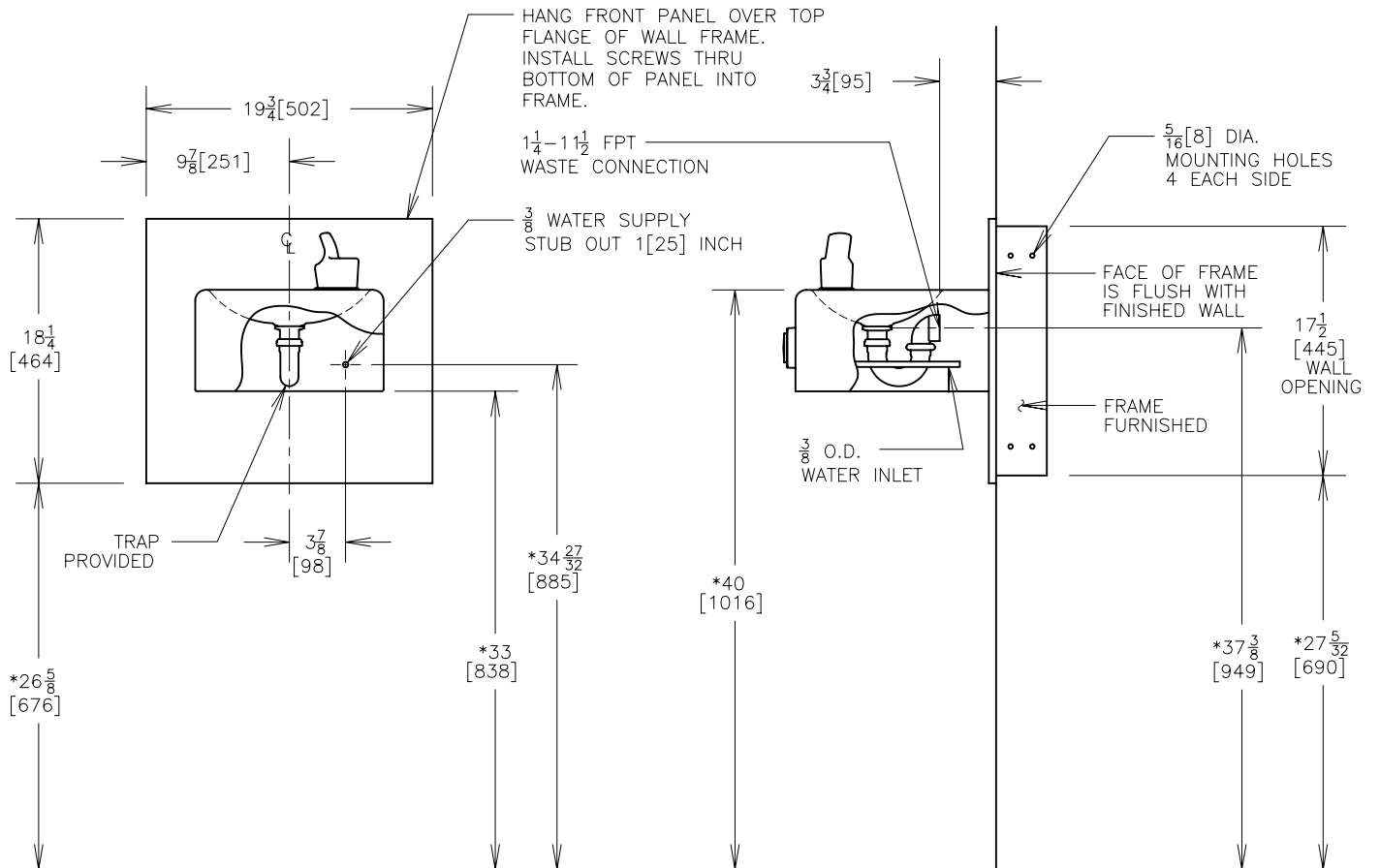
[www.oasiscoolers.com](http://www.oasiscoolers.com)

**FOUNTAIN MODELS**  
**OASIS® M110PM**  
**SUNROC DF-3311**



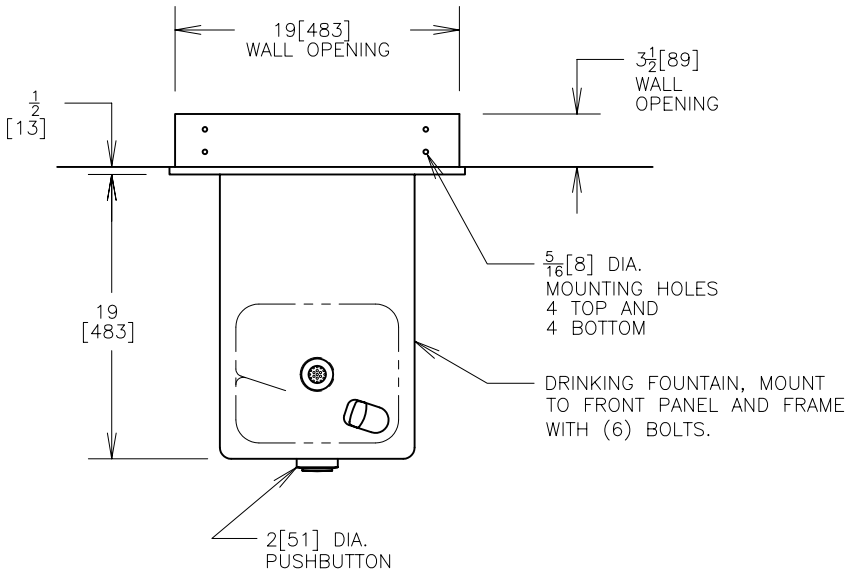
**NOTES:**

1. STOP VALVE NOT FURNISHED.
- \*2. RECOMMENDED ADULT HEIGHT INSTALLATION SHOWN. ADJUST VERTICAL DIMENSIONS AS REQ'D TO COMPLY WITH FEDERAL, STATE, AND LOCAL CODES.
3. ALL DIMENSIONS ARE IN INCHES. DIMENSIONS IN BRACKETS [ ] ARE IN MILLIMETERS.



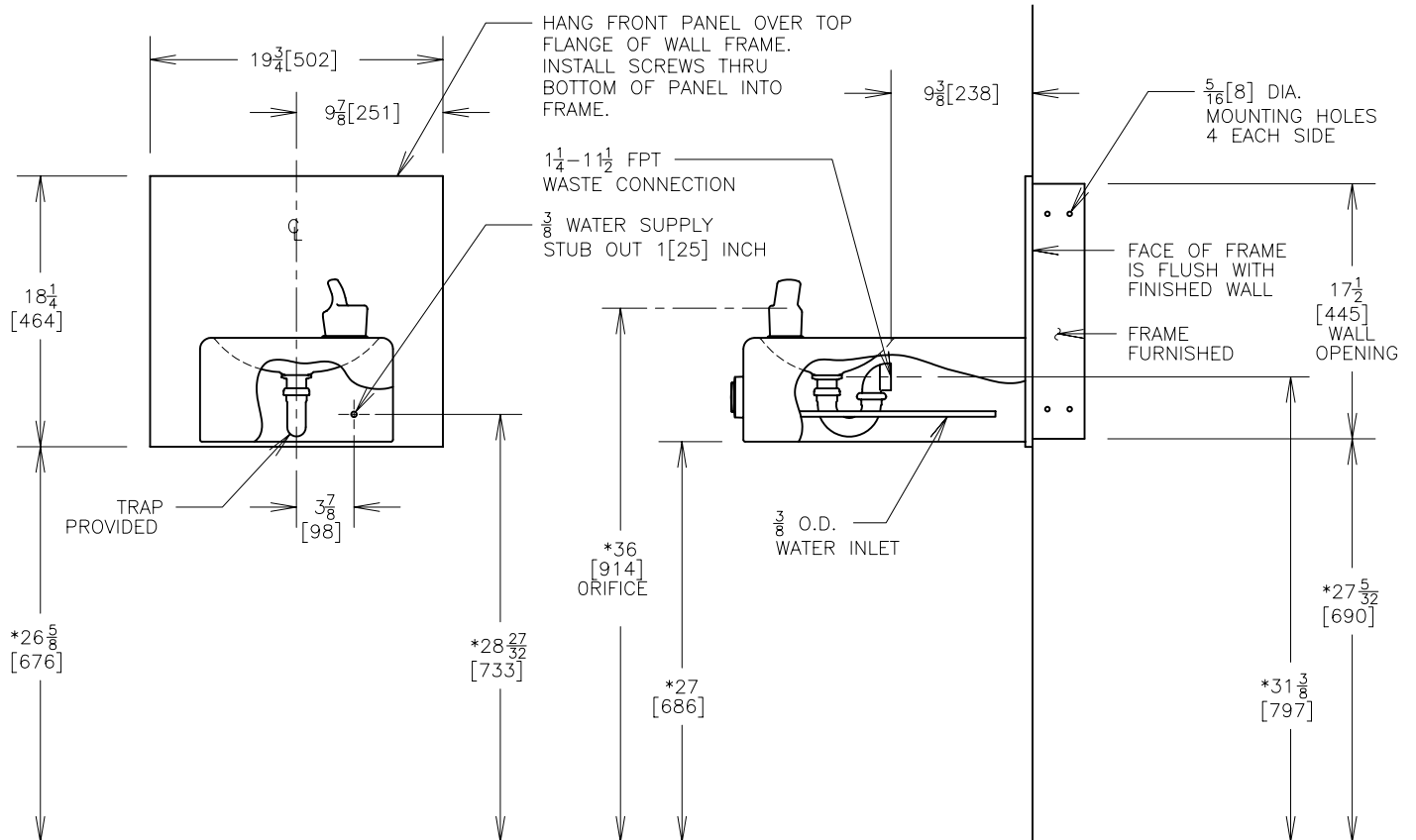
ROUGHING-IN AND DIMENSIONAL DRAWING

**FOUNTAIN MODELS**  
**OASIS® M140PM**  
**SUNROC DF-3411**

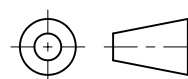


**NOTES:**

1. STOP VALVE NOT FURNISHED.
- \*2. RECOMMENDED ADULT HEIGHT INSTALLATION SHOWN. ADJUST VERTICAL DIMENSIONS AS REQ'D TO COMPLY WITH FEDERAL, STATE, AND LOCAL CODES.
3. ALL DIMENSIONS ARE IN INCHES. DIMENSIONS IN BRACKETS [ ] ARE IN MILLIMETERS.



THIRD ANGLE PROJECTION



ROUGHING-IN AND DIMENSIONAL DRAWING