



Illustrated Parts Breakdown

Models: **F140R-302**



DESCRIPTION

Non-refrigerated drinking fountain designed for use with packaged water chillers or for direct connection to cold water supply.

SPECIFICATIONS

Net weight approximately 19 lbs

OASIS International

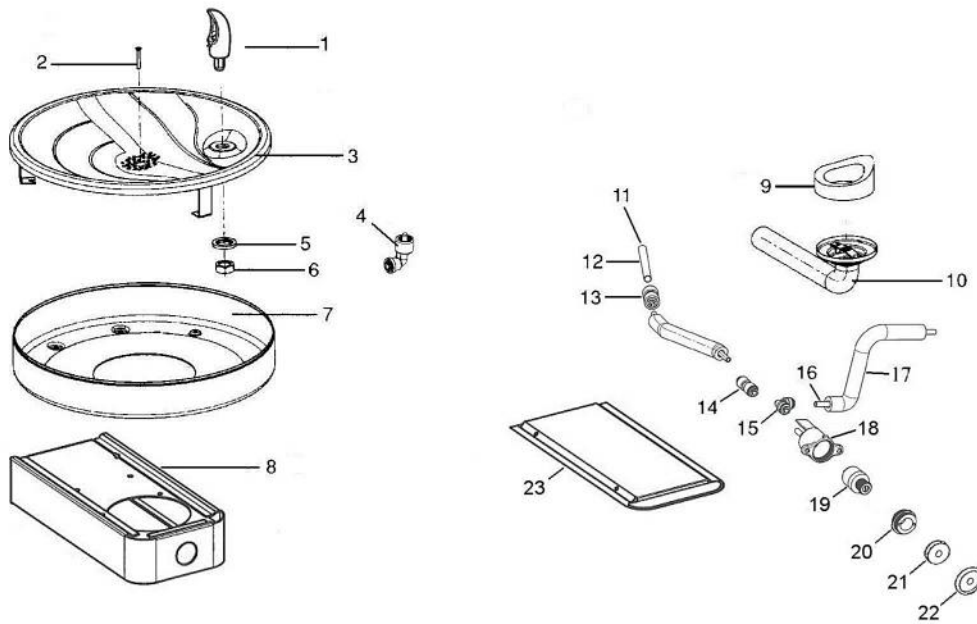
222 East Campus View Blvd - Columbus, OH 43235

614/861-1350 - Fax. 614/322-4557

www.oasiscoolers.com

OASIS is a registered trademark of LVD Acquisition, LLC dba OASIS International

© 2017 LVD Acquisition, LLC



Item# Description

F140R

| | | |
|----|---------------------------------|------------|
| 1 | Bubbler Valve..... | 035607-108 |
| 2 | Drain Screw..... | 036049-002 |
| 3 | Fountain Top Assy | 033722P001 |
| 4 | Bubbler Nut W/JG | 036026-001 |
| 5 | Washer, Under Top..... | 028706-030 |
| 6 | Nut | 026824-019 |
| 7 | Bottom, Bowl | 027616-005 |
| 8 | Fountain Arm..... | 033606-118 |
| 9 | Waste Gasket | 027614-002 |
| 10 | Waste Assembly | 036011-006 |
| 11 | Strainer, In-Line..... | 033264-003 |
| 12 | Tube, Straight | 026794-014 |
| 13 | FTG, JG. Reducing Union | 028668-101 |
| 14 | FTG, PP Union 1/4" OD..... | 028605-101 |
| 15 | FTG, PP Union Elbow WHI | 028481-101 |
| 16 | Tubing, PE 1/4" OD White..... | 029959-006 |
| 17 | Insulation, Sponge Tubing | 028485-001 |
| 18 | Holder, Cartridge | 035990-001 |
| 19 | Cartridge | 029967-005 |
| 20 | Nut, Retaining, Plastic..... | A020957 |
| 21 | Button, Plug | 038678-001 |
| 22 | Button, Push, AMC..... | 038636-001 |
| 23 | Bottom Plate..... | 033723-003 |

Not Shown:

| | |
|---------------------------------|------------|
| Gasket, Wall To Arm Reveal..... | 027623-001 |
| Plate, Wall MTG | 027526-001 |



Illustrated Parts Breakdown

Models: F140R-301 & DF-2601



DESCRIPTION

Non-refrigerated drinking fountain designed for use with packaged water chillers or for direct connection to cold water supply.

SPECIFICATIONS

Net weight approximately 19 lbs

OASIS International

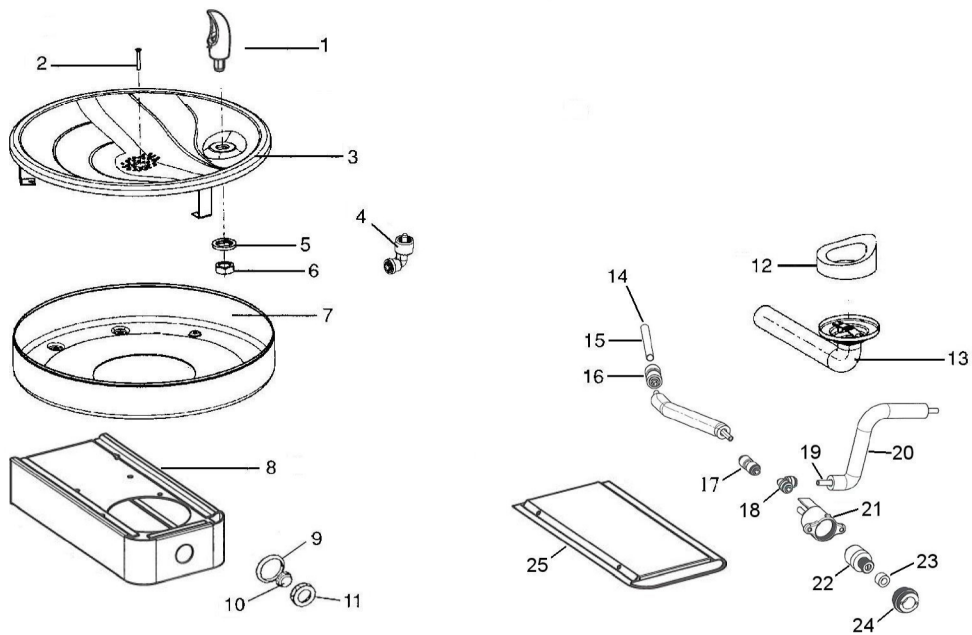
222 East Campus View Blvd - Columbus, OH 43235

614/861-1350 - Fax. 614/322-4557

www.oasiscoolers.com

OASIS is a registered trademark of LVD Acquisition, LLC dba OASIS International

© 2016 LVD Acquisition, LLC



Item# Description

F140R & DF-2601

| | | |
|----|----------------------------------|------------|
| 1 | Bubbler Valve..... | 035607-108 |
| 2 | Drain Screw..... | 036049-002 |
| 3 | Fountain Top Assy | 033722P001 |
| 4 | Bubbler Nut W/JG | 036026-001 |
| 5 | Washer, Under Top..... | 028706-030 |
| 6 | Nut | 026824-019 |
| 7 | Bottom, Bowl | 027616-005 |
| 8 | Fountain Arm..... | 033606-102 |
| 9 | Nut-Ring, Cartridge Holder | 029969-001 |
| 10 | Button, Push..... | 024779 |
| 11 | Nut, Hex Cover | 024778 |
| 12 | Waste Gasket | 027614-002 |
| 13 | Waste Assembly | 036011-006 |
| 14 | Strainer, In-Line..... | 033264-003 |
| 15 | Tube, Straight | 026794-014 |
| 16 | FTG, JG. Reducing Union | 028668-001 |
| 17 | FTG, PP Union 1/4" OD | 028605-101 |
| 18 | FTG, PP Union Elbow WHI | 028481-101 |
| 19 | Tubing, PE 1/4" OD White..... | 029959-006 |
| 20 | Insulation, Sponge Tubing | 028485-001 |
| 21 | Holder, Cartridge | 035990-001 |
| 22 | Cartridge | 029967-005 |
| 23 | Washer/Spacer..... | 028706-045 |
| 24 | Nut, Retaining Metal High..... | 029970-002 |
| 25 | Bottom Plate..... | 033723-003 |

Not Shown:

| | | |
|--|---------------------------------|------------|
| | Gasket, Wall To Arm Reveal..... | 027623-001 |
| | Plate, Wall MTG | 027526-001 |



Illustrated Parts Breakdown

Models: **F110R-300 & F140R-300**



DESCRIPTION

Non-refrigerated drinking fountain designed for use with packaged water chillers or for direct connection to cold water supply.

SPECIFICATIONS

Net weight approximately 19 lbs

OASIS International

222 East Campus View Blvd - Columbus, OH 43235

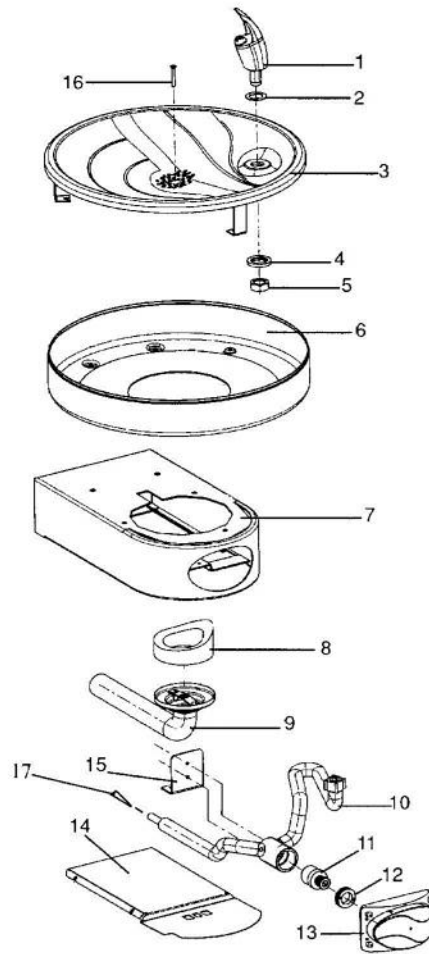
614/861-1350 - Fax. 614/322-4557

www.oasiscoolers.com

www.oasis-parts.com

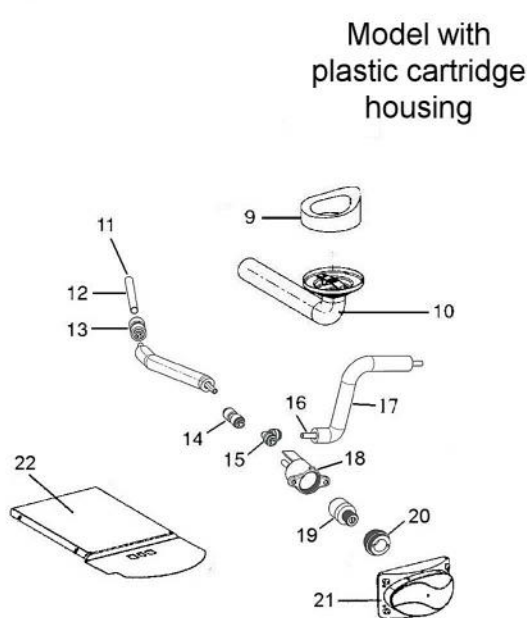
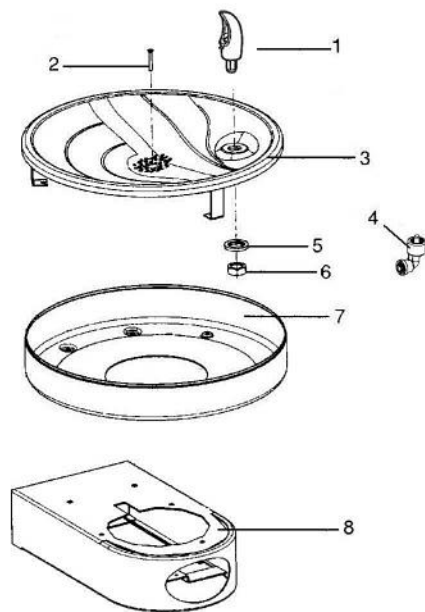
OASIS is a registered trademark of LVD Acquisition, LLC dba OASIS International

© 2013 LVD Acquisition, LLC



Model with
metal cartridge
housing

| Item# | Description | F110R-300 | F140R-300 |
|-------|------------------------------------|---------------|---------------|
| 1 | Bubbler Valve..... | 035607-108 | 035607-108 |
| | Nozzle (for original bubbler)..... | 030029-007 | 030029-007 |
| 2 | Gasket..... | 028706-031 | 028706-031 |
| 3 | Fountain Top Assy | 033722P001 | 033722P001 |
| 4 | Washer, Under Top..... | 028706-030 | 028706-030 |
| 5 | Nut | 026824-019 | 026824-019 |
| 6 | Bottom, Bowl | 027616-005 | 027616-005 |
| 7 | Fountain Arm..... | 033606-001 | 033606-002 |
| 8 | Waste Gasket | 027614-002 | 027614-002 |
| 9 | Waste Assembly | 036011-006 | 036011-006 |
| 10 | Water Line Assembly..... | 033780-003-SP | 033780-003-SP |
| 11 | Water Cartridge | 029967-005 | 029967-005 |
| 12 | Retaining Nut | 029970-001 | 029970-001 |
| 13 | Push Button | 033721-006 | 033721-006 |
| 14 | Bottom Plate..... | 033723-001 | 033723-002 |
| 15 | Valve Bracket..... | 033720-001 | 033720-001 |
| 16 | Drain Screw..... | 026655-002 | 026655-002 |
| 17 | Strainer, In-Line..... | 033264-003 | 033264-003 |



| Item# | Description | F110R-300 | F140R-300 |
|-------|---------------------------------|------------|------------|
| 1 | Bubbler Valve..... | 035607-108 | 035607-108 |
| 2 | Drain Screw..... | 036049-002 | 036049-002 |
| 3 | Fountain Top Assy | 033722P001 | 033722P001 |
| 4 | Bubbler Nut W/JG | 036026-001 | 036026-001 |
| 5 | Washer, Under Top..... | 028706-030 | 028706-030 |
| 6 | Nut | 026824-019 | 026824-019 |
| 7 | Bottom, Bowl | 027616-005 | 027616-005 |
| 8 | Fountain Arm..... | 033606-001 | 033606-002 |
| 9 | Waste Gasket | 027614-002 | 027614-002 |
| 10 | Waste Assembly | 036011-006 | 036011-006 |
| 11 | Strainer, In-Line..... | 033264-003 | 033264-003 |
| 12 | Tube, Straight | 026794-014 | 026794-014 |
| 13 | FTG, JG. Reducing Union..... | 028668-001 | 028668-001 |
| 14 | FTG, PP Union 1/4" OD | 028605-101 | 028605-101 |
| 15 | FTG, PP Union Elbow BLU | 028481-102 | 028481-102 |
| 16 | Tubing, PE 1/4" OD White..... | 029959-006 | 029959-006 |
| 17 | Insulation, Sponge Tubing | 028485-001 | 028485-001 |
| 18 | Holder, Cartridge | 035990-001 | 035990-001 |
| 19 | Cartridge | 029967-005 | 029967-005 |
| 20 | Nut, Retaining..... | A020957 | A020957 |
| 21 | Push Button | 033721-006 | 033721-006 |
| 22 | Bottom Plate | 033723-001 | 033723-002 |

Not Shown:

| | | |
|---------------------------------|------------|------------|
| Gasket, Wall To Arm Reveal..... | 027623-001 | 027623-001 |
| Plate, Wall MTG..... | 027526-001 | 027526-001 |