



## Illustrated Parts Breakdown

Models: **F140R-302**



### DESCRIPTION

Non-refrigerated drinking fountain designed for use with packaged water chillers or for direct connection to cold water supply.

### SPECIFICATIONS

Net weight approximately 19 lbs

### **OASIS International**

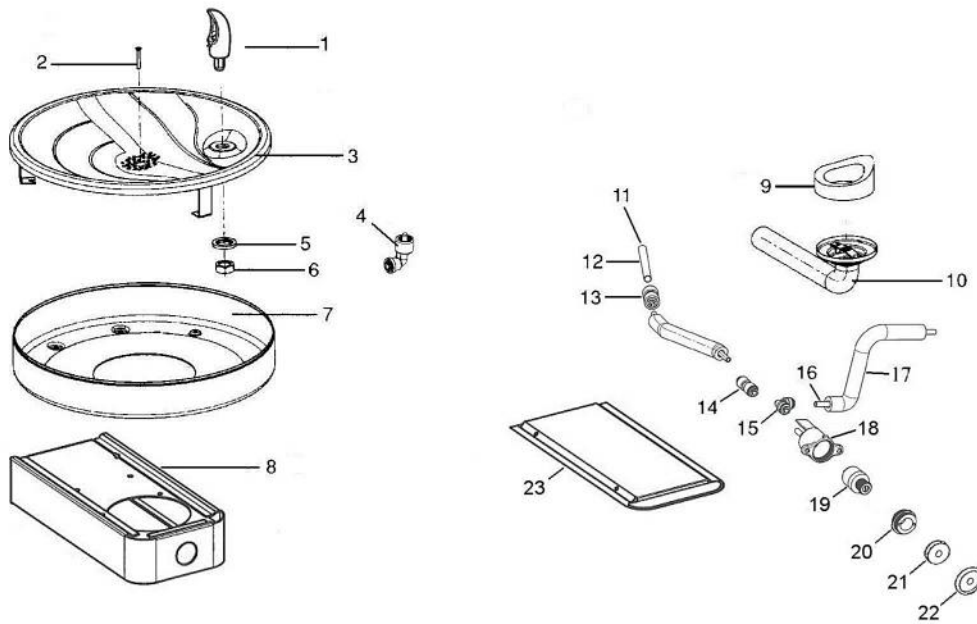
222 East Campus View Blvd - Columbus, OH 43235

614/861-1350 - Fax. 614/322-4557

[www.oasiscoolers.com](http://www.oasiscoolers.com)

OASIS is a registered trademark of LVD Acquisition, LLC dba OASIS International

© 2017 LVD Acquisition, LLC



**Item# Description**

**F140R**

1	Bubbler Valve.....	035607-108
2	Drain Screw.....	036049-002
3	Fountain Top Assy .....	033722P001
4	Bubbler Nut W/JG .....	036026-001
5	Washer, Under Top.....	028706-030
6	Nut .....	026824-019
7	Bottom, Bowl .....	027616-005
8	Fountain Arm.....	033606-118
9	Waste Gasket .....	027614-002
10	Waste Assembly .....	036011-006
11	Strainer, In-Line.....	033264-003
12	Tube, Straight .....	026794-014
13	FTG, JG. Reducing Union .....	028668-101
14	FTG, PP Union 1/4" OD.....	028605-101
15	FTG, PP Union Elbow WHI .....	028481-101
16	Tubing, PE 1/4" OD White.....	029959-006
17	Insulation, Sponge Tubing .....	028485-001
18	Holder, Cartridge .....	035990-001
19	Cartridge .....	029967-005
20	Nut, Retaining, Plastic.....	A020957
21	Button, Plug .....	038678-001
22	Button, Push, AMC.....	038636-001
23	Bottom Plate.....	033723-003

**Not Shown:**

Gasket, Wall To Arm Reveal.....	027623-001
Plate, Wall MTG .....	027526-001



## Illustrated Parts Breakdown

Models: F140R-301 & DF-2601



### DESCRIPTION

Non-refrigerated drinking fountain designed for use with packaged water chillers or for direct connection to cold water supply.

### SPECIFICATIONS

Net weight approximately 19 lbs

### **OASIS International**

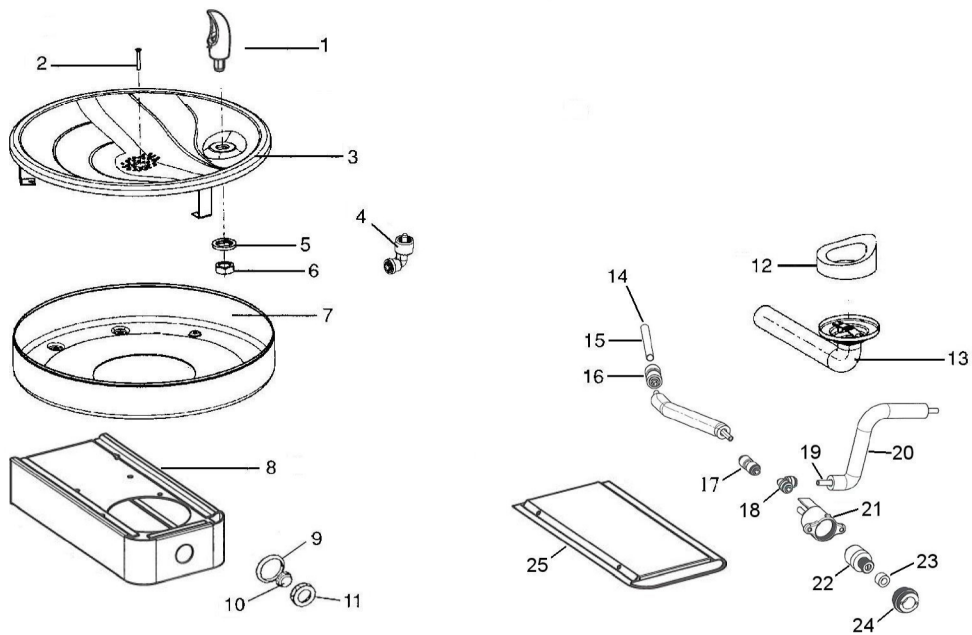
222 East Campus View Blvd - Columbus, OH 43235

614/861-1350 - Fax. 614/322-4557

[www.oasiscoolers.com](http://www.oasiscoolers.com)

OASIS is a registered trademark of LVD Acquisition, LLC dba OASIS International

© 2016 LVD Acquisition, LLC



**Item# Description**

**F140R & DF-2601**

1	Bubbler Valve.....	035607-108
2	Drain Screw.....	036049-002
3	Fountain Top Assy .....	033722P001
4	Bubbler Nut W/JG .....	036026-001
5	Washer, Under Top.....	028706-030
6	Nut .....	026824-019
7	Bottom, Bowl .....	027616-005
8	Fountain Arm.....	033606-102
9	Nut-Ring, Cartridge Holder .....	029969-001
10	Button, Push.....	024779
11	Nut, Hex Cover .....	024778
12	Waste Gasket .....	027614-002
13	Waste Assembly .....	036011-006
14	Strainer, In-Line.....	033264-003
15	Tube, Straight .....	026794-014
16	FTG, JG. Reducing Union .....	028668-001
17	FTG, PP Union 1/4" OD .....	028605-101
18	FTG, PP Union Elbow WHI .....	028481-101
19	Tubing, PE 1/4" OD White.....	029959-006
20	Insulation, Sponge Tubing .....	028485-001
21	Holder, Cartridge .....	035990-001
22	Cartridge .....	029967-005
23	Washer/Spacer.....	028706-045
24	Nut, Retaining Metal High.....	029970-002
25	Bottom Plate.....	033723-003

Not Shown:

Gasket, Wall To Arm Reveal.....	027623-001
Plate, Wall MTG .....	027526-001