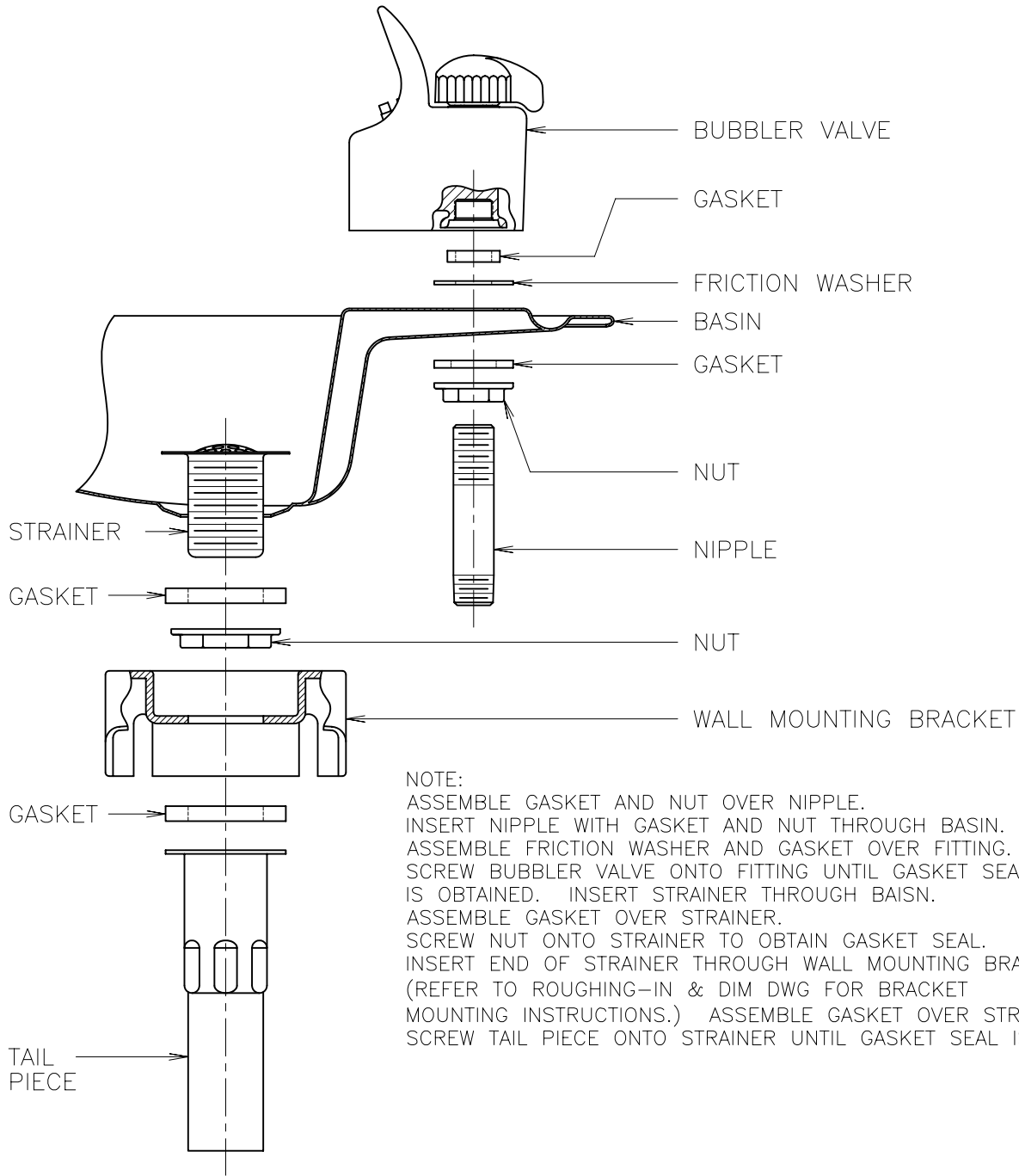


**FOUNTAIN MODELS
OASIS® F120
SUNROC DF-7001
ASSEMBLY INSTRUCTIONS**



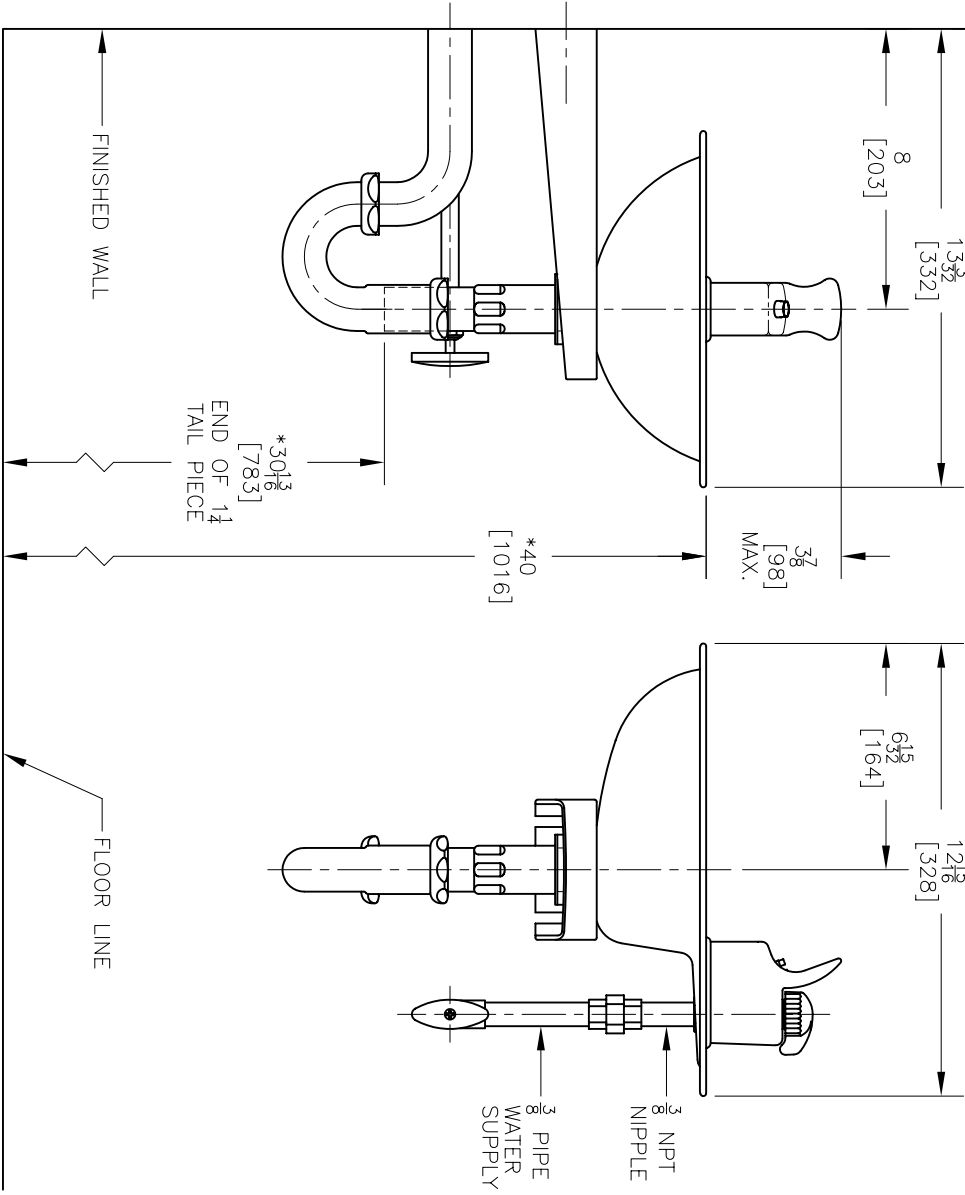
NOTE:
 ASSEMBLE GASKET AND NUT OVER NIPPLE.
 INSERT NIPPLE WITH GASKET AND NUT THROUGH BASIN.
 ASSEMBLE FRICTION WASHER AND GASKET OVER FITTING.
 SCREW BUBBLER VALVE ONTO FITTING UNTIL GASKET SEAL IS OBTAINED. INSERT STRAINER THROUGH BASIN.
 ASSEMBLE GASKET OVER STRAINER.
 SCREW NUT ONTO STRAINER TO OBTAIN GASKET SEAL.
 INSERT END OF STRAINER THROUGH WALL MOUNTING BRACKET.
 (REFER TO ROUGHING-IN & DIM DWG FOR BRACKET MOUNTING INSTRUCTIONS.) ASSEMBLE GASKET OVER STRAINER.
 SCREW TAIL PIECE ONTO STRAINER UNTIL GASKET SEAL IS OBTAINED.



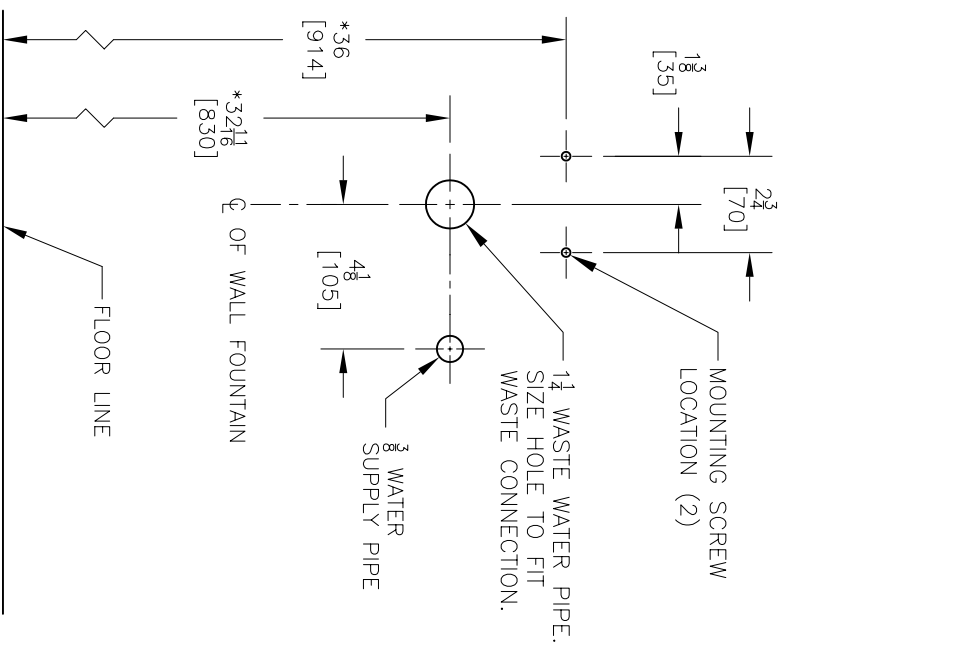
222 East Campus View Blvd. • Columbus, OH 43235 U.S.A.
 1-800-950-3226
 www.oasiscoolers.com

FOUNTAIN MODELS
OASIS® F120
SUNROC DF-7001

DIMENSIONAL DRAWING



ROUGHING-IN DRAWING



NOTES:

- TRAP, FIXTURE STOP VALVE, 3/8 WATER SUPPLY PIPES, AND UNION NOT FURNISHED WITH DRINKING FOUNTAIN.
- RECOMMENDED ADULT HEIGHT INSTALLATION SHOWN. ADJUST VERTICAL DIMENSIONS AS REQUIRED TO COMPLY WITH FEDERAL, STATE AND LOCAL CODES.
- ALL DIMENSIONS ARE IN INCHES. DIMENSIONS IN BRACKETS [] ARE IN MILLIMETERS.
- THE FOLLOWING STATES REQUIRE A LICENSED PLUMBER TO INSTALL FOUNTAIN: AR, GA, MA, MI, OK, RI, SC, SD, TX, VT AND WI. CA, KS, MN, NM, AND OR ALLOW FOR A STATE REGISTERED INSTALLER OR CONTRACTOR AS WELL. STATE AND LOCAL PLUMBING CODES MAY PROHIBIT THE USE OF SADDLE TAPPING VALVES FOR WATER LINE CONNECTION IN SOME APPLICATIONS. ALL CONNECTIONS MUST CONFORM TO APPLICABLE PLUMBING CODES.

 THIRD ANGLE PROJECTION	 ROUGHING-IN AND DIMENSIONAL DRAWING
--	---