



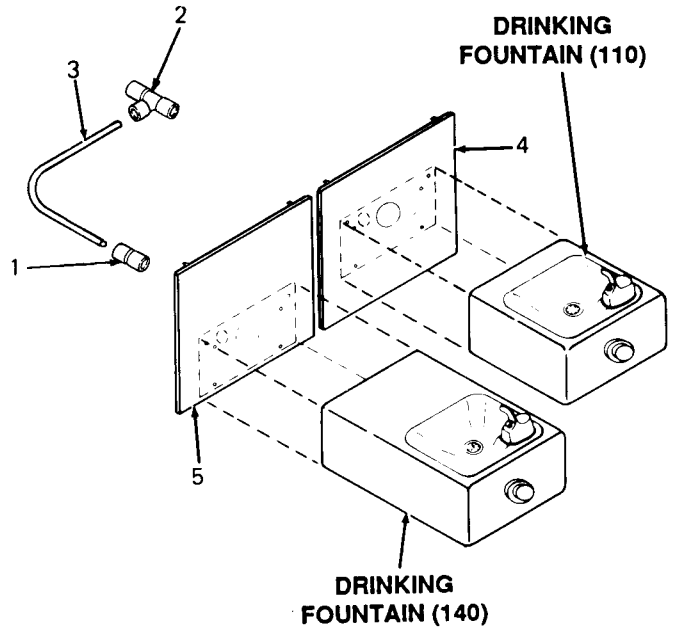
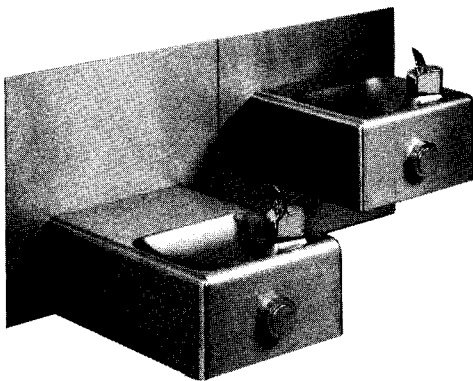
AQUARIUS

Kelvinator

White-Westinghouse®

ILLUSTRATED PARTS BREAKDOWN

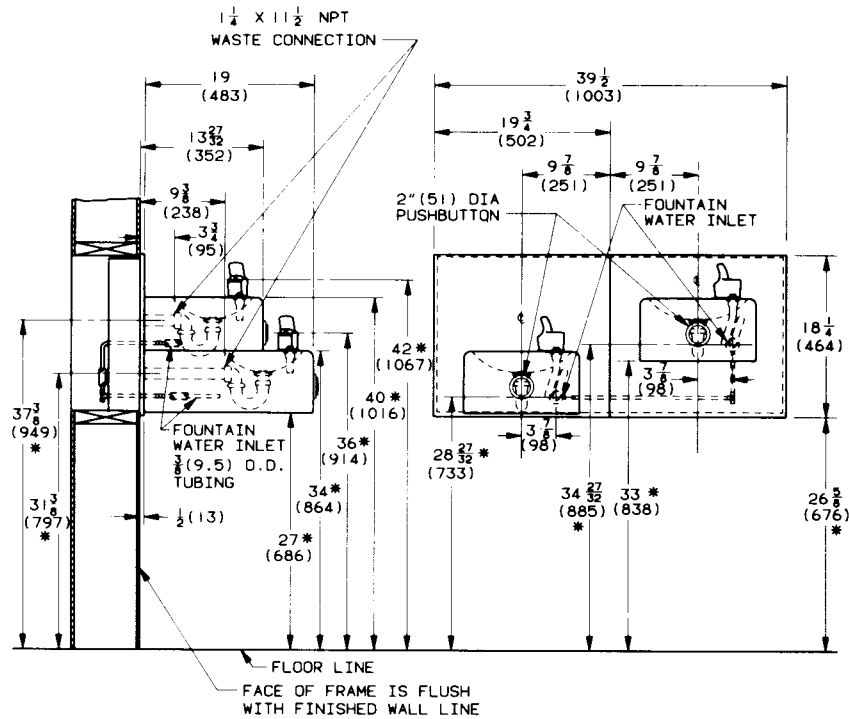
**MODULAR SPLIT-LEVEL
DRINKING FOUNTAIN MODELS:
MSSLPM**



PARTS LIST

ITEM NO.	DESCRIPTION	
1	Coupling, 3/8 X 3/8	029170-001
2	Tee Solder Fitting, 3/8	007569
3	Fountain to Fountain Tube Assembly	029265-001
4	Upper Panel Assembly (110)	027624-006
5	Upper Panel Assembly (140)	027624-005
	Drinking Fountain (110 & 140)	Form No. 6033

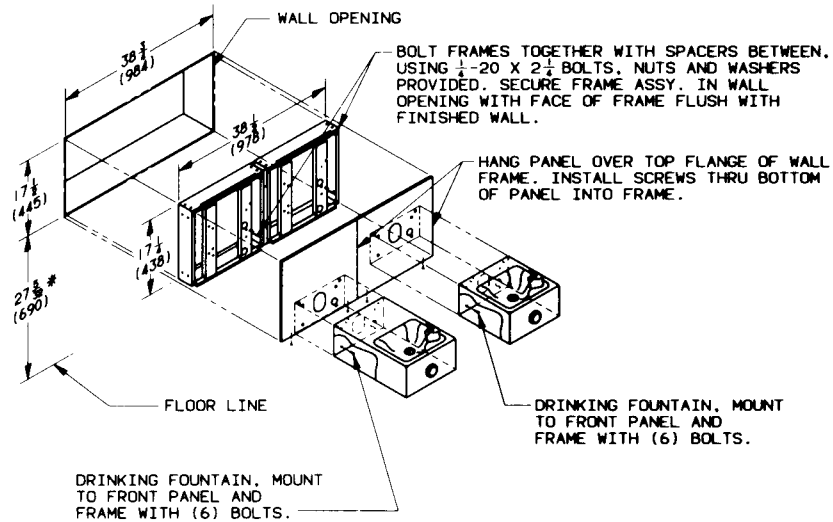
ROUGHING-IN & DIMENSIONAL DRAWING



NOTES:

1. ALL DIMENSIONS ARE IN INCHES.
2. DIMENSIONS IN PARENTHESIS () ARE IN MILLIMETERS.
3. STOP VALVE NOT PROVIDED WITH UNIT.
- * 4. RECOMMENDED ADULT HEIGHT INSTALLATION SHOWN. ADJUST VERTICAL DIMENSIONS AS REQUIRED TO COMPLY WITH FEDERAL, STATE, AND LOCAL CODES.

WALL OPENING & ASSEMBLY



OASIS® & AQUARIUS® are registered trademarks of EBCO Manufacturing Company
The trademarks Kelvinator® and White-Westinghouse® are used under license from White Consolidated Industries, Inc.

EBCO®
MANUFACTURING COMPANY

265 N. Hamilton Rd. • P.O. Box 13150 • Columbus, OH 43213-0150 • 614/861-1350 • Fax: 614/861-5017

Printed in U.S.A.
Copyright 1994 EBCO Manufacturing Co.