



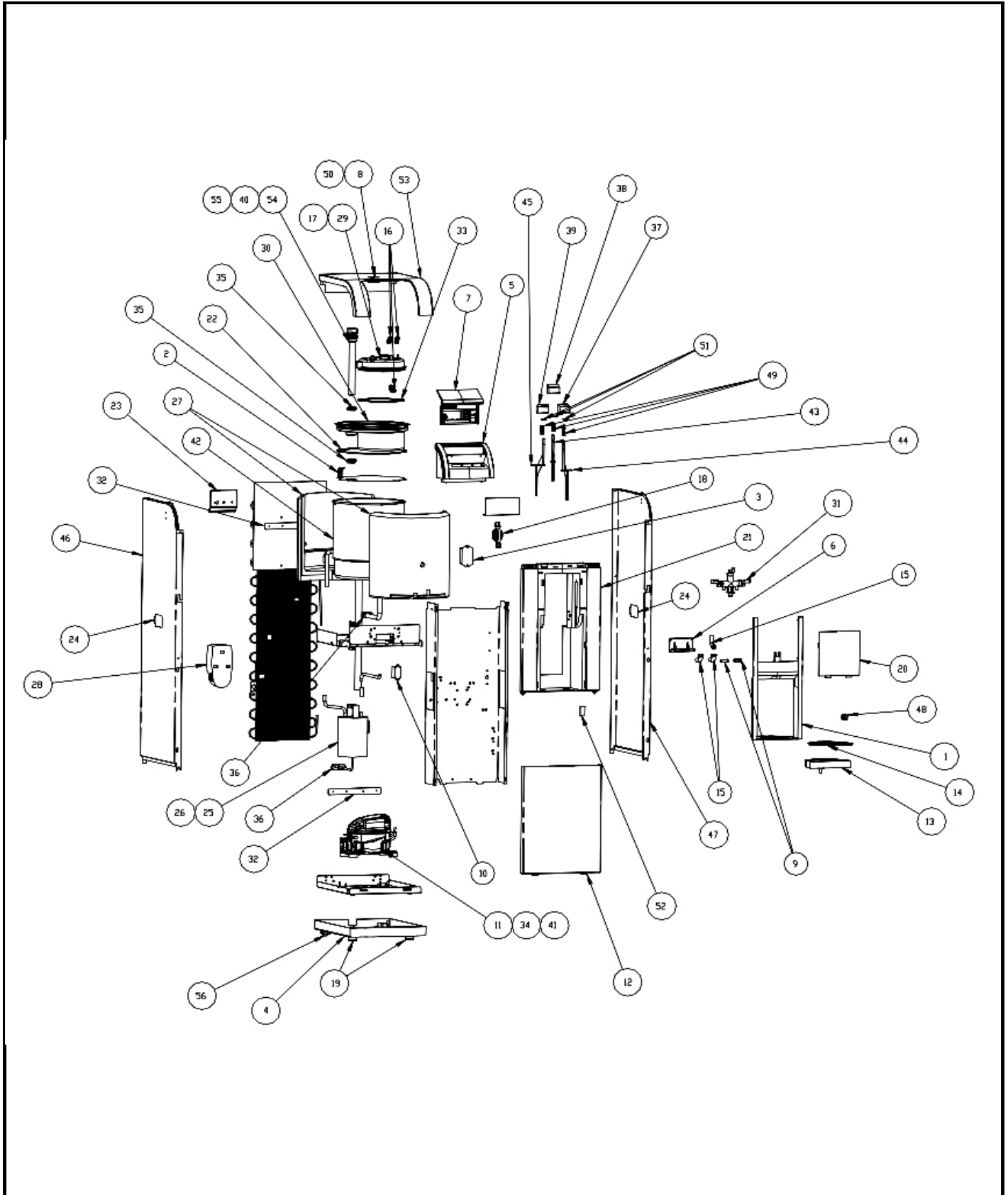
## Illustrated Parts Breakdown



### Specifications:

#### **Model POU2LRHK, POC2LRHK**

Voltage	115VAC, $\pm 10\%$ , 1 PH, 60 Hz
Size	44-3/4" H, 12-3/4" W, 16-3/4" D
Shipping Weight	60 lbs.
Cold Water Capacity	2 GPH
Compressor	1/20 hp
Compressor (Full Load)	5.5 amps
Refrigerant	134a
Refrigerant Charge	1.4 oz.

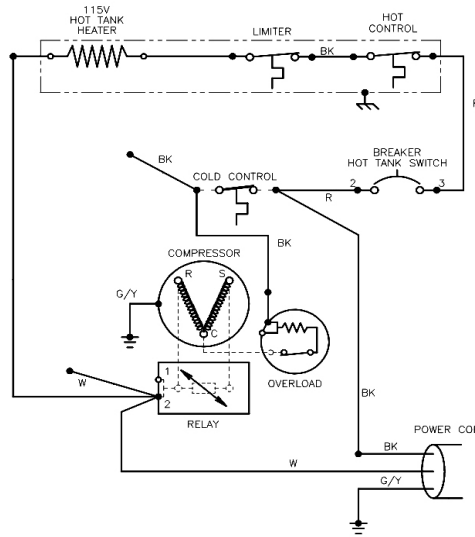


## Parts List

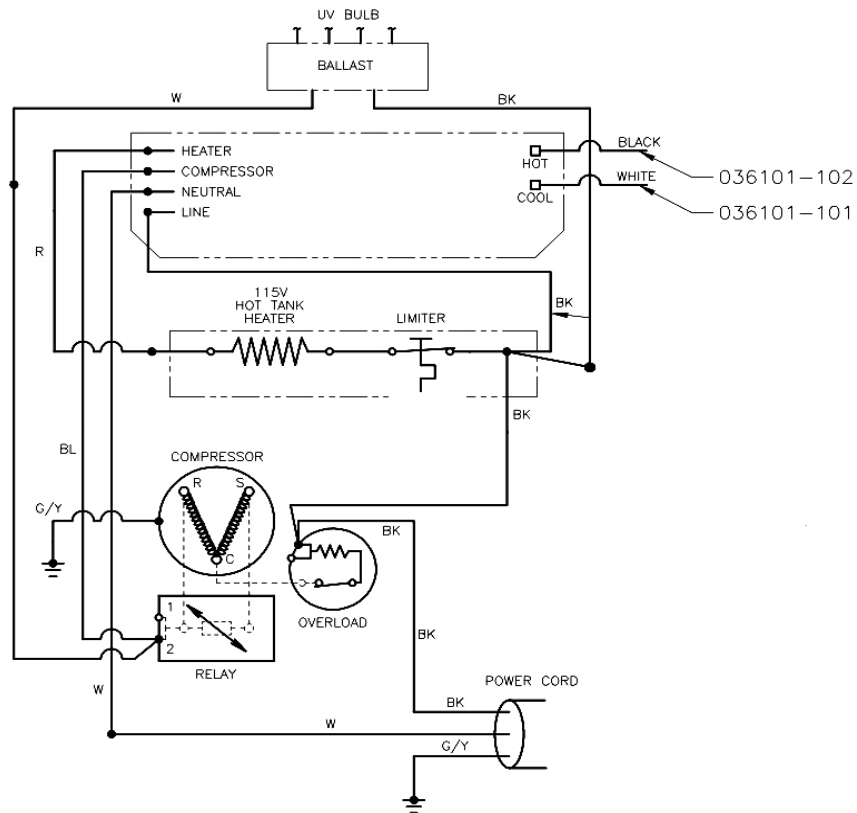
Item #	Description	POU2LRHK	POC2LRHK
1	ALCOVE, FAUCET	036369-002	036369-002
2	BAFFLE	036344-001	036344-001
3	BALLAST	022753-102	022753-102
4	BASE, ASSEMBLY, PLASTIC	036648-001	036648-001
5	BRACKET,BUTTON MOUNTING	036370-001	036370-002
6	BRACKET, ELBOW HOLDER	036438-001	036438-001
7	BRACKET ASSY,PCB & DISPLAY	036458-001	036458-002
8	BUTTON, RESET LOGO	036445-001	035445-001
9	CLIP, SILICONE ELBOW	036439-001	036439-001
10	COLD CONTROL	027040-055	N/A
11	COMPRESSOR,HUAYI / B25H5	036904-001	036904-001
12	DOOR, FILTER ACCESS	036352-001	036352-001
13	DRIP TRAY	036353-001	036353-002
14	DRIP TRAY GRILLE	036354-001	036354-001
15	ELBOW, MANIFOLD, SILICONE	036443-002	036443-002
16	ELBOW,PP 1/4 OD UNION	028481-101	028481-101
17	FILTER, AIR	033347-001	033347-001
18	FLOW MONITOR	N/A	033598-005
19	FOOT PAD	036095-003	036095-003
20	FRONT PANEL, CENTER	036647-001	036647-002
21	FRONT PANEL, UPPER	036351-001	036351-001
22	GASKET,SS RESERVOIR LID	036442-002	036442-002
23	HANDLE, REAR	034050-002	034050-002
24	HANDLE, SIDE	036094-001	036094-001
25	HOT TANK	036654-001	036654-001
26	INSULATION SET, HOT TANK	036655-001	036655-001
27	INSULATION SET, RESERVOIR	036338-001	036338-001
28	LEAK CONTROLLER	036349-001	036349-001
29	LID ASSEMBLY,FLOAT	036487-001	036487-001
30	LID ASSEMBLY SS	036346-001	036346-001
31	MANIFOLD ASSY	036356-101	036356-101
32	NUT PLATE	020496-001	020496-001
33	O-RING PLASTIC LID	036442-001	036442-001
34	OVERLOAD (HUAYI AES-25-DS)	036055-001	036055-001
34	OVERLOAD (HUAYI B25H5)	036903-001	036903-001
35	PLUG, BAFFLE & UV NUT	036453-001	036453-001
36	DRAIN PLUG ASSEMBLY	036658-001	036658-001
37	PUSHBUTTON, COLD	036360-001	036360-001
38	PUSHBUTTON, COOK	036361-001	036361-001
39	PUSHBUTTON ASSY, HOT W/SAFETY	036650-001	036650-001
40	QUARTZ SLEEVE ASSY, UV	035113-003	035113-003
41	RELAY (HUAYI)	036056-001	036056-001
42	RESERVOIR ASSY W/HEAT EXCHANGER	N/A	N/A
43	ROD, VALVE , COOK	036366-001	036366-001
44	ROD, VALVE, COLD	036364-001	036364-001
45	ROD, VALVE HOT	036365-001	036365-001
46	SIDE PANEL ASSY, LEFT	036485-001	036485-002
47	SIDE PANEL ASSY , RIGHT	036486-001	036486-002
48	SPOUT, NOZZLE	036363-001	036363-001
49	SPRING, BUTTON	027638-009	027638-009
50	SPRING, RESET BUTTON	027638-010	027638-010
51	STOP, BUTTON SPRING	036437-001	036437-001
52	SWITCH, HOT TANK	029545-006	N/A
53	TOP ASSY,CABINET	036646-001	036646-001
54	UV BULB & QUARTZ SLEEVE ASSY	035126-002	035126-002
55	UV BULB ASSY	035126-002	035126-002
56	WHEEL ASSY	036653-001	036653-001
Items not shown:			
	HT9A SERVICE KIT,ELEMENT	035935-001	035935-001
	HT9A SERVICE KIT,CONTROLS	036913-001	N/A
	NTC COLD	N/A	036101-101
	NTC HOT	N/A	036101-102
	THERMOSTAT,HOT	033588-002	N/A
	THERMOSTAT, HOT LIMITER	033588-003	033588-003
	TUBE, TYGOPRENE	035807-001	035807-001
	FLOAT SWITCH - ELECTRONIC FLOAT SYSTEM	038856-001	038856-001
	COVER, SS LID - ELECTRONIC FLOAT SYSTEM	038857-001	038857-001
	PCB BOARD - ELECTRONIC FLOAT SYSTEM	038858-001	038858-001
	PCB ENCLOSURE - ELECTRONIC FLOAT SYSTEM	038859-001	038859-001
	SOLENOID VALVE - ELECTRONIC FLOAT SYSTEM	038860-001	038860-001

# Wiring Diagrams:

## POU2LRHK



## POC2LRHK



### OASIS International

222 East Campus View Blvd - Columbus, Ohio 43235 U.S.A.  
 1-800-64-OASIS (1-800-646-2747)  
[www.oasiscoolers.com](http://www.oasiscoolers.com)