

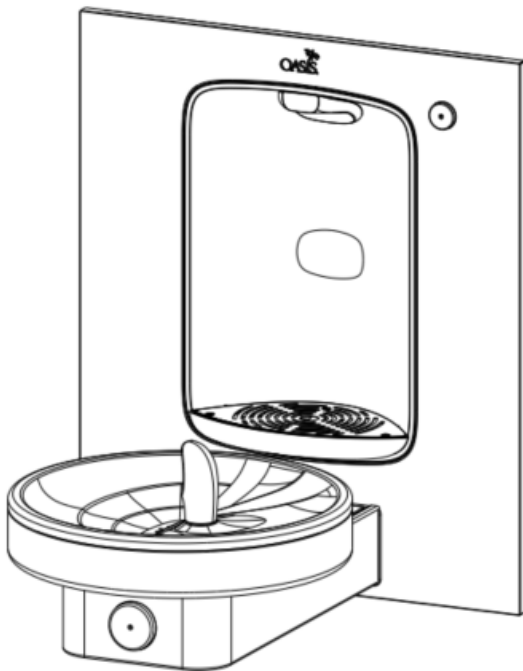
User Guide



AQUA POINTE® Drinking Fountain with Bottle Filler

M140RSBF

M140REBF



OASIS® AQUA POINTE® DRINKING FOUNTAIN WITH BOTTLE FILLER

INSTRUCTIONS

1. INSPECTION

Inspect the cartons and various components for evidence of rough handling and concealed damage. Damage claims should be filed with the carrier.

2. INSTALLATION, PLUMBING & ELECTRICAL CONNECTIONS

- a) **Note:** The following states require a licensed plumber to install cooler; AR, GA, MA, MI, OK, RI, SC, SD, TX, VT and WI. CA, KS, MN, NM and OR allow for a state-registered installer or contractor as well. State and local plumbing codes may prohibit the use of saddle tapping valves for water line connection in some applications. All connections must conform to applicable plumbing codes.
- b) Plumbing rough-in and wall opening should be prepared as shown on Roughing-in drawing. This drinking water cooler is designed to be operated at a water supply line pressure of up to 100 psi (690 kPa). A pressure regulator must be installed in front of the unit's water inlet if the water pressure (including any possible pressure spikes) could exceed 100 psi (690 kPa).
- c) Insert frame assembly into wall opening and secure to studs. **NOTE: FRONT FLANGE OF FRAME MUST BE FLUSH WITH THE FINISHED WALL SURFACE.**
- d) It is recommended that flexible conduit be used to supply power when applicable to electronic bottle filler electrical box in frame. Check electric current available. Type and voltage must be the same as listed on unit data plate. This drinking water cooler is intended to be connected to a 20A minimum ground fault circuit interrupting (GFCI) device to meet UL requirements.
- e) Install provided waste tee to bottle filler tailpiece.
- f) Install the fountain mounting plate to the frame assembly using provided screws.
- g) Prior installing upper panel assembly with hands free bottle filler:
 - 1) To ease access to the remote toggle button for programming once the panel assembly and fountain is installed, feed the remote toggle button through the fountain mounting plate noted in step f. After unit is completely assembled, refer to the "Set-Up Guide for Oasis® Hands-Free Bottle Filler Electronics" to change program settings.
 - 2) Attach the long green ground wire to the electrical box and plug in cord for sensor operation.
- i) Place panel in place on frame top angle and fasten with 2 flat head screws, provided, at the bottom.
- j) Remove bottom plate from fountain arm. Save the screws.
- k) Snap reveal gasket over back end(s) of fountain arm.
- l) Add compression connector, furnished by others, to fountain waste tube and slide back approximately 3" out of way. Use a 3/8 compression fitting for water line connections, provided by others. An internal strainer is provided for water line connection. For dielectric isolation of fountain(s) a non-metallic water line connection can be used.
- m) Hang fountain on mounting plate studs. **NOTE: AS THE FOUNTAIN IS HUNG, FEED THE WASTE TUBE INTO THE WASTE STUB ON THE WALL SIDE.**
- n) Tighten fountain to mounting plate with the 5/16-18 nuts and washers and the 1/4-20 bolts and washers provided.
- o) Complete plumbing to fountain and bottle filler. Tighten waste connection and then connect water supply line with the 3/8 compression fitting.
- p) Slide reveal gasket back into notch between panel and arm. The gasket serves as an appearance item only (to close up any opening around panel and mounting plate).
- q) Check plumbing connection for leaks. On new plumbing installations, run water through the bubbler until water taste is satisfactory. Adjust regulator to achieve desired stream height. Reinstall bottom plate back to fountain arm



WARNING

The warranty and the Underwriters' Laboratory Listing for this machine are automatically voided if this machine is altered, modified, or combined with any other machine or device. Alteration or modification of this machine may cause serious flooding and/or hazardous electrical shock or fire.

EXCEPT AS SET FORTH HEREIN, THE MANUFACTURER MAKES NO OTHER WARRANTY, GUARANTEE OR AGREEMENT EXPRESSED, IMPLIED, OR STATUTORY, INCLUDING ANY IMPLIED WARRANTY OR MERCHANTABILITY OR FITNESS FOR A PARTICULAR PURPOSE.

This appliance is not intended for use by persons (including children) with reduced physical sensory or mental capabilities or who lack the experience and knowledge, unless they have been given the supervision or instruction concerning use of the appliance by a person responsible for their safety. Children should be supervised to ensure they don't play with the appliance.

OASIS INTERNATIONAL
222 East Campus View Blvd. • Columbus, OH 43235 U.S.A.
1-800-950-3226
www.oasiscoolers.com

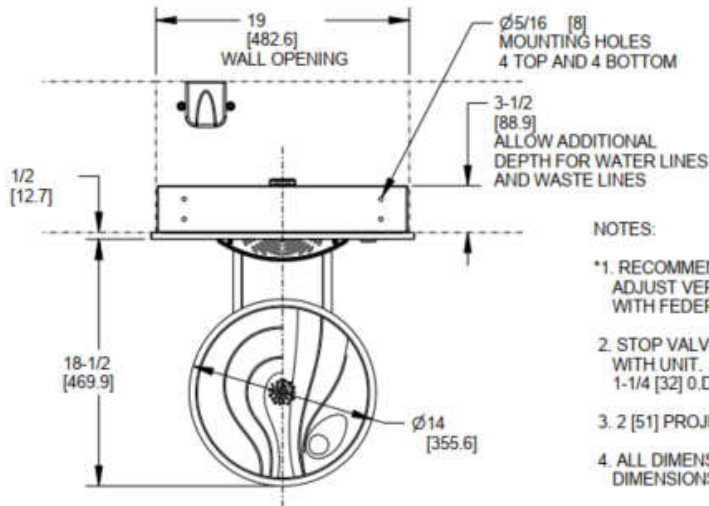
OASIS®, Aqua Pointe® and Versafiller® are registered trademarks of
LVD Acquisition, LLC dba Oasis International

© 2023 LVD Acquisition, LLC
030099-714, 7/2023



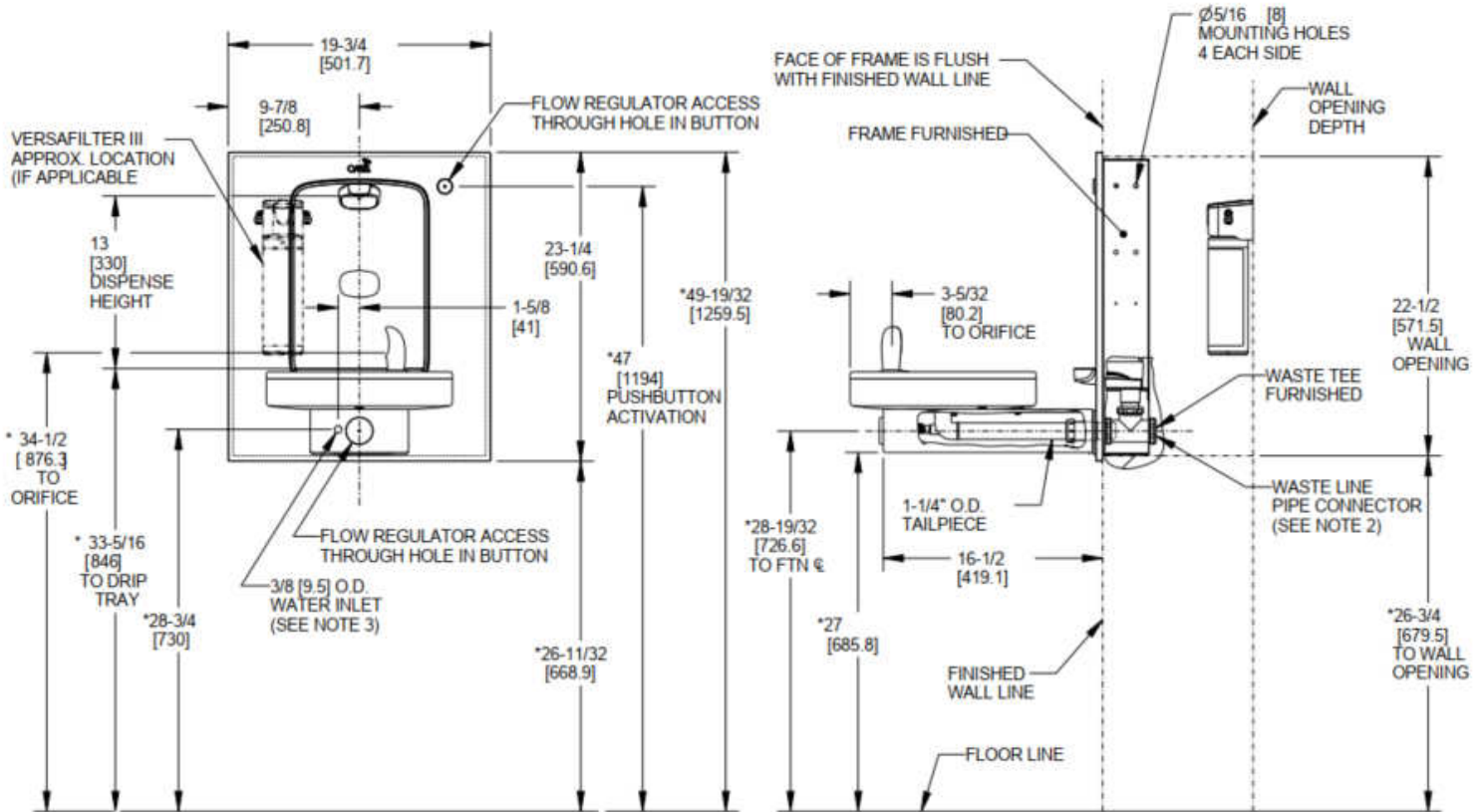
**OASIS® RADII™ MODULAR FOUNTAIN WITH VersaFiller® SPORTS BOTTLE FILLER
MODEL M140RSBF**

ROUGHING-IN AND DIMENSIONAL DRAWING



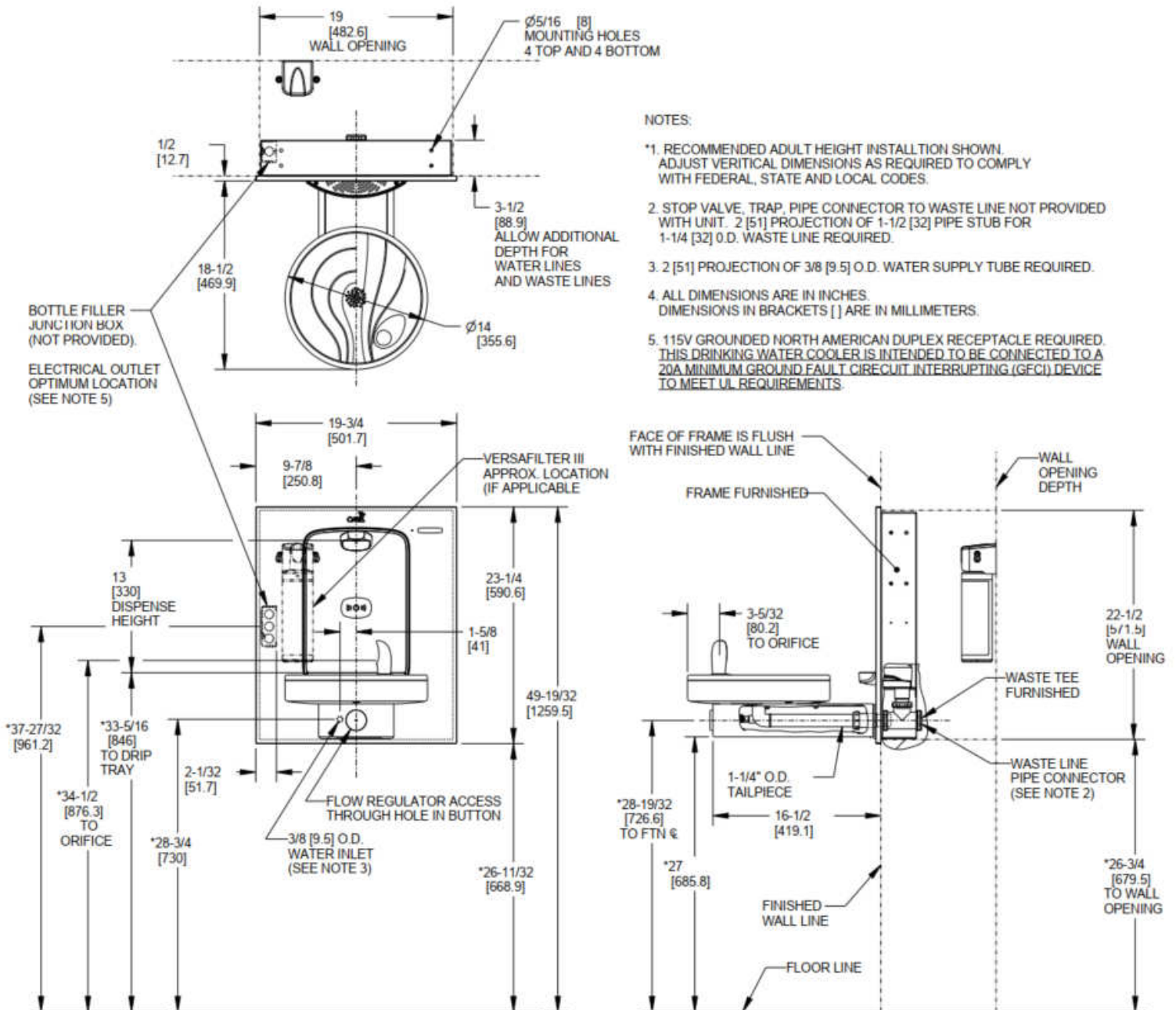
NOTES:

- *1. RECOMMENDED ADULT HEIGHT INSTALLTION SHOWN. ADJUST VERITICAL DIMENSIONS AS REQUIRED TO COMPLY WITH FEDERAL, STATE AND LOCAL CODES.
2. STOP VALVE, TRAP, PIPE CONNICTOR TO WASTE LINE NOT PROVIDED WITH UNIT. 2 [51] PROJECTION OF 1-1/2 [32] PIPE STUB FOR 1-1/4 [32] O.D. WASTE LINE REQUIRED.
3. 2 [51] PROJECTION OF 3/8 [9.5] O.D. WATER SUPPLY TUBE REQUIRED.
4. ALL DIMENSIONS ARE IN INCHES. DIMENSIONS IN BRACKETS [] ARE IN MILLIMETERS.



OASIS® RADII™ MODULAR FOUNTAIN WITH VersaFiller® HANDS FREE BOTTLE FILLER MODEL M140REBF

ROUGHING-IN AND DIMENSIONAL DRAWING



BOTTLE FILLER AND FOUNTAIN ASSEMBLY

