



VERSAFILLER®

Drinking Fountain/VersaFiller Combo Installation Instructions

Models:

- **PWSBF**
- **PWFSBF with VersaFilter III**



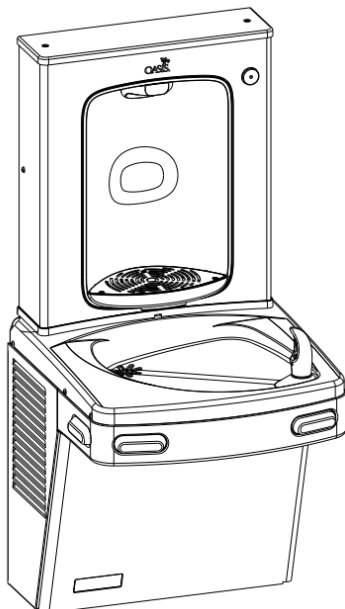
The VersaFiller is an extension of the Aqua Pointe® product line that mounts directly above Versacooler® I and II products. *No additional electrical connections are required.*

If installed onto a refrigerated cooler, chilled water can be dispensed through the VersaFiller. Otherwise, room temperature water will be dispensed.

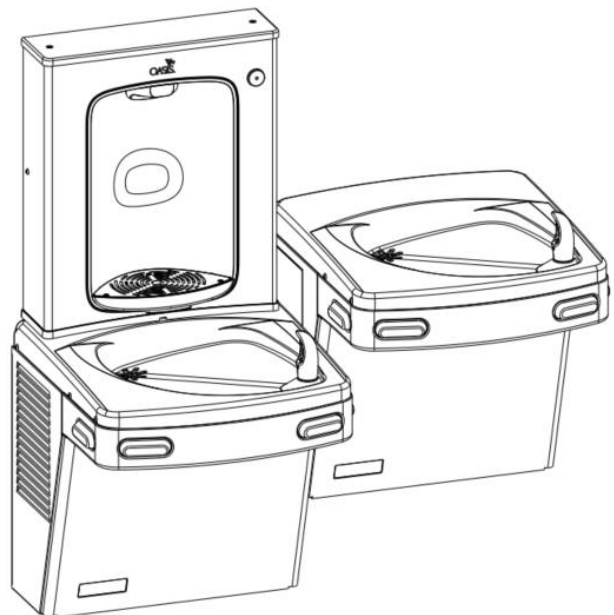
The VersaFiller is shipped partially assembled.

On the combo units, the cooler is plumbed and ready to attach to the VersaFiller.

When completed, the finished assembly will look like this:



OR



Section 1: Getting Started

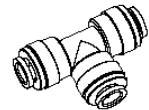
What's Included:



38" of 1/4" OD plastic tubing with 38" of sponge tubing insulation



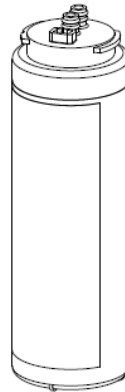
Snap bushings 7/8"



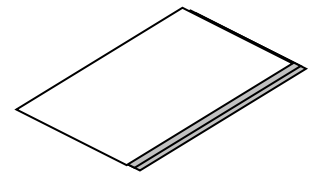
Quick connect tee fitting



Quick connect elbow fitting



VersaFilter III
(Model PWFSBF only)



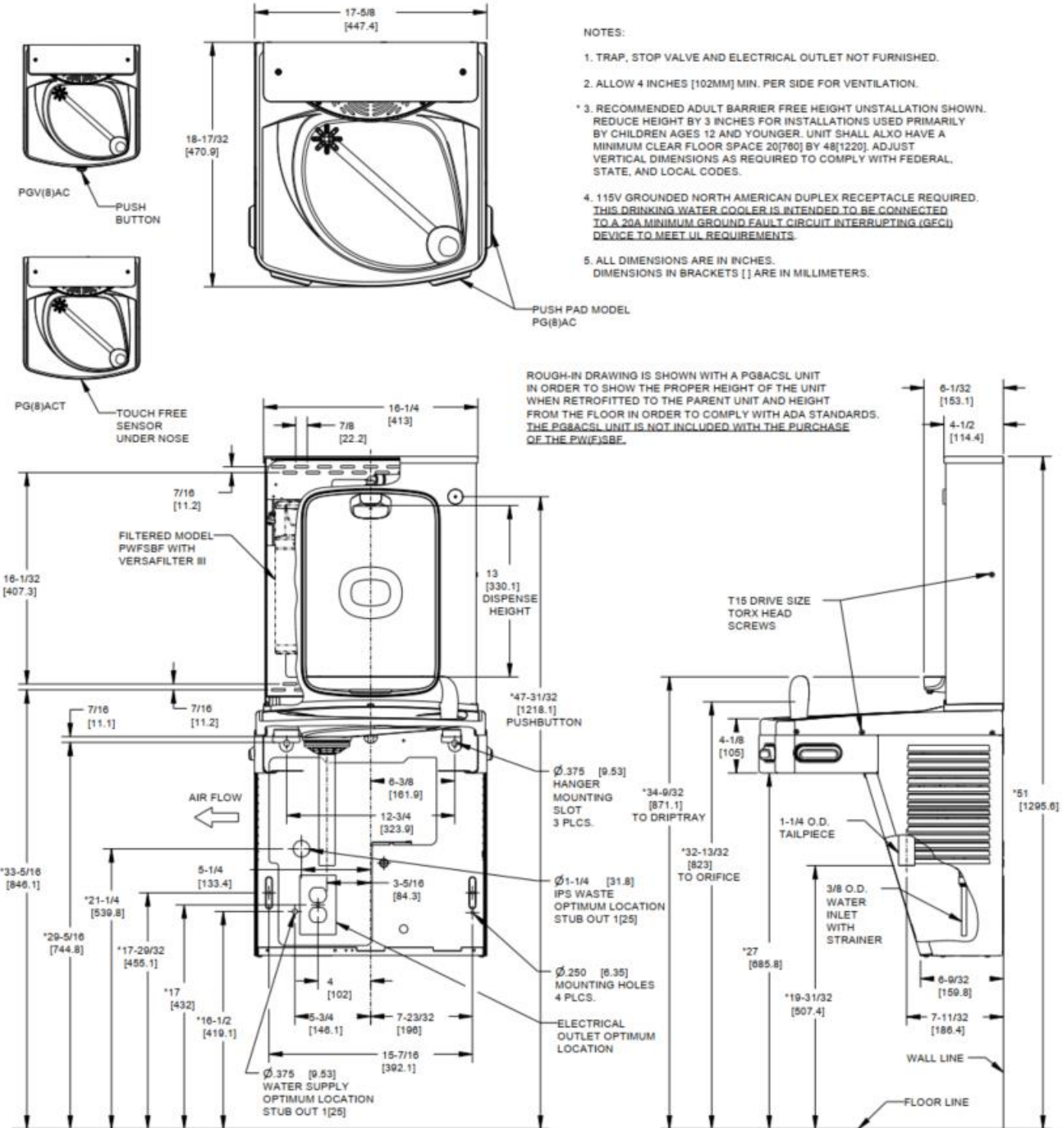
Installation instructions

Tools required:

- 3/8" pilot drill and either a step drill bit up to 7/8" diameter that will drill through SS top or 7/8" diameter punch die (retrofit version only)
- Electric drill; wrench for punch die
- Small tubing cutter for copper tube
- 1/4" nut driver
- # 2 Phillips screwdriver
- #15 torx bit driver

Section 2: Rough In Drawing

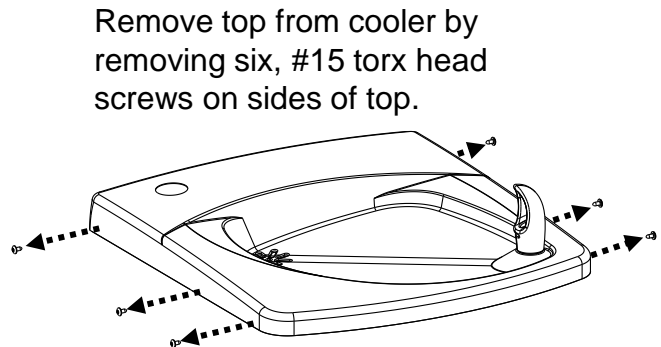
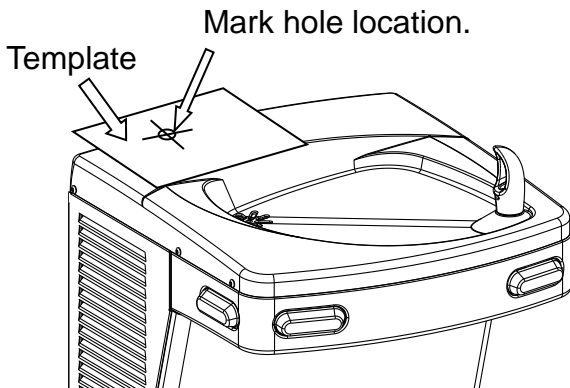
Oasis® PWSBF & PWFSBF: Versacooler® II Models PGAC, PG8AC, PGVAC, PGV8AC, PRACT, PG8ACT with Sports Bottle VersaFiller®



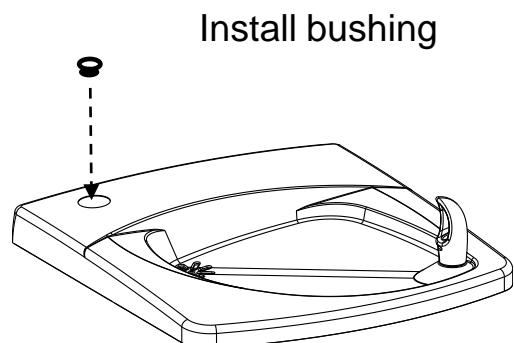
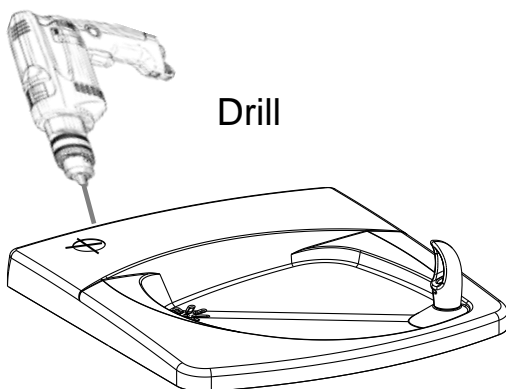
Note: Proceed to Sect 3B Step 5 “Final steps for both product families” if the cooler is purchased “VersaFiller ready”.

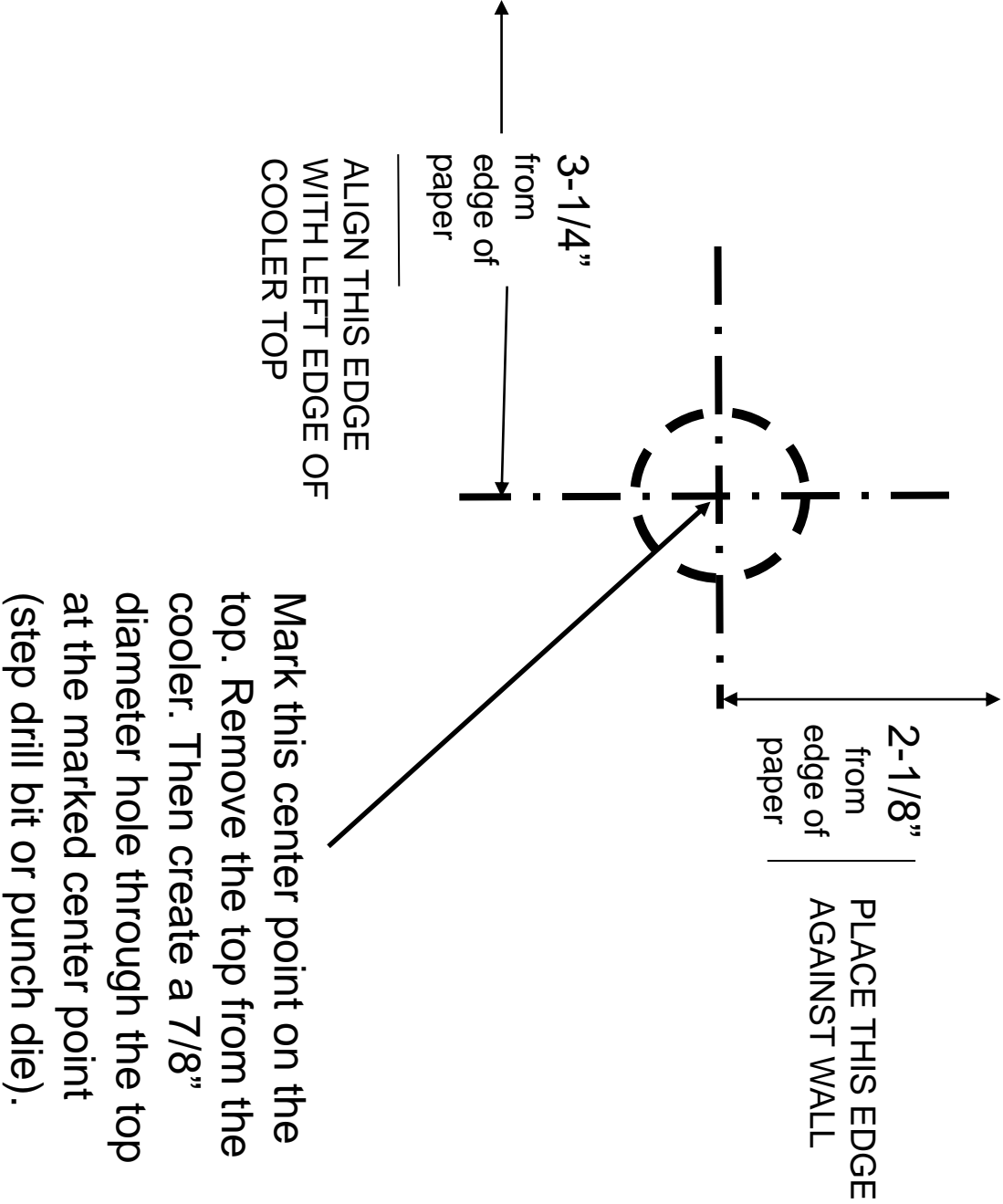
A: Drilling hole in the top for water line connection.

1. Disconnect power by UNPLUGGING unit. It might be necessary to remove the front panel to get access to the power.
2. Turn OFF water supply to the unit. It might be necessary to remove the front panel to access the water stop valve.
3. Place hole template onto cooler top so it is aligned with the left side of unit and wall. SEE NEXT PAGE FOR TEMPLATE
4. Mark hole location
5. Remove top from unit.



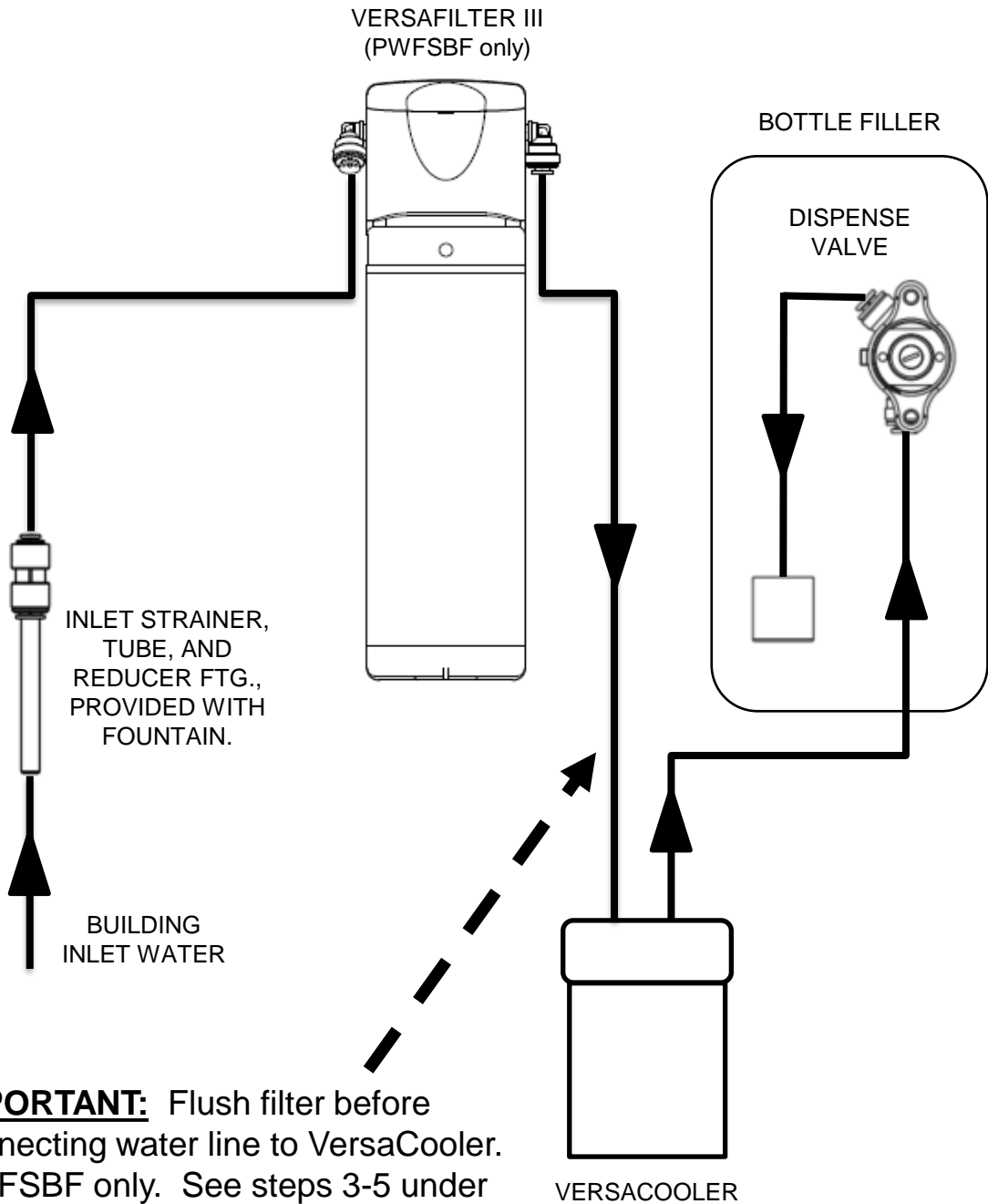
6. Using a step drill bit or 7/8" punch die, make a 7/8" hole through top. You may want to drill a pilot hole to get these started.
7. Install snap bushing into hole to protect tubing from being cut.





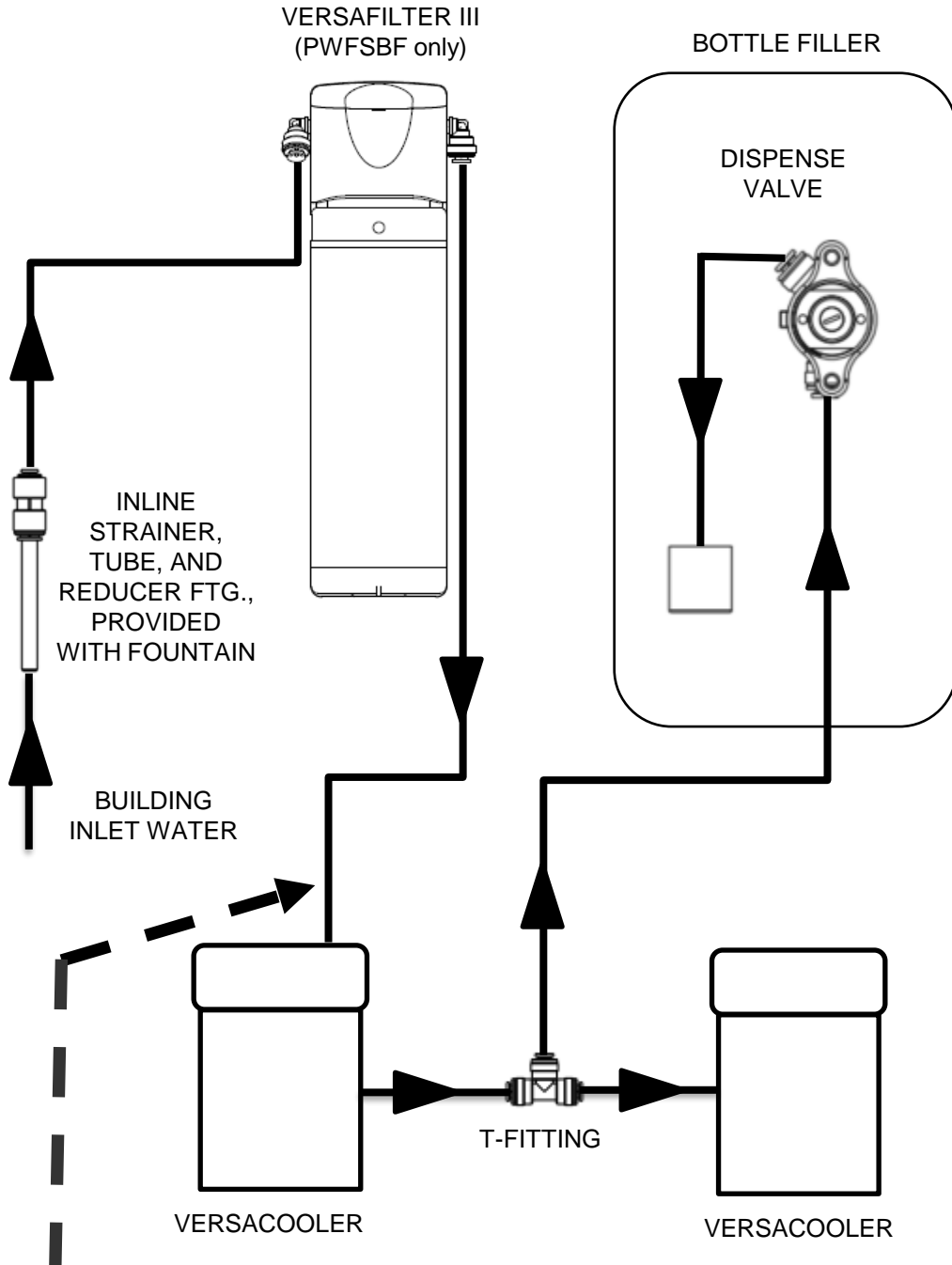
USE THIS TEMPLATE TO MARK THE HOLE LOCATION ON COOLER TOP

Versacooler to Bottle Filler Plumbing Diagram



IMPORTANT: Flush filter before connecting water line to VersaCooler. PWFSBF only. See steps 3-5 under Section 3D on page 16.

Two Versacoolers to Bottle Filler Plumbing Diagram



IMPORTANT: Flush filters before connecting water line to VersaCooler. PWFSBF only.
See steps 3-5 under Section 3D on page 16.

B: Connecting the water line

Note: If you are retrofitting the Versafiller to an existing cooler, follow the instructions starting on page 11.

For the single “Versafiller ready” cooler, the tube to connect to the Versafiller is found inside the access panel (the compressor compartment) or found inside the Bottle Filler. This tube supplies cold water from the cooling tank to the Versafiller.

1/4" OD tube to connect to Versafiller

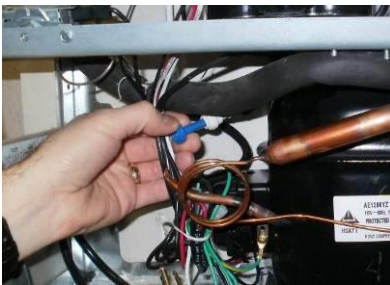


For split level “Versafiller ready” coolers, the tube to plumb in the Versafiller is packaged in the dummy unit or found inside the Bottle Filler.

Remove tube from bag.



First, remove plug from fitting on tank drain



Next, insert end of tube into fitting.



The tee and tube to the Versafiller are packaged with the PWEBF unit. One branch of the tee will supply the valve on the dummy unit, the other branch of the tee will connect to the Versafiller.

If a filter is being installed, cut a piece of tubing about 3" long to insert (optional) flow switch right after filter and before tee. This allows Versafiller counter to accurately calculate amount of water passing through filter.

Tube to connect valve
on dummy unit



Tube to connect
Versafiller

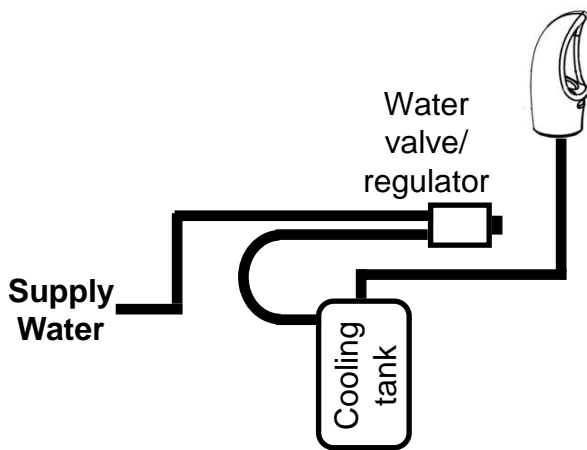
Tube to connect chilled
water to dummy unit
and Versafiller



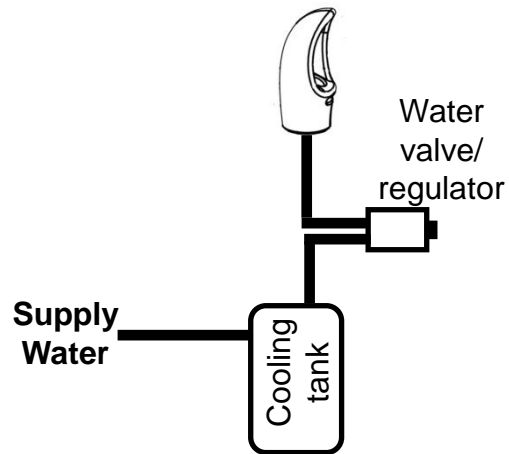
Go to Step 5 "Final steps for both product families:"

To retrofit the Versafiller to an existing unit, follow the instructions below:

If the cooling tank is non-pressurized, then go to the “Pressurizing the cooling tank” addendum section. Otherwise, proceed to step 1 below. Non-pressurized units are single units made since December of 2009. Refer to the schematic below to identify the system that you have.



NON-PRESSURIZED COOLING TANK



PRESSURIZED COOLING TANK

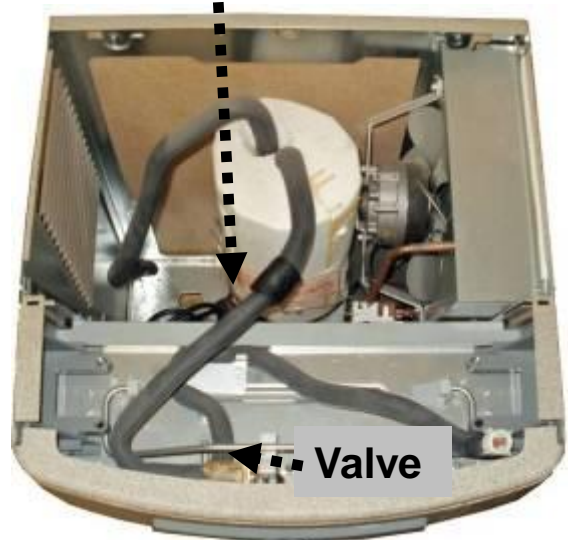
1. With the cooler top removed, find the tube going from the cooling tank outlet to the valve. The TEE fitting (supplied) will need to connect between the cooling tank and valve.

Outlet Tube (insulated plastic)



P8AC family

Outlet Tube (insulated copper)



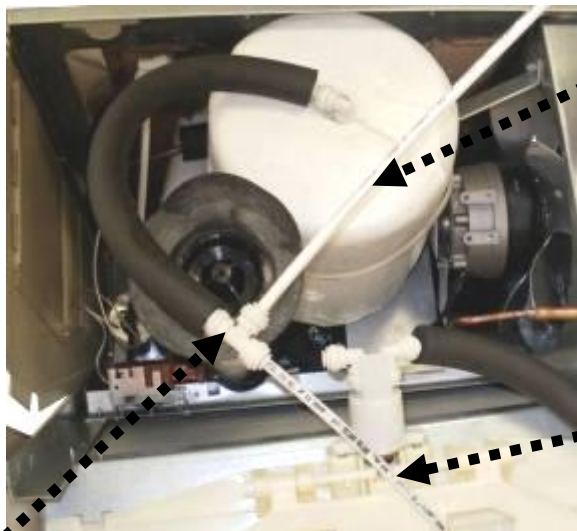
P8AM family

Section 3B: Installation: For the P8AC Version: Versacooler II

2. Disconnect tubing from the elbow on the valve.



3. Using the 38" piece of tubing provided, cut 6" and install it on the end of the TEE. Install the remaining tubing onto the branch of the TEE. Connect the other end of the TEE to the tank outlet tubing (tube that was disconnected from the elbow).



32" tubing

6" tubing

TEE

4. Route the TEE and tubing under the waste drain and connect the 6" length to the water valve elbow.



Water
valve
elbow

Go to Step 5 "Final steps for both product families:"

Section 3B: Installation: For the P8AM Version: Versacooler I

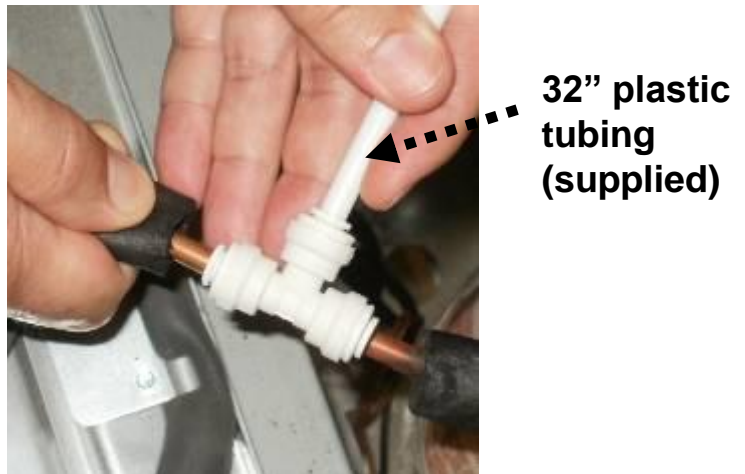
2. Remove tar tape from the insulation on the outlet tube.



3. Pull back insulation and cut the copper tube with a tubing cutter. Cut where there is at least 1 inch of *straight* tubing on each side of the cut.



4. Install TEE fitting by connecting the copper tubing to each end. Then install the 32" piece of plastic tubing to the TEE branch.

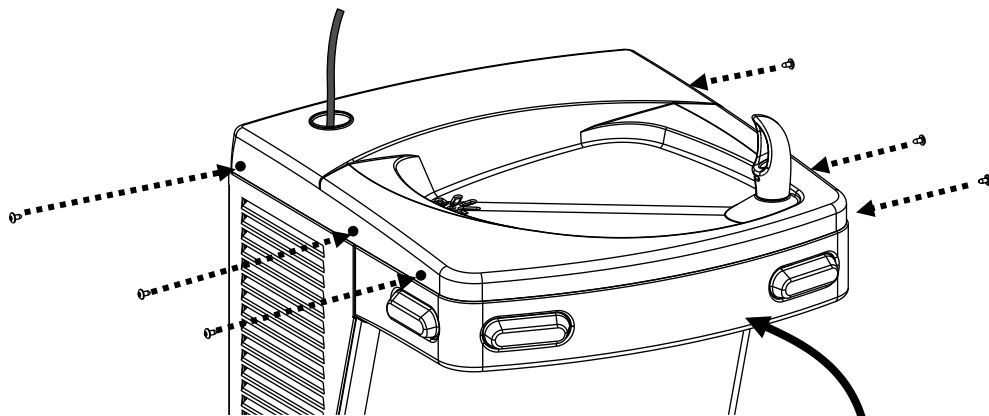
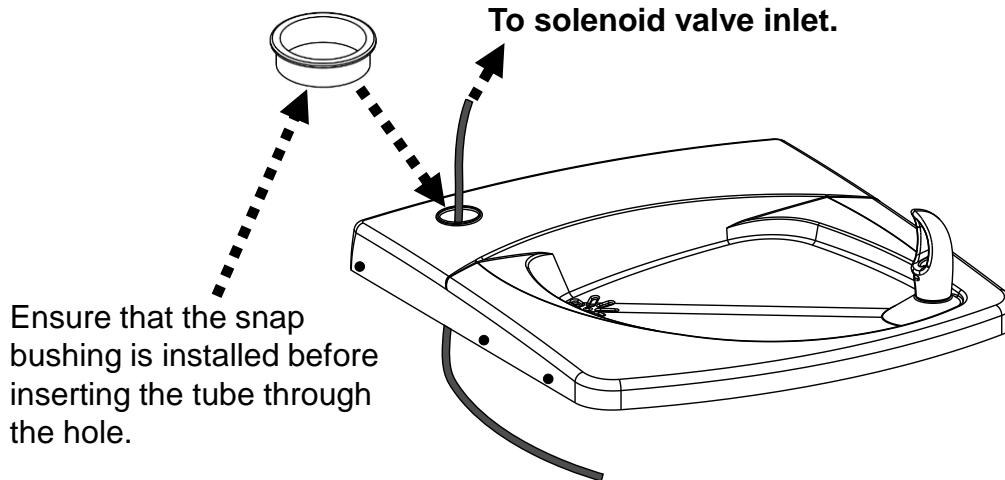


Section 3B: Installation: **Final steps for both product families:**

5. Feed black and blue tubing up through bushing in top.

- For single unit, also feed white tube attached to tee through bushing.
- For split level, connect tee and white tube packed with bottle filler per schematic below.

Attach top to cooler.



TIP: For the P8AM, it is easier to connect the outlet tube to the bubbler if the front nose is removed.

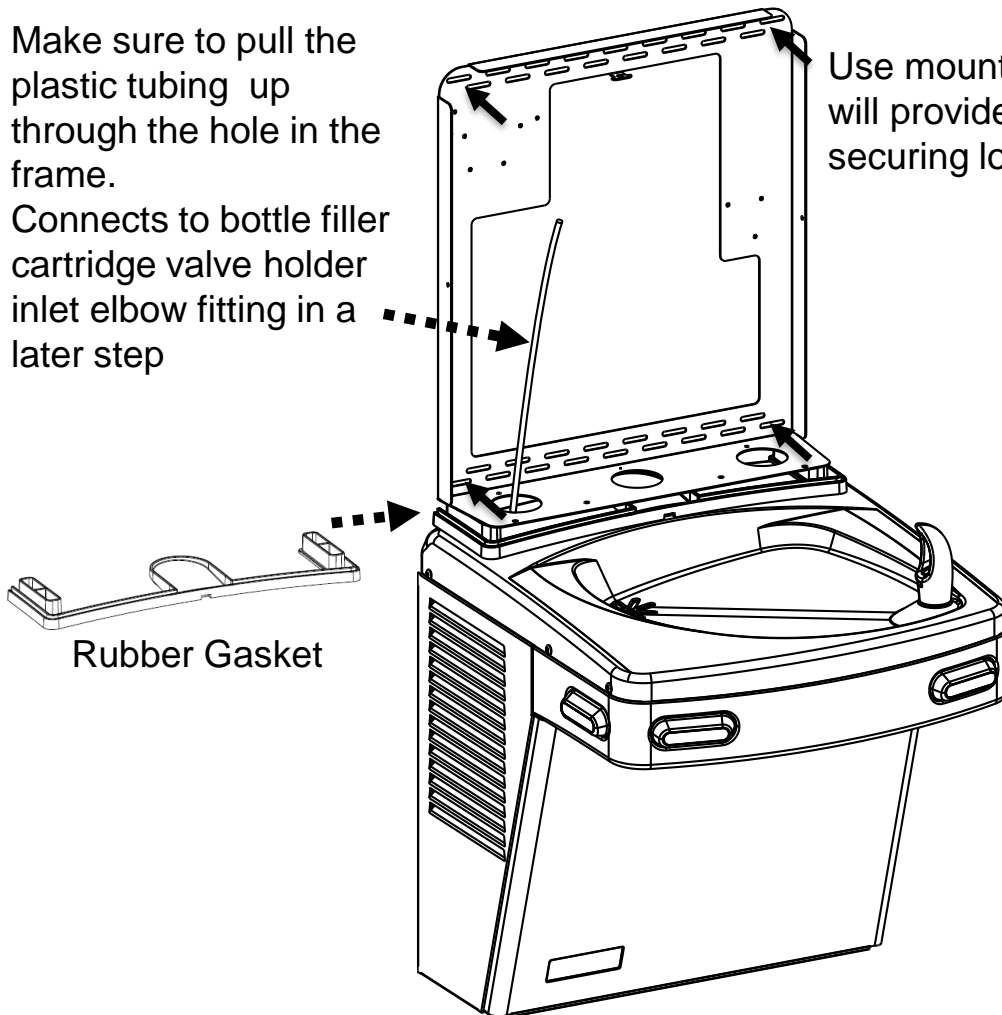
C: Mounting the frame to the wall

1. Place rubber gasket on top of the cooler so it is centered left/right and against the wall.
2. Set the wall frame onto the gasket. Center it left/right and push it against the wall and mark hole locations for wall fasteners. The gasket will set the frame at the proper height.

Make sure to pull the plastic tubing up through the hole in the frame.

Connects to bottle filler cartridge valve holder inlet elbow fitting in a later step

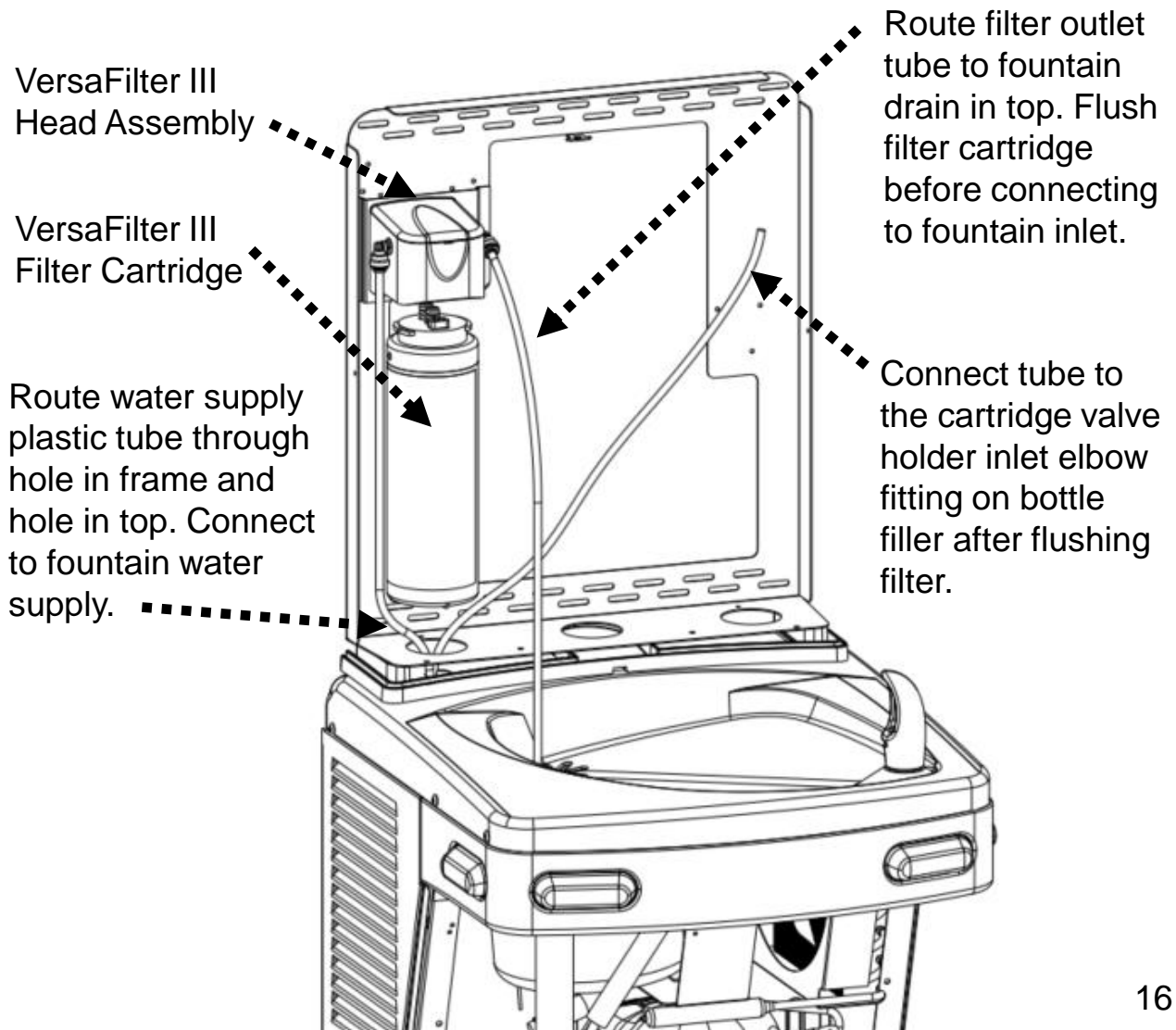
Use mounting slots that will provide the proper securing location.



3. Secure frame to the wall with fasteners (not provided). Pull plastic tubing up through the hole in the frame.

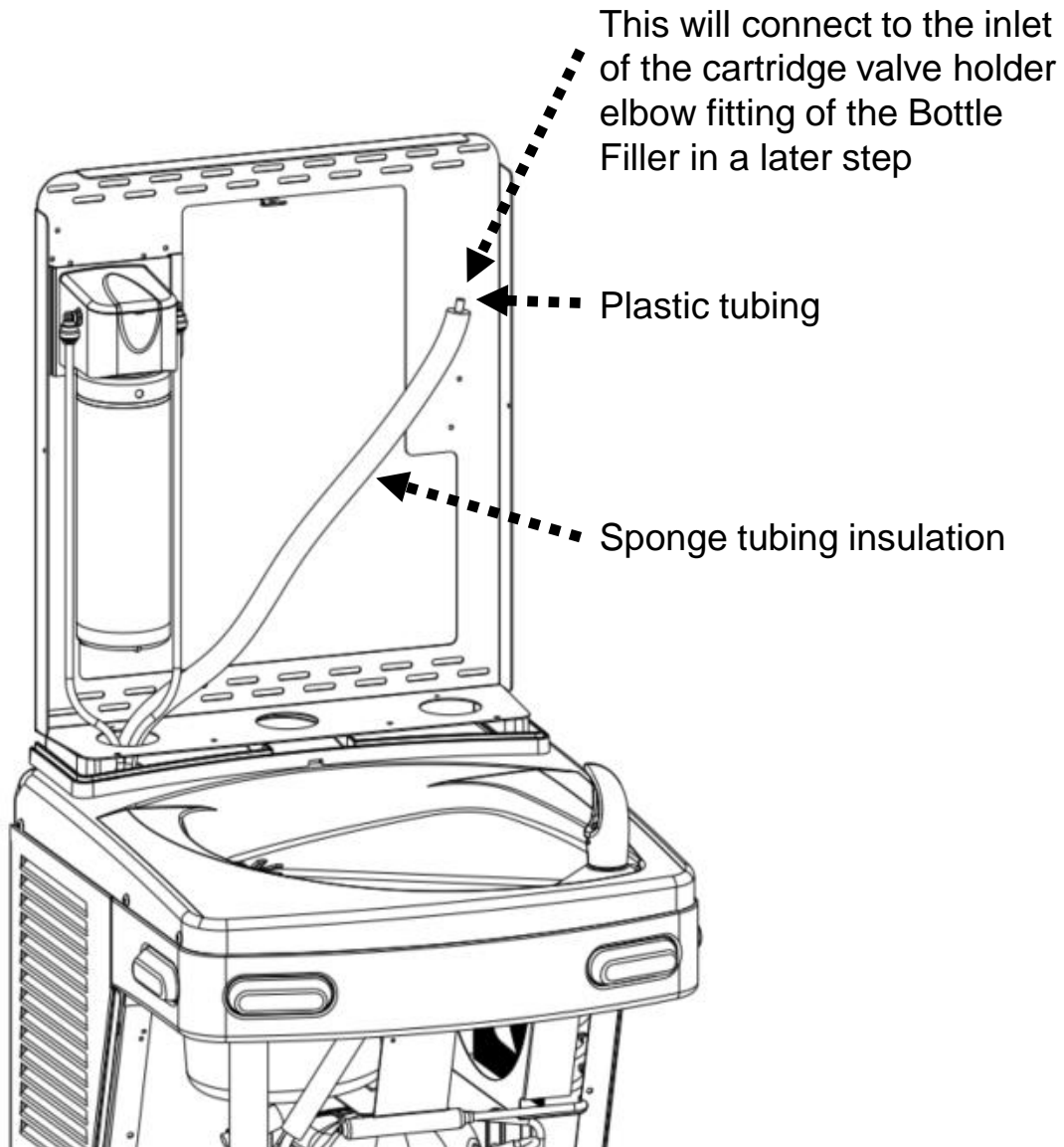
D: Installing and Flushing Filter Cartridge (PWFSBF only)

1. Insert filter cartridge, rotate $\frac{1}{4}$ turn until locked.
2. Route water supply plastic tube attached to filter head inlet (left side) through hole in frame and top. Connect to fountain water supply.
3. Route filter outlet tube that is attached to the filter head outlet (right side) to fountain drain in top. Flush filter cartridge before connecting to fountain cooling tank inlet fitting.
4. Turn ON the water supply and flush the filter for one-minute or until the water runs clear.
5. Connect the filter outlet tube to cooling tank inlet.



Section 3D: Installation

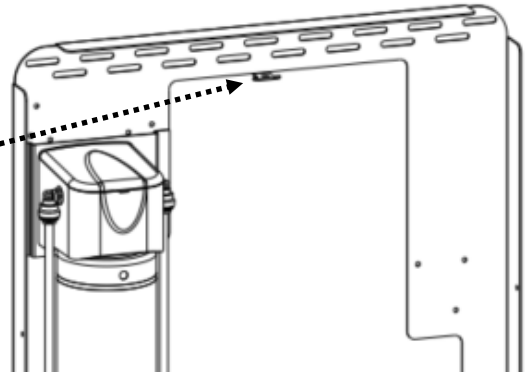
1. Slide sponge tubing insulation over water line. Connect the tubing to the INLET of the cartridge valve holder elbow fitting on the back of the VersaFiller assembly.



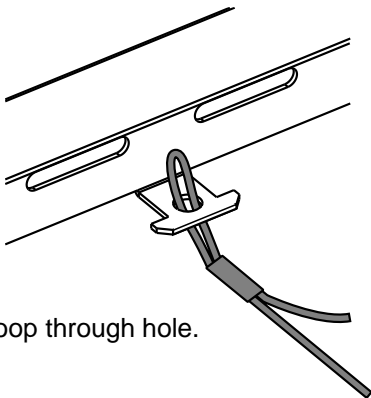
E: Attaching the Tether

2. Install bottle filler tether with the steps below.

Attach the tether line assembled to the bottle filler dispense bracket to the cleat on the mounting frame.

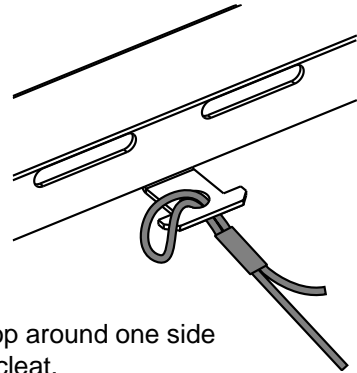


1.



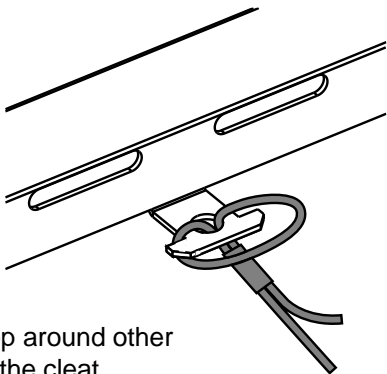
Push loop through hole.

2.



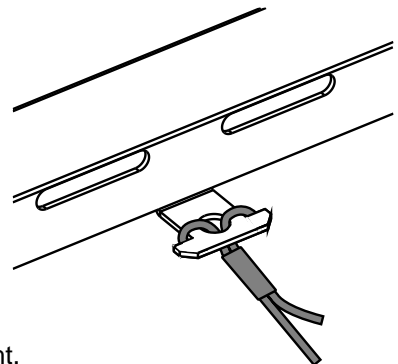
Put loop around one side of the cleat.

3.



Pull loop around other side of the cleat.

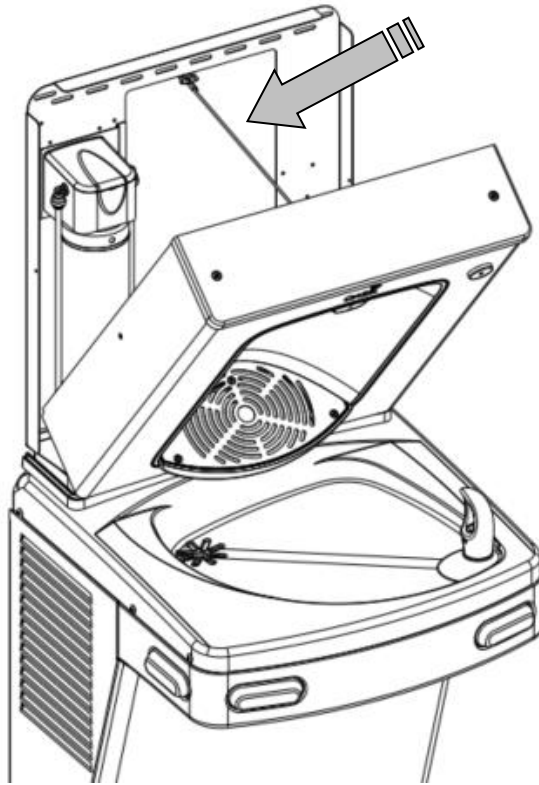
4.



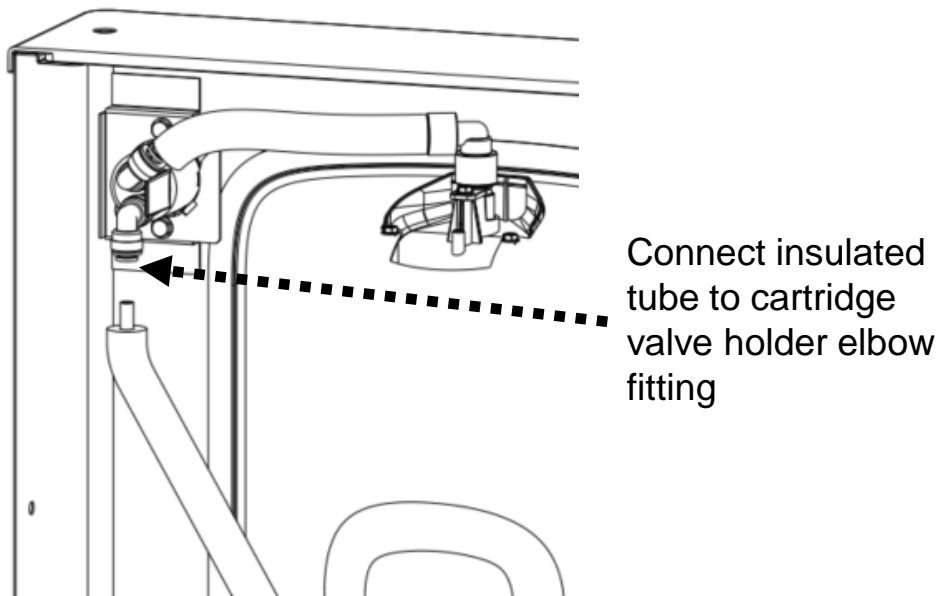
Pull tight.

Section 3E: Installation

3. The tether keeps the bottle filler secured to the frame when changing the filter. Make sure the tether is installed properly to avoid accidental damage to the unit.

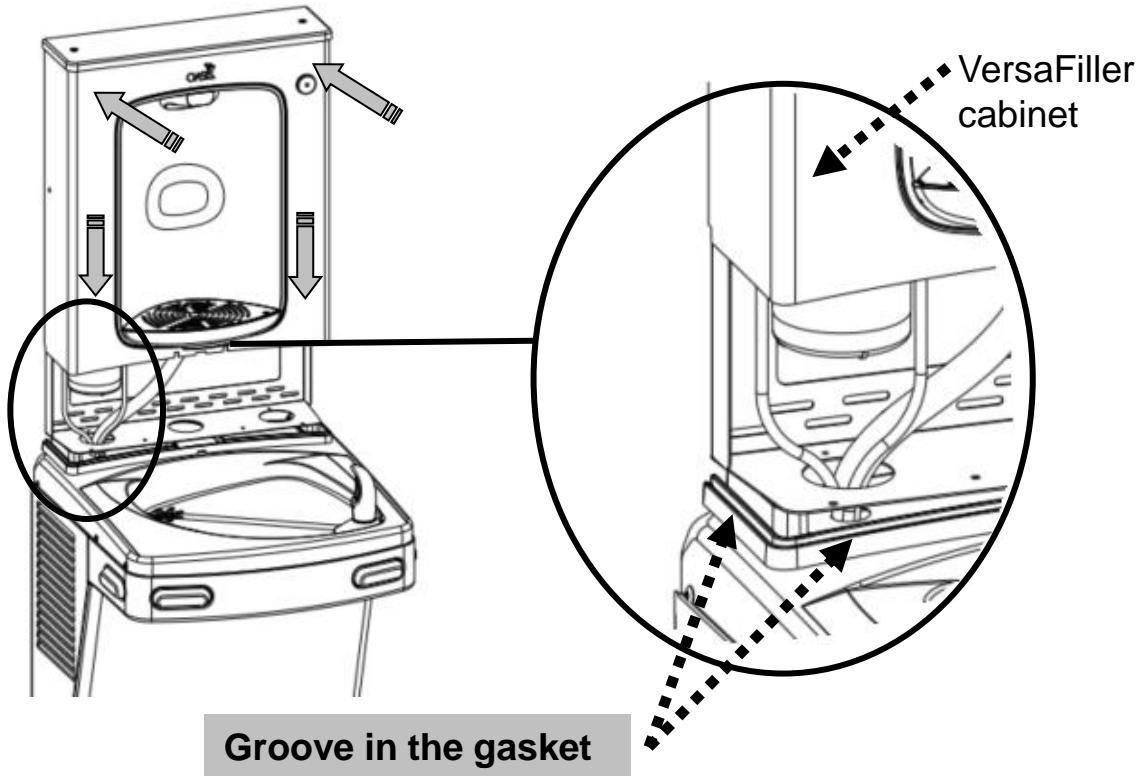


4. Connect the tubing to the INLET elbow on the back of the VersaFiller assembly.

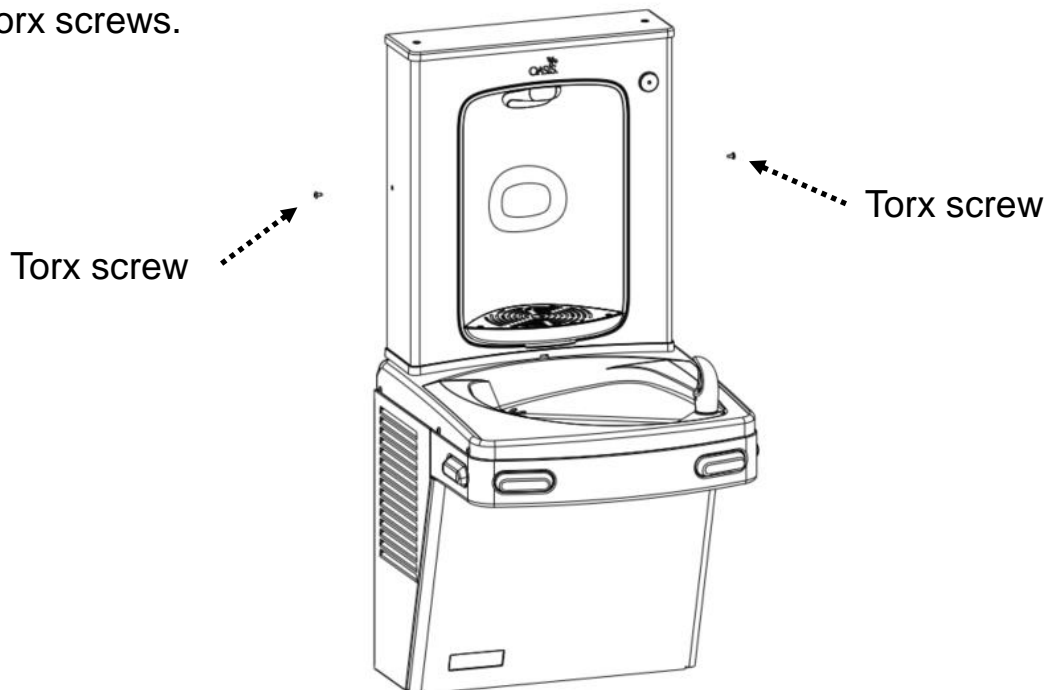


Section 3E: Installation

5. Set the VersaFiller cabinet into place. **MAKE SURE** the cabinet fits into the groove in the rubber gasket on both sides and front of the wrapper.



6. Attach VersaFiller assembly and top cap to the frame using the two (2) torx screws.



Section 3E: Installation

7. Turn ON water supply and check for leaks. Press the activation button and release any trapped air from the system. Plug in the power cord and replace the front panel IF it was removed earlier.



INSTALLATION COMPLETE

Addendum Section: Pressurizing Cooling Tank



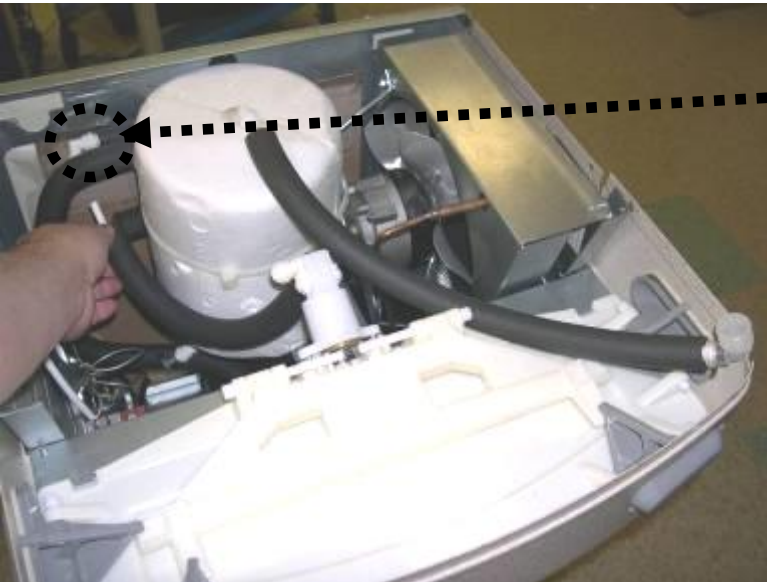
The water should already be turned OFF and the power disconnected.

Unit as it appears with top removed



STEP 1

Unplug un-insulated water line from water valve inlet (quick-connect elbow located left side of water valve facing the front of the cooler). Set tubing aside (careful to not contaminate water contact end).



STEP 2

Unplug tubing from quick-connect elbow leading to cooling tank inlet.



STEP 3

Plug un-insulated tubing that was removed in step 1 into quick-connect elbow leading to the cooling tank from step 2.



STEP 4

Unplug tubing that is connected to the water valve outlet (quick-connect elbow located on the right side of valve facing the cooler).



STEP 5

Connect tubing from step 4 to quick-connect elbow on the left side of the valve.



Step 6

Unplug quick-connect tubing from the cooling tank outlet. Do not set it down.



Step 7

Using tubing removed in step 6, plug into quick-connect elbow on the right side of the valve. (be sure to route the tubing under existing tubing installed in step 4 as shown)



Step 8

Using tubing that is connected to the quick-connect elbow left side of valve (done in step 4), and plug the other end into the quick-connect fitting at the top of the cooling tank.



Accessories:

Vandal resistant screw kit: P/N 036704-001, includes torx bits and replacement screws.

P/N 030099-682, Rev. A Date: 09/2023

© 2023 LVD Acquisition, LLC

Oasis, Aqua Pointe, Versacooler and VersaFiller are registered trademarks of LVD Acquisition, LLC dba Oasis International

Haws is a registered trademark of HAWS Corporation.

Elkay and Halsey Taylor are registered trademarks owned or licensed by Elkay Sales Inc. and/or its parent Elkay Manufacturing Company



OASIS INTERNATIONAL
222 East Campus View Blvd.
Columbus, OH 43235
614-861-1350
www.oasiscoolers.com