

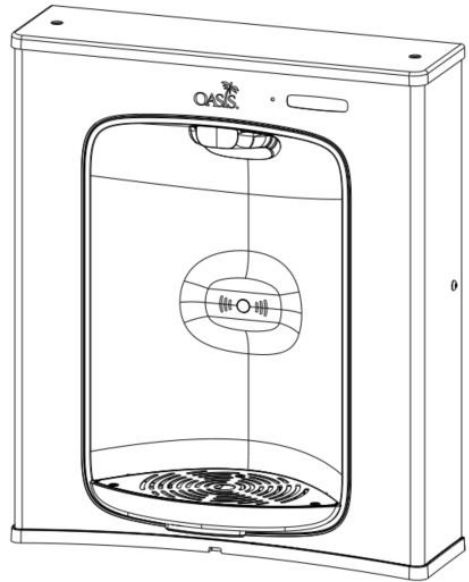


VERSAFILLER®

Drinking Fountain/VersaFiller Combo Installation Instructions

Models:

- **PWEBF**
- **PWFEBF with VersaFilter III**



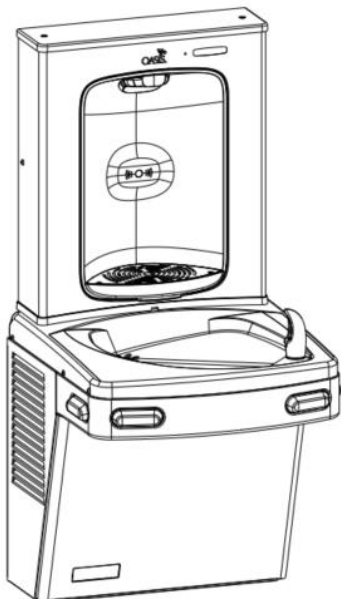
The Hands-Free VersaFiller is an extension of the Aqua Pointe® product line that mounts directly above Versacooler® I and II products.

If installed onto a refrigerated cooler, chilled water can be dispensed through the VersaFiller. Otherwise, room temperature water will be dispensed.

The VersaFiller is shipped partially assembled.

On the combo units, the cooler is plumbed and ready to attach to the VersaFiller.

When completed, the finished assembly will look like this:

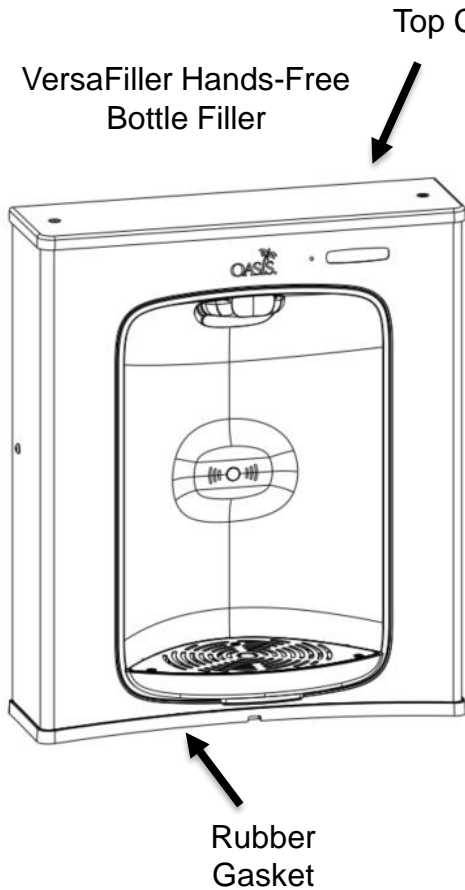


OR

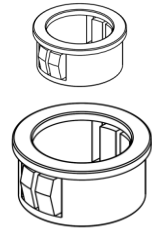


Section 1: Getting Started

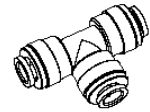
What's Included:



38" of 1/4" OD plastic tubing with 38" of sponge tubing insulation



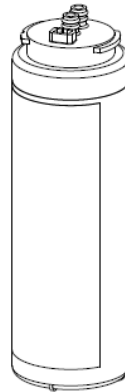
Snap bushings 7/8" and 1 1/2"



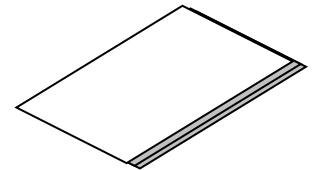
Quick connect tee fitting



Quick connect elbow fitting



VersaFilter III
(Model PWFEBF only)



Installation instructions

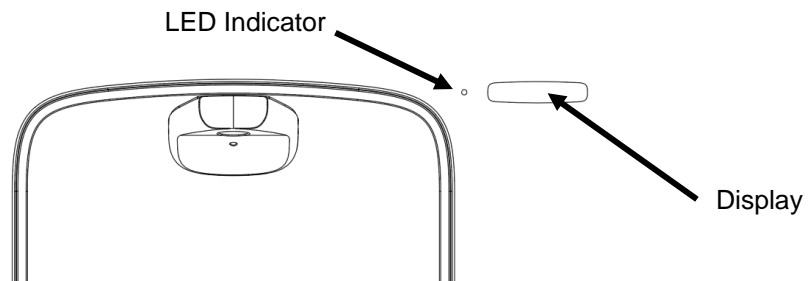
Tools required:

- 3/8" pilot drill and either a step drill bit up to 7/8" diameter that will drill through SS top or 7/8" diameter punch die (retrofit version only)
- Electric drill; wrench for punch die
- Small tubing cutter for copper tube
- 1/4" nut driver
- # 2 Phillips screwdriver
- #15 torx bit driver

Section 2A: IMPORTANT REQUIREMENT

CAUTION: ENSURE BOTTLE FILLER IS PROPERLY GROUNDED. IT IS REQUIRED TO ATTACH THE LONG GREEN GROUND WIRE TO THE FRAME ASSEMBLY. REFER TO THE STEPS DESCRIBED ON STEPS 3-5 ON PAGE 20.

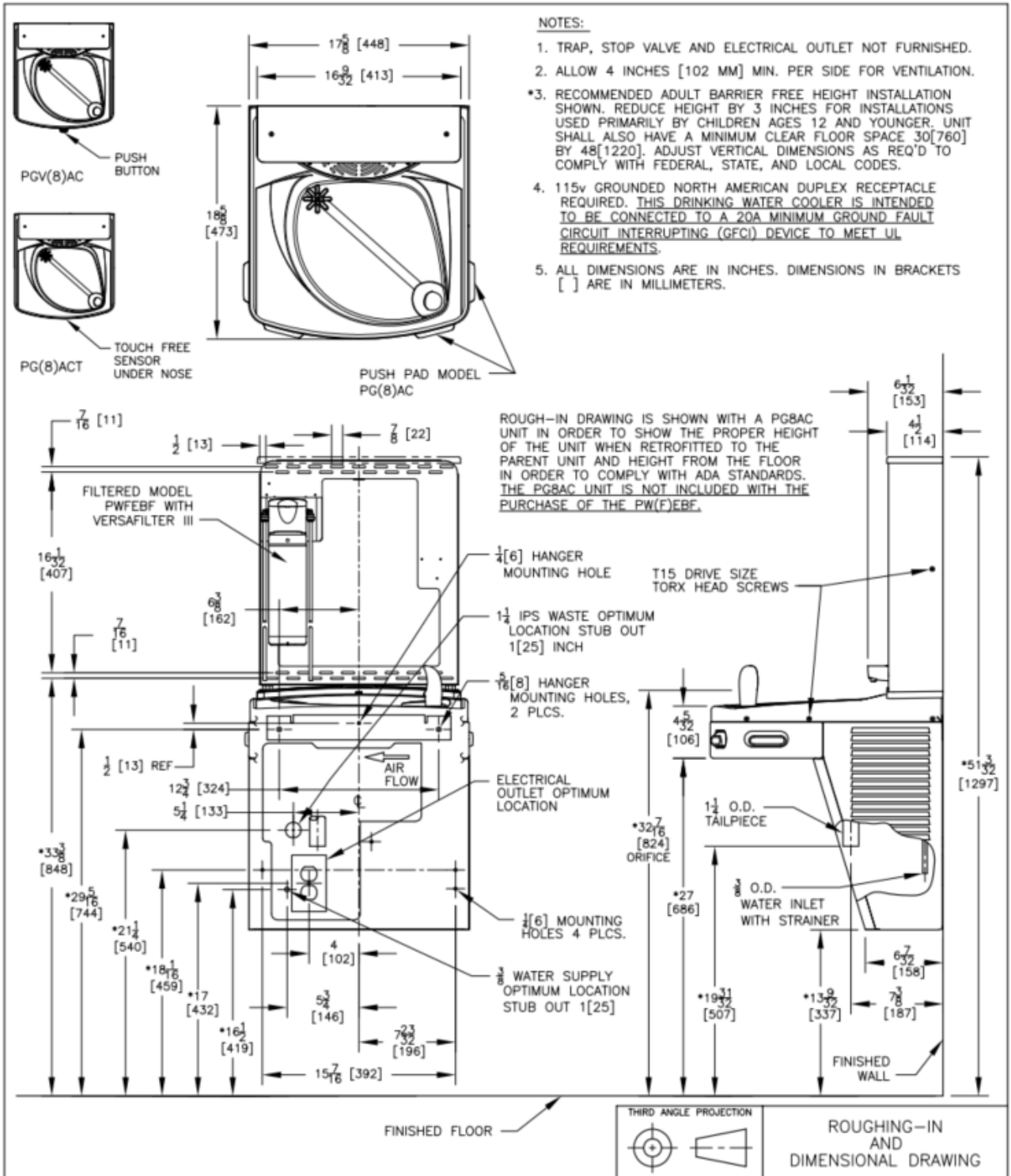
Section 2B: LED Indicator Key



LED Color	Display	Condition	Action
Green	"BOTTLES SAVED"	Standby mode – filter life <80% used.	No action needed.
Yellow	"BOTTLES SAVED"	Standby mode – filter life >80% used but <100%.	Order new filter.
Red	"BOTTLES SAVED"	Standby mode – filter life =100% used.	Replace the filter.

Section 3: Rough In Drawing

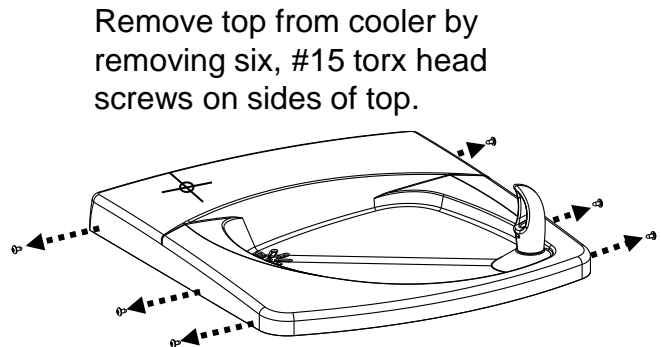
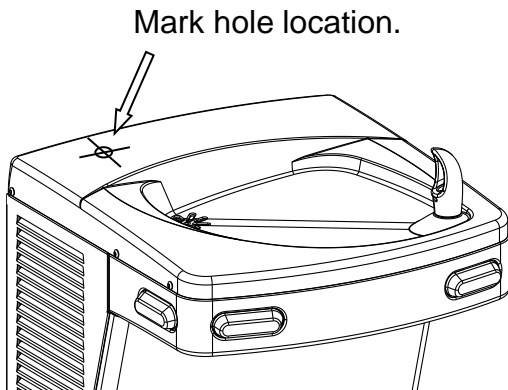
Oasis PWEBF & PWFEFB: Versacooler® II Models PGAC, PG8AC, PGVAC, PGV8AC, PRACT, PG8ACT with Hands-Free VersaFiller



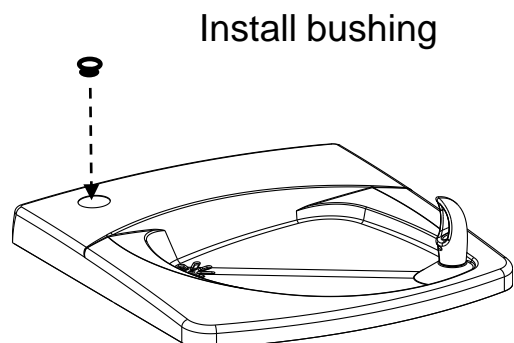
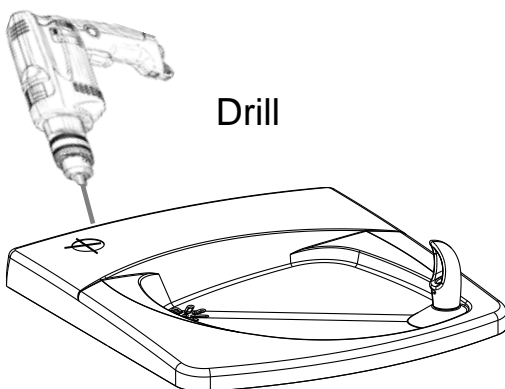
Note: Proceed to Sect 3B Step 5 “Final steps for both product families” if the cooler is purchased “VersaFiller ready”.

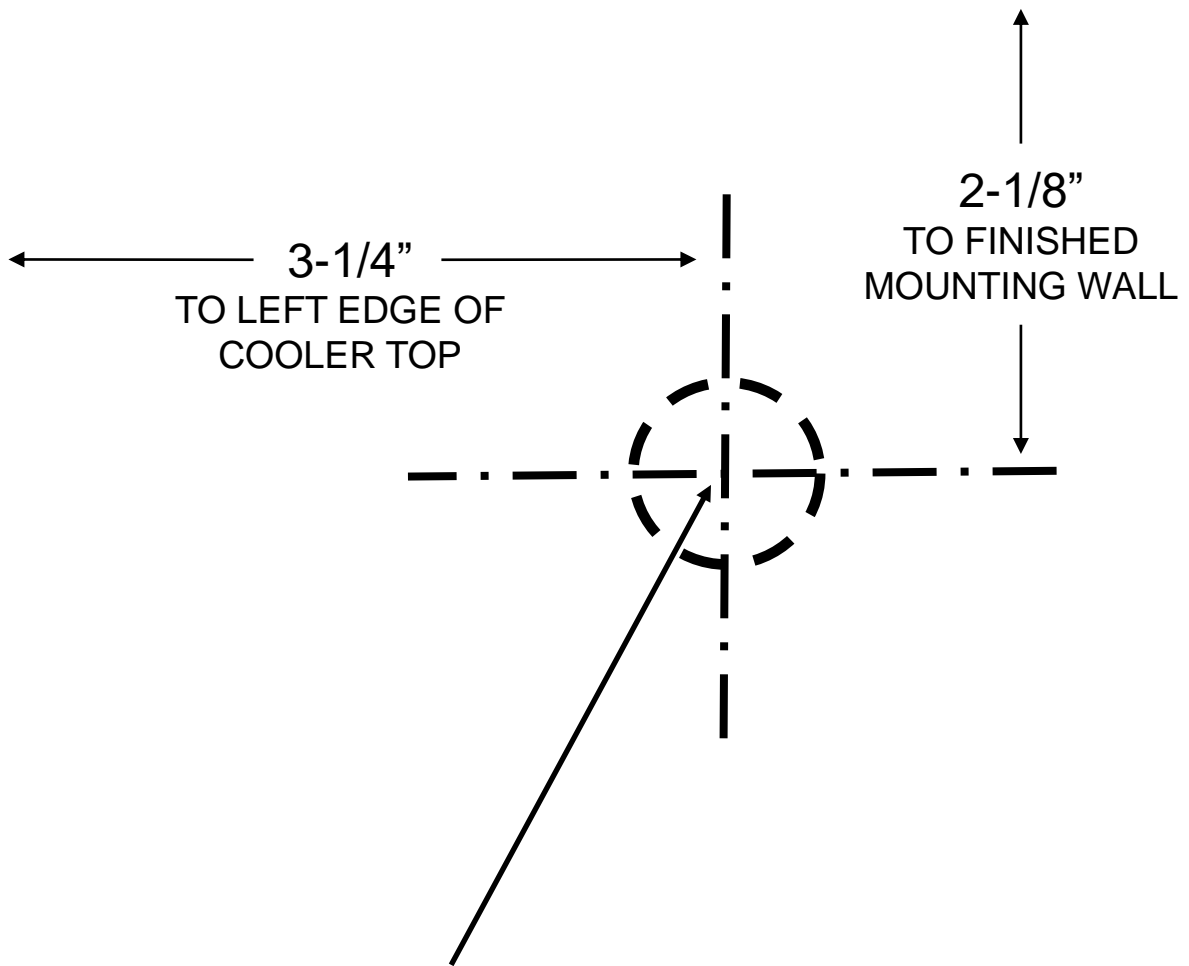
A: Drilling hole in the top for water line connection.

1. Disconnect power by UNPLUGGING unit. It might be necessary to remove the front panel to get access to the power.
2. Turn OFF water supply to the unit. It might be necessary to remove the front panel to access the water stop valve.
3. Mark hole location. See next page for dimensional location.
4. Remove top from unit.



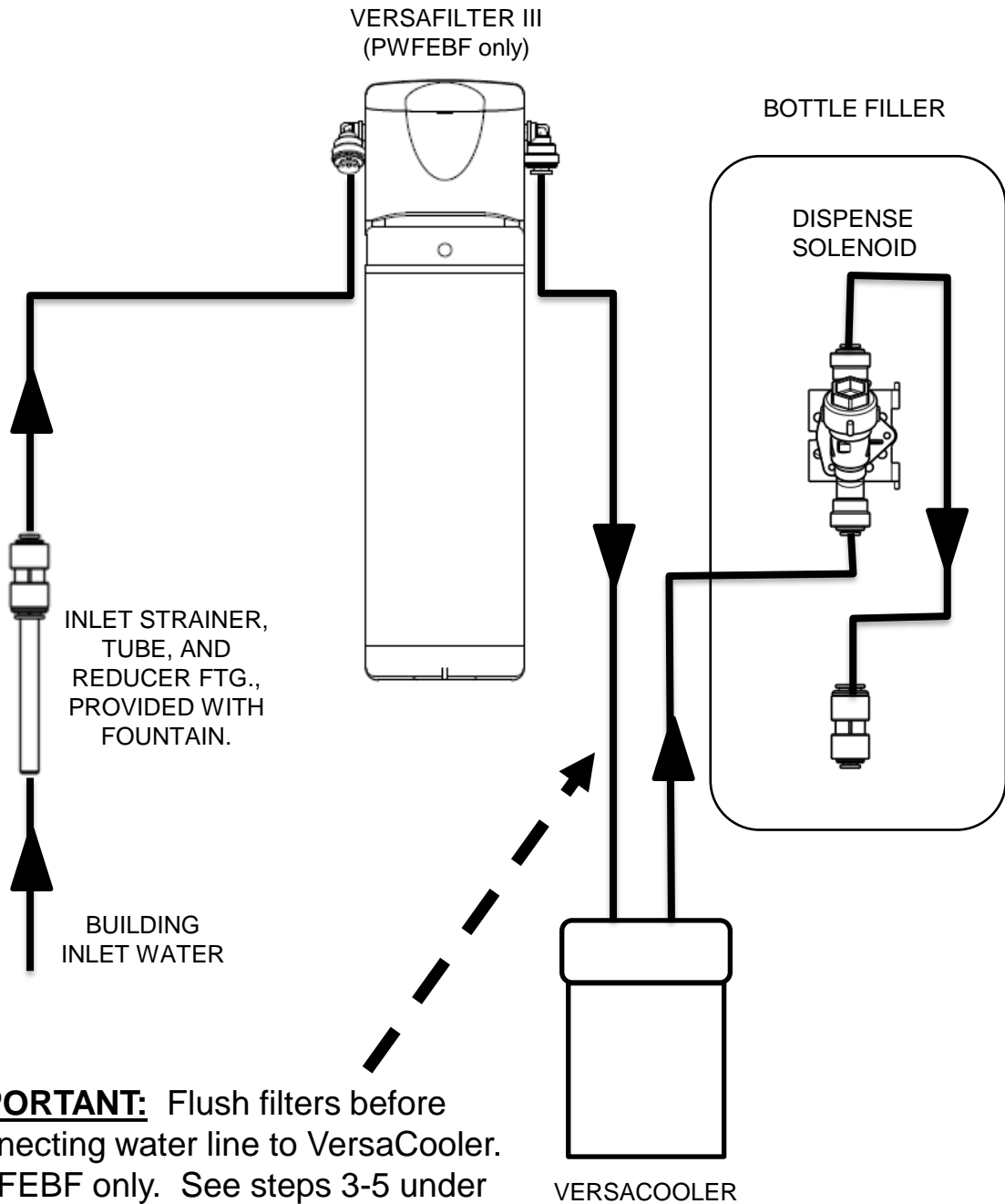
6. Using a step drill bit or 7/8" punch die, make a 7/8" hole through top. You may want to drill a pilot hole to get these started.
7. Install snap bushing into hole to protect tubing from being cut.





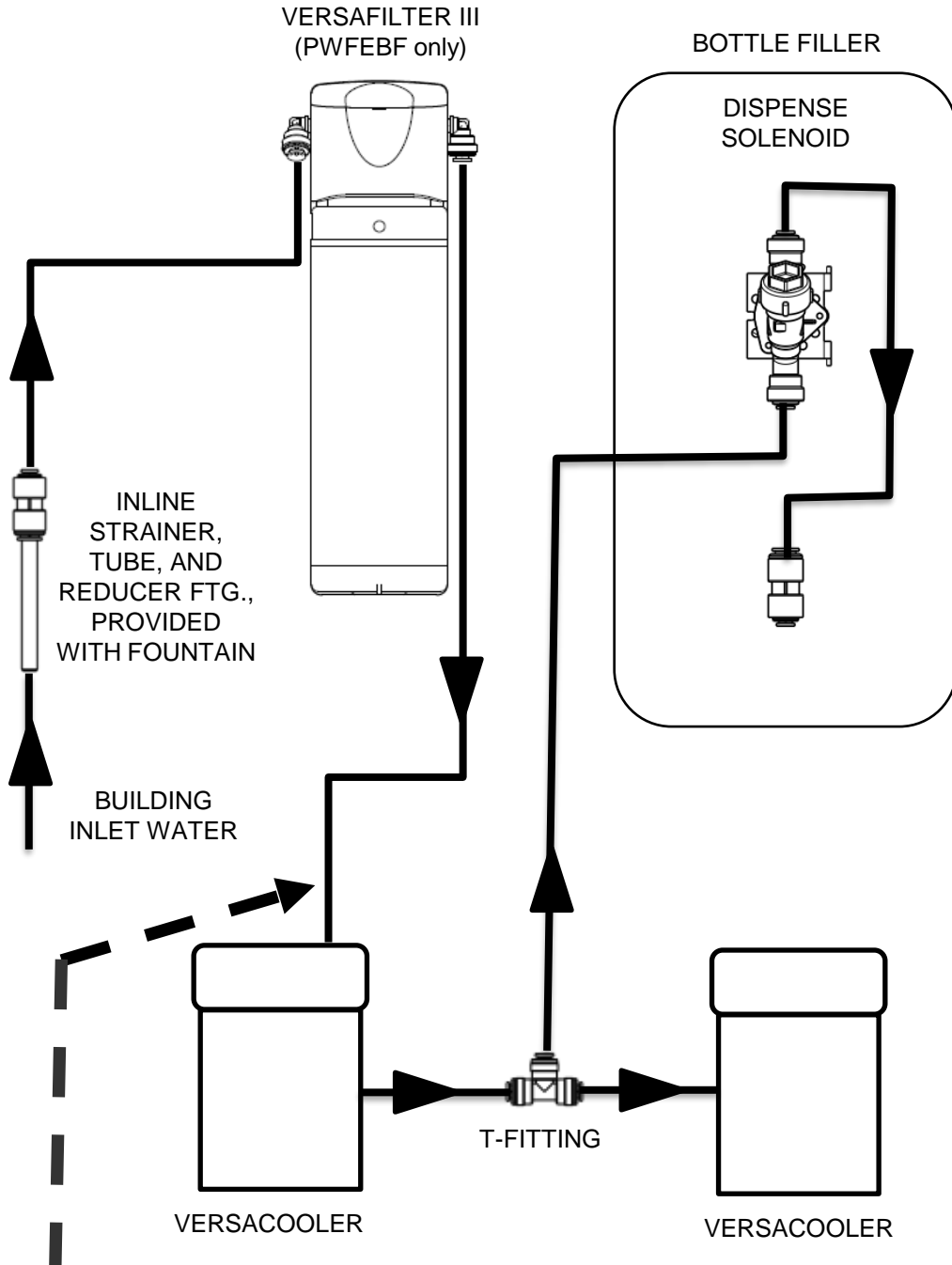
Mark this center point on the top. Remove the top from the cooler. Then create a 7/8" diameter hole through the top at the marked center point (step drill bit or punch die).

Versacooler to Bottle Filler Plumbing Diagram



IMPORTANT: Flush filters before connecting water line to VersaCooler. PWFEFB only. See steps 3-5 under Section 4D on page 17.

Two Versacoolers to Bottle Filler Plumbing Diagram



IMPORTANT: Flush filters before connecting water line to VersaCooler. PWFEBF only.
See steps 3-5 under Section 4D on page 17.

B: Connecting the water line

Note: If you are retrofitting the Versafiller to an existing cooler, follow the instructions starting on page 11.

For the single “Versafiller ready” cooler, the tube to connect to the Versafiller is found inside the access panel (the compressor compartment) or found inside the Bottle Filler. This tube supplies cold water from the cooling tank to the Versafiller.

1/4" OD tube to connect to Versafiller



For split level “Versafiller ready” coolers, the tube to plumb in the Versafiller is packaged in the dummy unit or found inside the Bottle Filler.

Remove tube from bag.



First, remove plug from fitting on tank drain



Next, insert end of tube into fitting.



The tee and tube to the Versafiller are packaged with the PWEBF unit. One branch of the tee will supply the valve on the dummy unit, the other branch of the tee will connect to the Versafiller.

If a filter is being installed, cut a piece of tubing about 3" long to insert (optional) flow switch right after filter and before tee. This allows Versafiller counter to accurately calculate amount of water passing through filter.

Tube to connect valve
on dummy unit



Tube to connect
Versafiller



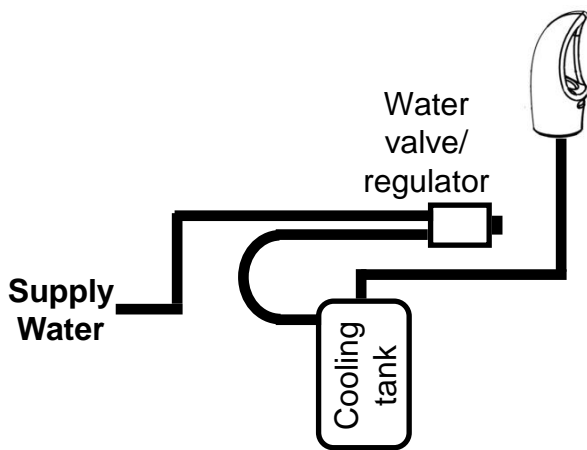
Tube to connect chilled
water to dummy unit
and Versafiller



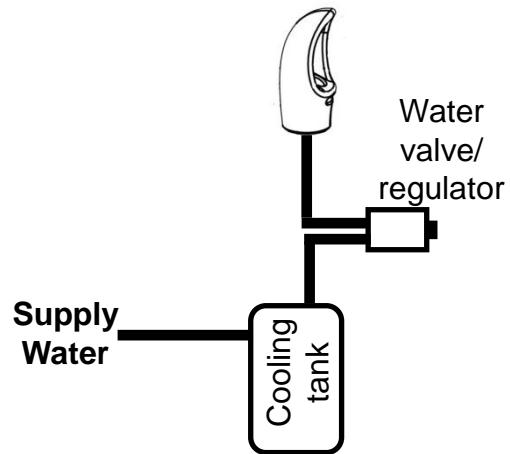
Go to Step 5 "Final steps for both product families:"

To retrofit the Versafiller to an existing unit, follow the instructions below:

If the cooling tank is non-pressurized, then go to the “Pressurizing the cooling tank” addendum section. Otherwise, proceed to step 1 below. Non-pressurized units are single units made since December of 2009. Refer to the schematic below to identify the system that you have.



NON-PRESSURIZED COOLING TANK



PRESSURIZED COOLING TANK

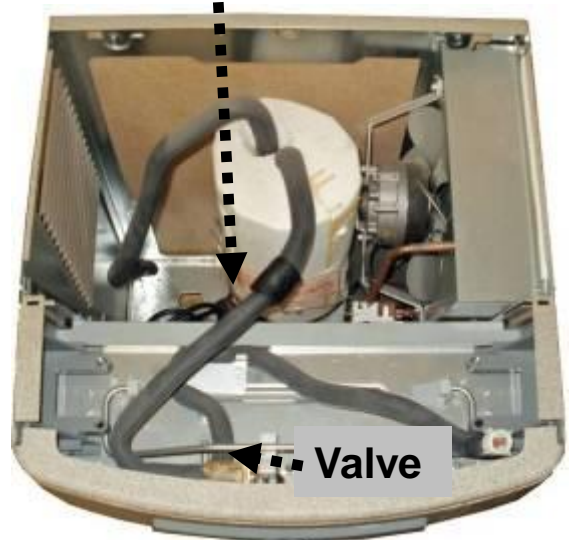
1. With the cooler top removed, find the tube going from the cooling tank outlet to the valve. The TEE fitting (supplied) will need to connect between the cooling tank and valve.

Outlet Tube (insulated plastic)



P8AC family

Outlet Tube (insulated copper)



P8AM family

Section 4B: Installation: For the P8AC Version: Versacooler II

2. Disconnect tubing from the elbow on the valve.



3. Using the 38" piece of tubing provided, cut 6" and install it on the end of the TEE. Install the remaining tubing onto the branch of the TEE. Connect the other end of the TEE to the tank outlet tubing (tube that was disconnected from the elbow).



32" tubing

6" tubing

TEE

4. Route the TEE and tubing under the waste drain and connect the 6" length to the water valve elbow.



Water
valve
elbow

Go to Step 5 "Final steps for both product families:"

Section 4B: Installation: For the P8AM Version: Versacooler I

2. Remove tar tape from the insulation on the outlet tube.



3. Pull back insulation and cut the copper tube with a tubing cutter. Cut where there is at least 1 inch of *straight* tubing on each side of the cut.



4. Install TEE fitting by connecting the copper tubing to each end. Then install the 32" piece of plastic tubing to the TEE branch.



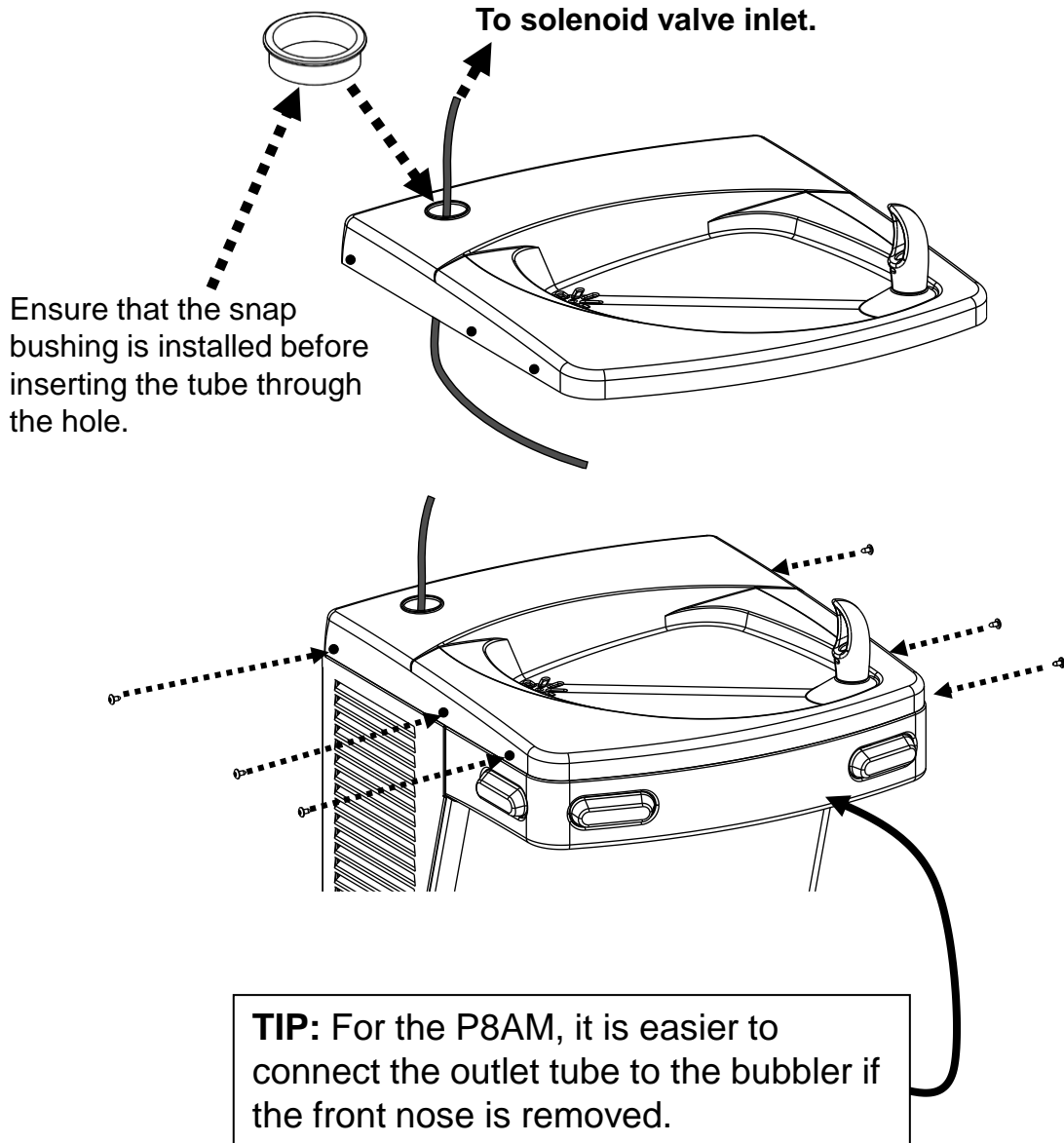
32" plastic tubing (supplied)

Section 4B: Installation: **Final steps for both product families:**

5. Feed black and blue tubing up through bushing in top.

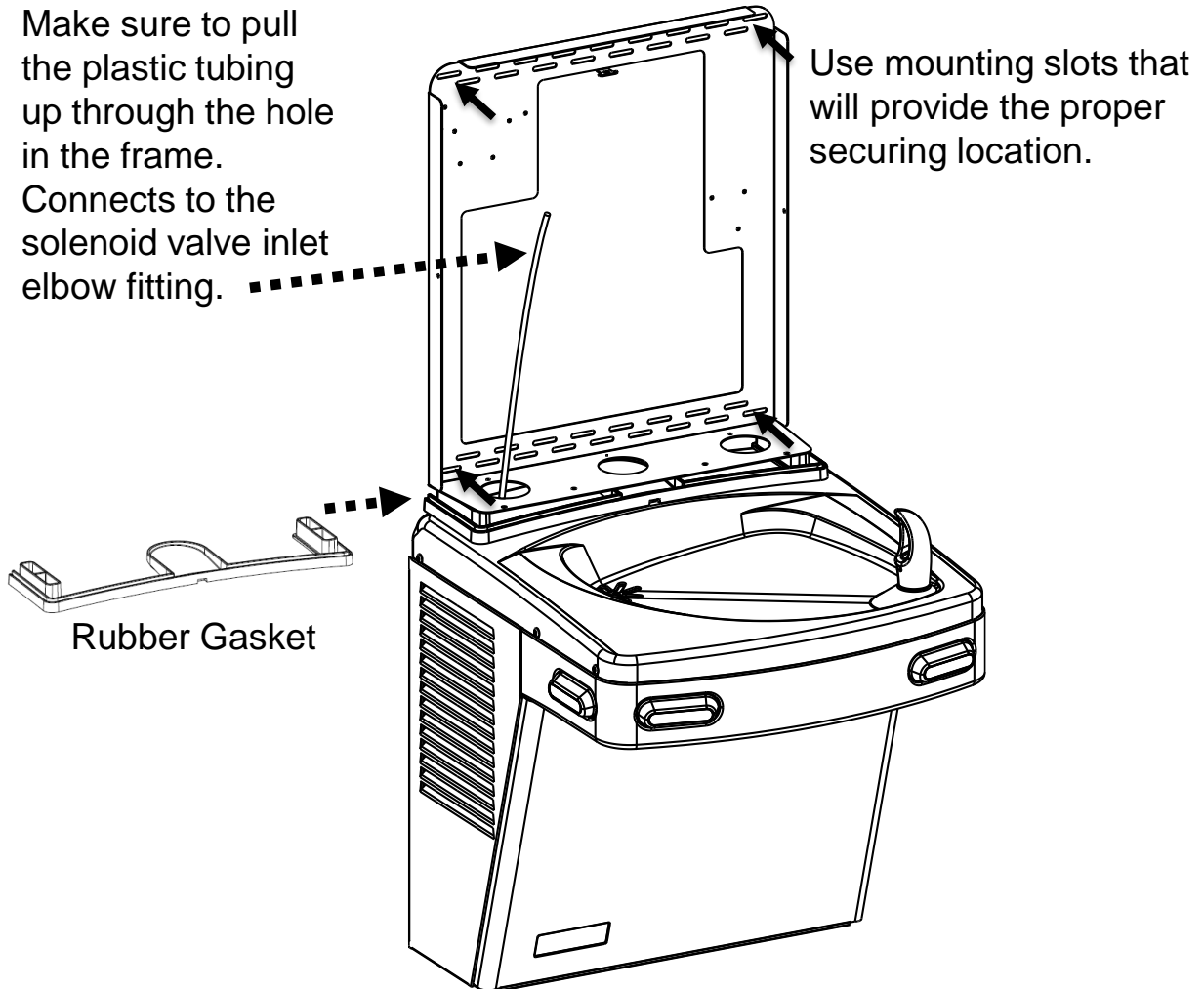
- For single unit, also feed white tube attached to tee through bushing.
- For split level, connect tee and white tube packed with bottle filler per schematic below.

Attach top to cooler. If flow switch was installed, cord from flow switch must also pass through this bushing.



C: Mounting the frame to the wall

1. Place rubber gasket on top of the cooler so it is centered left/right and against the wall.
2. Set the wall frame onto the gasket. Center it left/right and push it against the wall and mark hole locations for wall fasteners. The gasket will set the frame at the proper height.



3. Secure frame to the wall with fasteners (not provided). Pull plastic tubing up through the hole in the frame.

D: Installing and Flushing Filter Cartridge (PWFEFBF only)

1. Insert filter cartridge, rotate $\frac{1}{4}$ turn until locked.
2. Route water supply plastic tube attached to filter head inlet (left side) through hole in frame and top. Connect to fountain water supply.
3. Route filter outlet tube attached filter head outlet (right side) to fountain drain in top. Flush filter cartridge before connecting to fountain cooling tank inlet fitting.
4. Turn ON the water supply and flush the filter for one-minute or until the water runs clear.
5. Connect the filter outlet tube to cooling tank inlet.

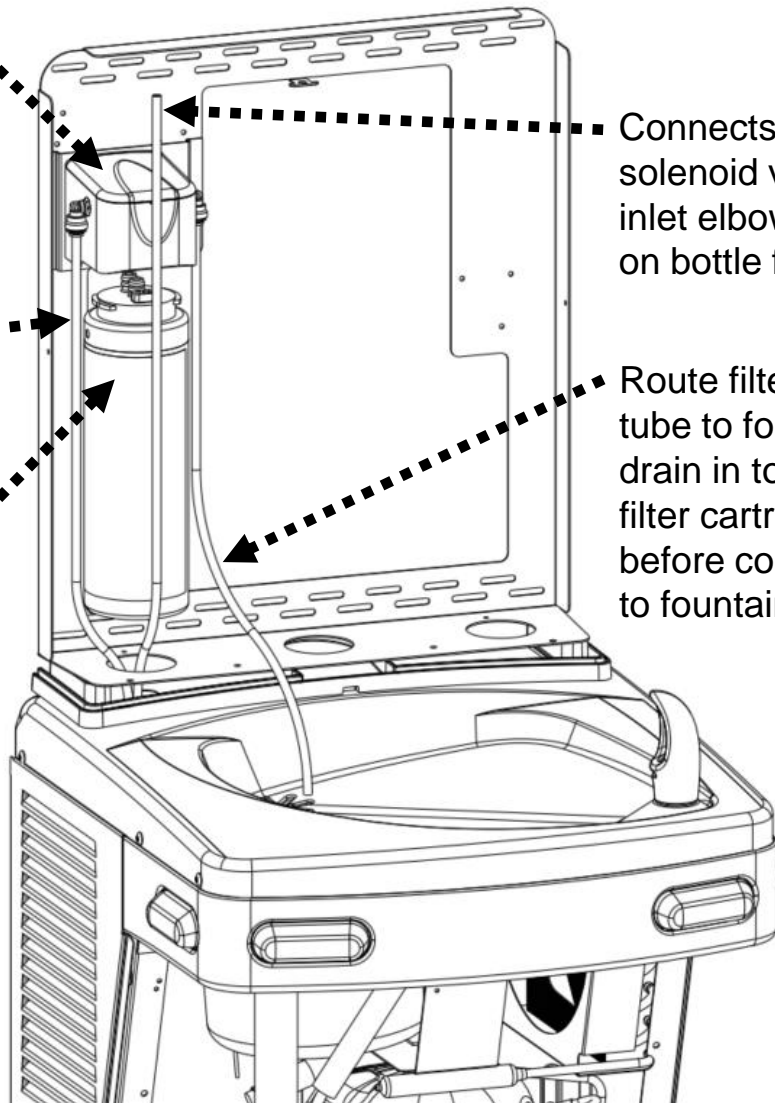
VersaFilter III
Head Assembly

Route water supply
plastic tube through
hole in frame and
hole in top. Connect
to fountain water
supply.

VersaFilter III
Filter Cartridge

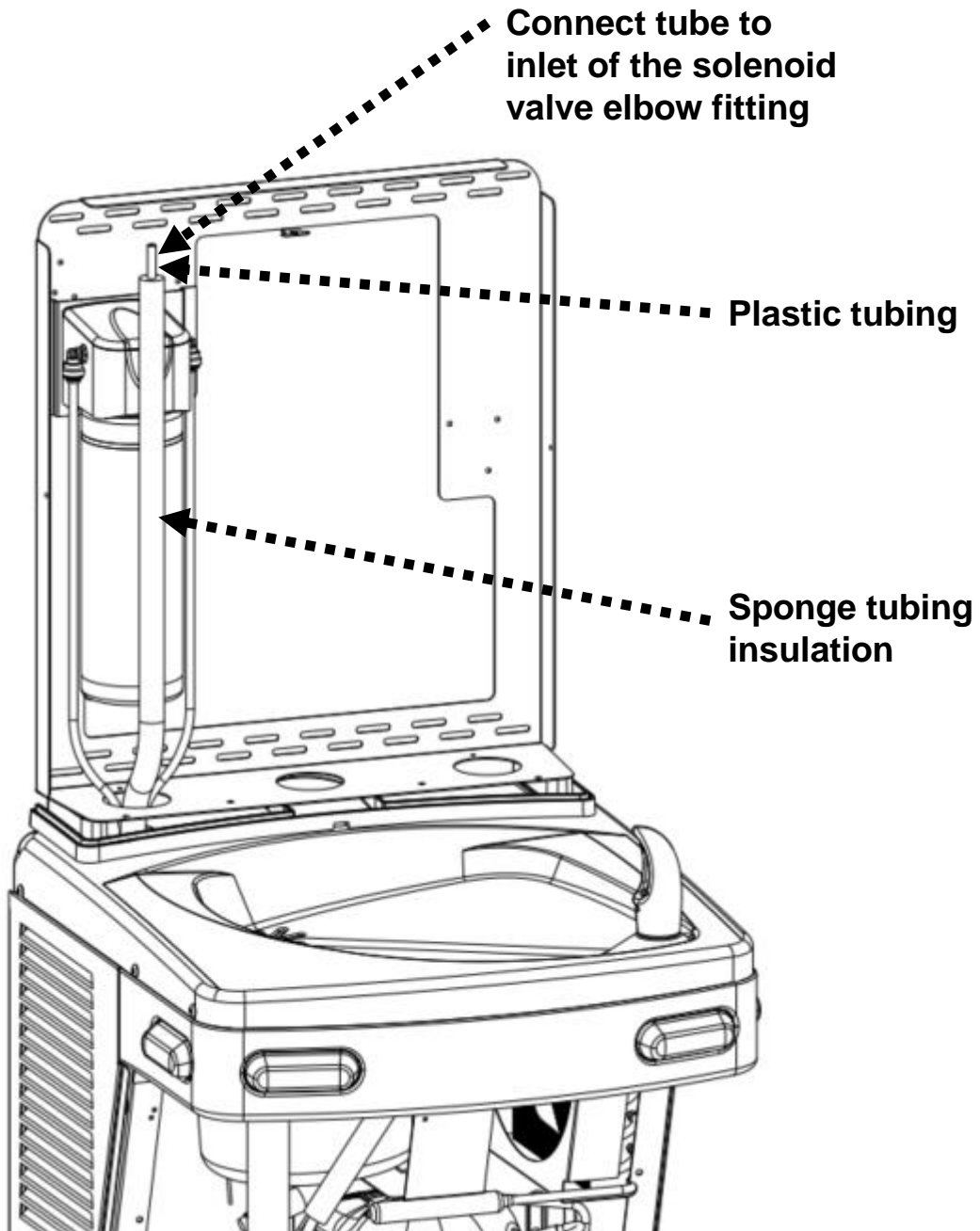
Connects to the
solenoid valve
inlet elbow fitting
on bottle filler.

Route filter outlet
tube to fountain
drain in top. Flush
filter cartridge
before connecting
to fountain inlet.



Section 4E: Installation

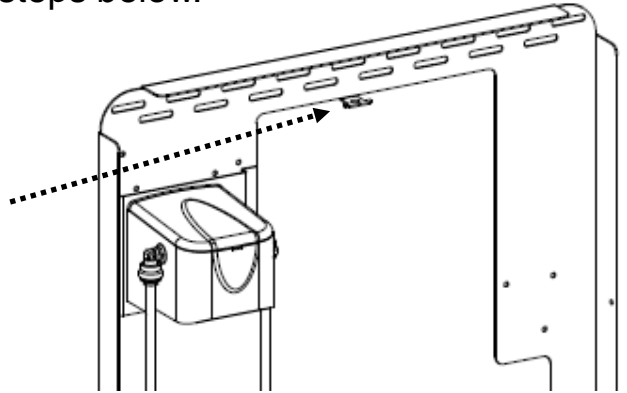
1. Slide sponge tubing insulation over water line. Connect the tubing to the INLET of the solenoid valve elbow fitting on the back of the Hands-free VersaFiller assembly.



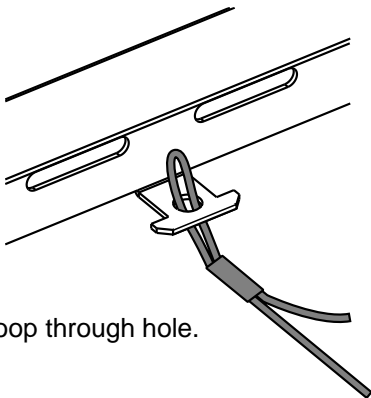
E: Attaching the Tether

2. Install bottle filler tether with the steps below.

Attach the tether line assembled to the bottle filler dispense bracket to the cleat on the mounting frame.

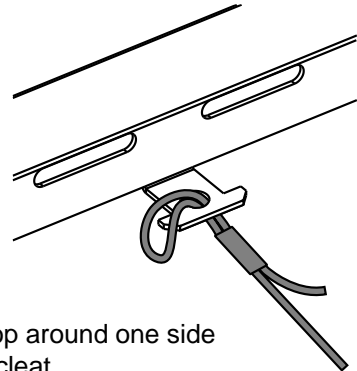


1.



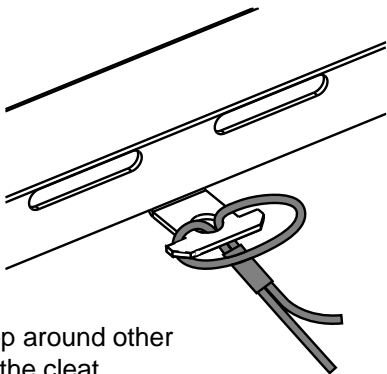
Push loop through hole.

2.



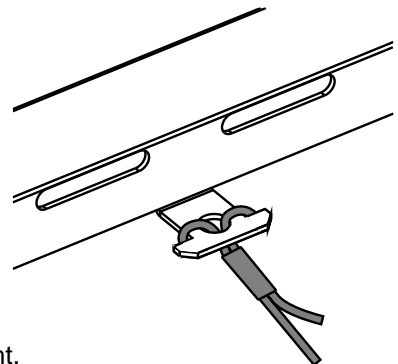
Put loop around one side of the cleat.

3.



Pull loop around other side of the cleat.

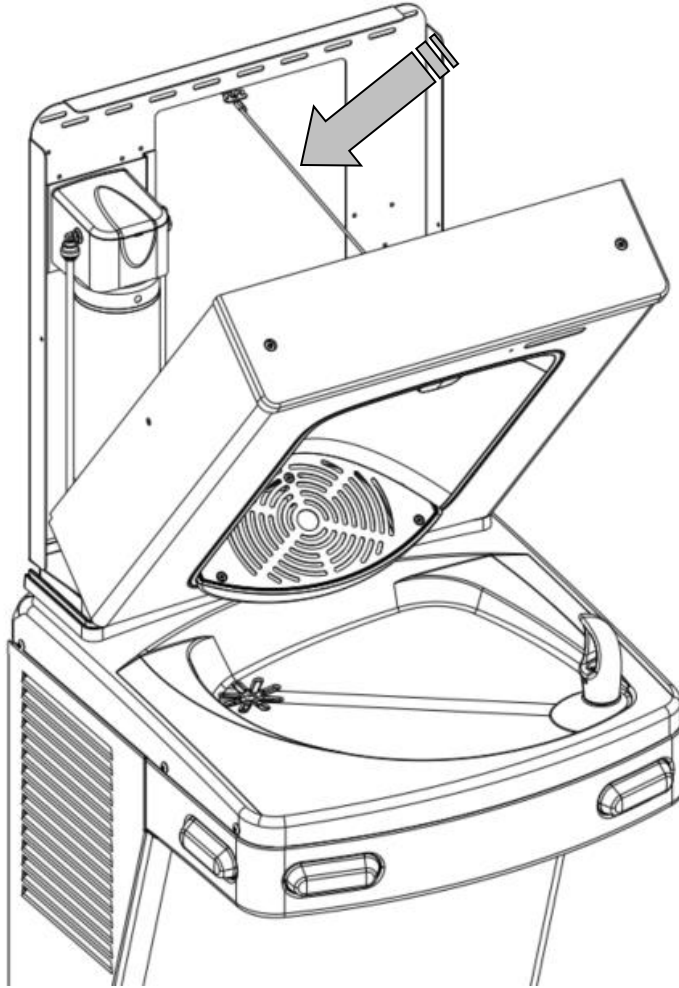
4.



Pull tight.

Section 4E: Installation

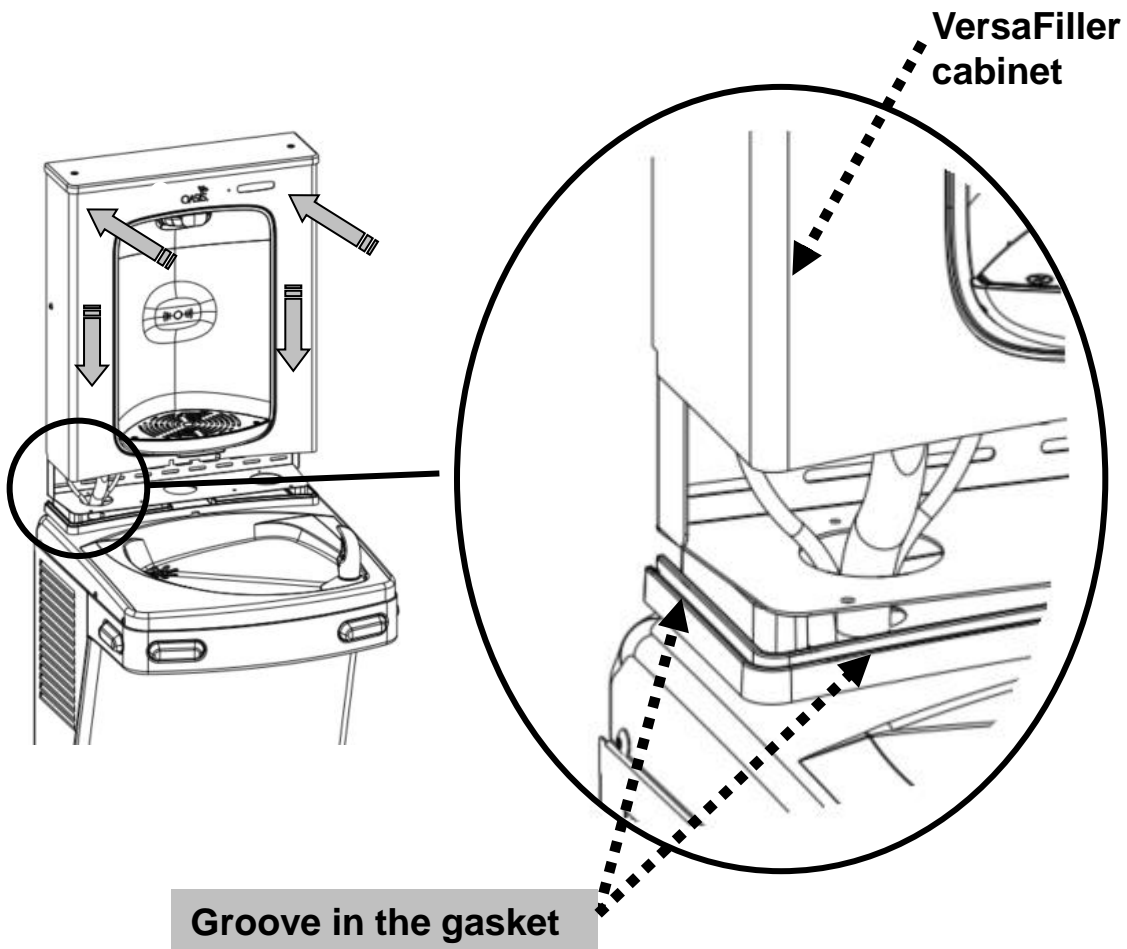
The tether keeps the bottle filler secured to the frame when changing the filter. Make sure the tether is installed properly to avoid accidental damage to the unit.



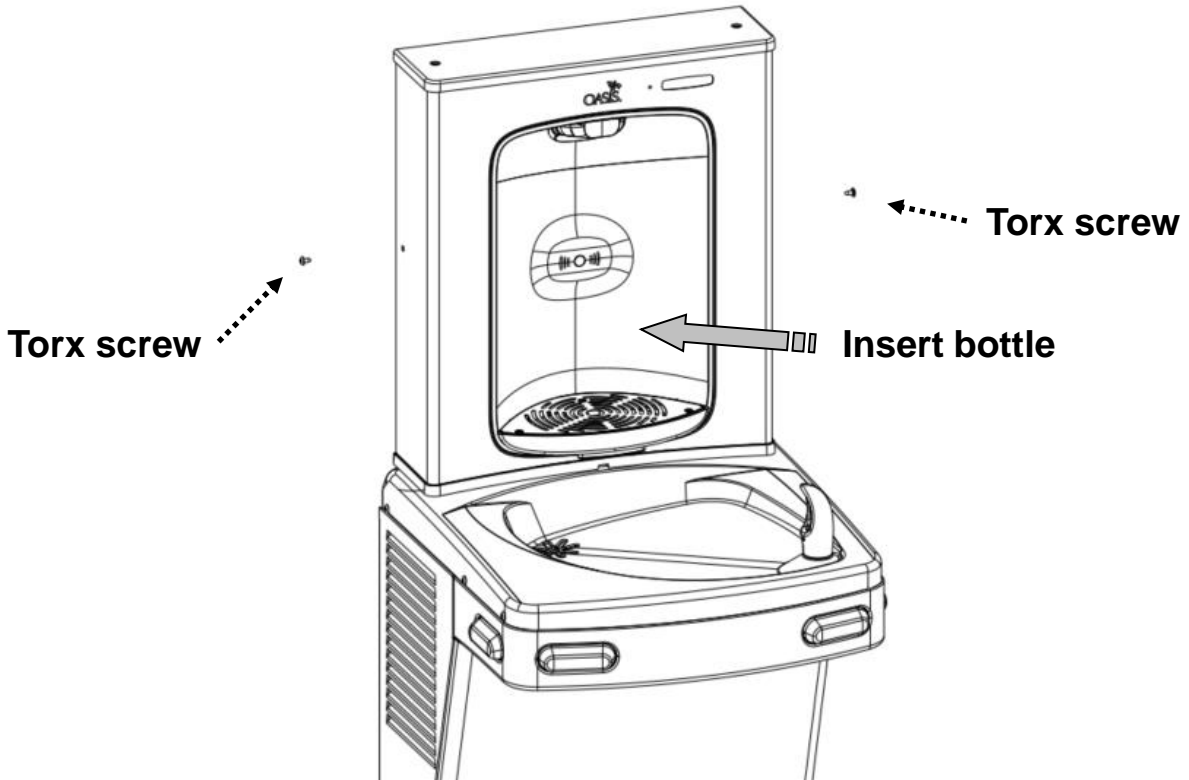
3. Before the Bottle Filler cabinet is set into place, feed the terminals on the power supply power cord and the long green ground wire through the bushing on the cooler top.
4. Connect male terminals on the bottle filler power supply to female terminals on power cord. Make sure that the power cord is firmly connected to the power supply.
5. Attach the long green ground wire to cooler power cord ground located on cooler frame or to electrical box ground.

Section 4E: Installation

6. MAKE SURE the cabinet fits into the groove in the rubber gasket on both sides and front of the wrapper.



See next page to secure Bottle Filler assembly to frame with torx screws.



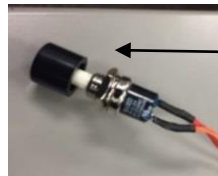
7. Attach Bottle Filler assembly to the frame using two (2) torx screws. If you are going to change the electronics default settings, remove the Top Cap and two (2) torx screws.
8. Plug bottle filler cord into the electrical outlet. The program should be set up specific for that installation. See the program guide on next page. Access programing Pushbutton through top of Bottle Filler.
9. Turn ON water supply and check for leaks. Place a container in the alcove to release any trapped air from the system. Plug in the power cord and replace the front panel.
10. If everything works correctly, place the Top Cap back on the Bottle Filler and the two (2) torx screws to fasten it in place. Otherwise, calibrate the sensor per the instructions on the next page.

INSTALLATION COMPLETE

Section 5: Set-up guide for bottle filler electronics

Factory default program settings are:

- a. Units - Gallons
- b. Unfiltered unit
- c. Flow Rate = 1.0 GPMD
- d. Filter Capacity = 4750 gallons [18000 liters] for VersaFilter III
- e. Bottle Count = 0.5L (1 Bottle)
- f. 20 second maximum dispense time

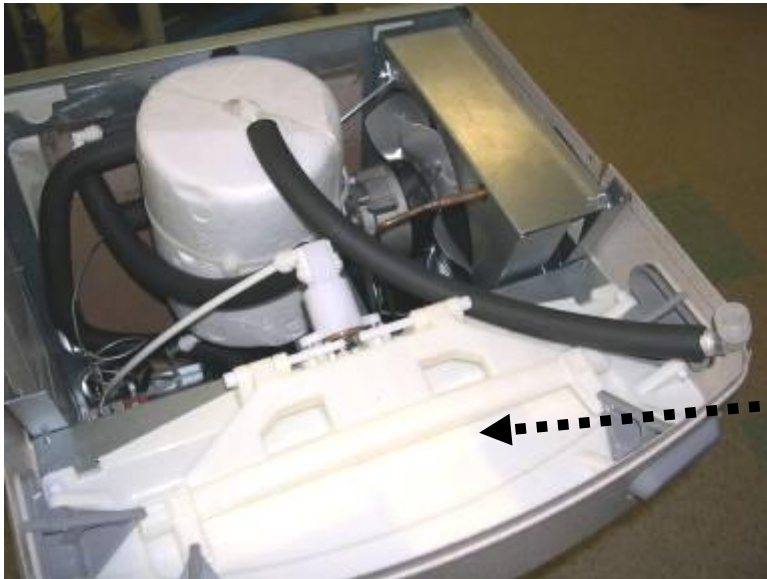


Pushbutton

To change the program settings, follow these steps:

<i><u>Display</u></i>	<i><u>Action</u></i>
00000000 BOTTLES REUSED (Home Screen)	Depress button for 3 seconds to enter into the following menu settings and make changes. Note: at anytime it will exit menu and save settings when idle for 10 seconds (no button press) and revert back to Home Screen.
LTR/GAL GAL[LTR]	Depress button 3 seconds to change from Gallons to Liters, or momentary press to advance to next menu.
UNFILT/FILT? UNFILTERED UNIT [FILTERED UNIT]	Depress button 3 seconds to change from Unfiltered to Filtered unit, or momentary press to advance to next menu.
SELECT RATE 1.0 GPMD UNIT [3.8 LPM UNIT]	To change flow rate, momentarily depress button to change whole gallon digit. Hold button 3 seconds to advance to TENTHS of gallon digit. Depress momentarily to change the digit. Hold button 3 seconds to advance to the next menu.
RESET 00000000 GALLON COUNT? [LTR COUNT?]	Depress button for 3 seconds to reset water usage count, or momentary press to advance to next menu.
FILT CAPAC OF 4750 GAL [18000 LTR]	Depress button for 3 seconds to change filter capacity to 1250 GAL [5000 LTR] for VersaFilter I. Depress button for 3 seconds to change filter capacity to 3000 GAL [11000 LTR] for VersaFilter II. Depress button for 3 seconds to change filter capacity to 4750 GAL [18000 LTR] for VersaFilter III. or momentary press to advance to next menu.
3 sec rule ? 3 sec [0.5L]	Depress button for 3 seconds to switch from 3 sec rule to 0.5L bottle, or momentary press to advance to next menu. (The 3 Sec rule increases the bottle count based on a 3 second dispense.)
RESET 00000000 BOT COUNT?	Depress button for 3 seconds to reset BOTTLES REUSED count to zero (Home Screen), or momentary press to advance to next menu.
Bot Filler Set time: 20 s	Depress button for 3 seconds to change maximum dispense time to 10, 20 or 30 seconds, or momentary press to advance to next menu.

Addendum Section: Pressurizing Cooling Tank



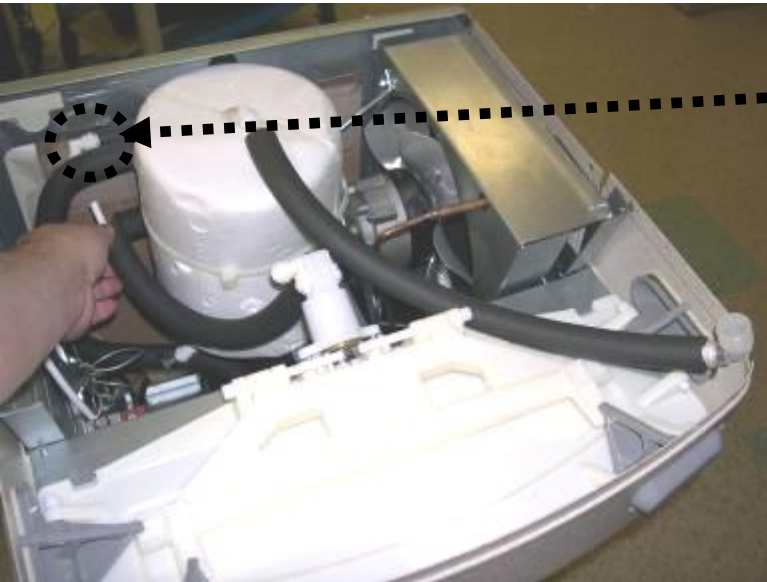
The water should already be turned OFF and the power disconnected.

Unit as it appears with top removed



STEP 1

Unplug un-insulated water line from water valve inlet (quick-connect elbow located left side of water valve facing the front of the cooler). Set tubing aside (careful to not contaminate water contact end).



STEP 2

Unplug tubing from quick-connect elbow leading to cooling tank inlet.



STEP 3

Plug un-insulated tubing that was removed in step 1 into quick-connect elbow leading to the cooling tank from step 2.



STEP 4

Unplug tubing that is connected to the water valve outlet (quick-connect elbow located on the right side of valve facing the cooler).



STEP 5

Connect tubing from step 4 to quick-connect elbow on the left side of the valve.



Step 6

Unplug quick-connect tubing from the cooling tank outlet. Do not set it down.



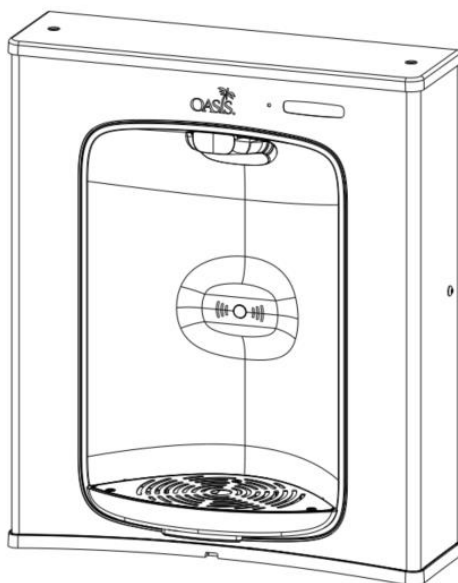
Step 7

Using tubing removed in step 6, plug into quick-connect elbow on the right side of the valve. (be sure to route the tubing under existing tubing installed in step 4 as shown)



Step 8

Using tubing that is connected to the quick-connect elbow left side of valve (done in step 4), and plug the other end into the quick-connect fitting at the top of the cooling tank.



P/N 030099-680, Rev. C, Date: 08/2023

© 2023 LVD Acquisition, LLC

Oasis, Aqua Pointe, Versacooler and VersaFiller are registered trademarks of LVD Acquisition, LLC dba Oasis International

Haws is a registered trademark of HAWS Corporation.

Elkay and Halsey Taylor are registered trademarks owned or licensed by Elkay Sales Inc. and/or its parent Elkay Manufacturing Company



OASIS INTERNATIONAL
222 East Campus View Blvd.
Columbus, OH 43235
614-861-1350
www.oasiscoolers.com