



## OASIS® VERSACOOLER® II MODELS

PG8ACSL, PG8ACSLTM, PG8ACSLTT, PGV8ACSL, PGF8ACSL, PGF8ACSLTM, PGF8ACSLTT, PGVF8ACSL  
SUNROC MODELS ADA8ACB, ADAV8ACB, ADAACB, ADAF8ACB, ADAVF8AC, ADAFACB

### INSTRUCTIONS

#### A. INSPECTION

Inspect the water cooler, water fountain and cartons for evidence of rough handling and concealed damage. Damage claims should be filed with the carrier.

#### B. TO PUT WATER COOLER AND FOUNTAIN INTO SERVICE

1. **NOTE:** The following states require a licensed plumber to install cooler; AG, GA, MA, MI, OK, RI, SC, SD, TX, VT and WI.  
CA, KS, MN, NM and OR allow for a state-registered installer or contractor as well. State and local plumbing codes may prohibit use of saddle tapping valves for water line connection in some applications. All connections must conform to applicable plumbing codes.
2. The PG8ACSL is composed of a water cooler and a water fountain. The water cooler contains the refrigeration system and is always mounted on the right side. This unit can be configured with the water cooler high or low. Refer to proper roughing in drawing for location of plumbing and electrical service. Filter units have additional instructions on a label inside fountain side access panel. Read these before installing unit. This drinking water cooler is designed to be operated at a water supply line pressure of up to 100 psi (690 kPa). A pressure regulator must be installed in front of the unit's water inlet if the water pressure (including any possible pressure spikes) could exceed 100 psi (690 kPa).
3. **FLUSH BUILDING WATER SUPPLY BEFORE INSTALLING UNIT.**
4. Install wall hangers as shown on the desired roughing in drawing. Wall hangers are shipped fastened to the backs of each unit.
5. **To configure this cooler for right side high or right side low installation, refer to details on page 3. Bottom screws of the appropriate side panel may be temporarily removed to install patch plate. Assemble drains, matching the position of the gaskets to the contour of the cooler tops. When used with a bottle filler, the unit must be configured as a right side high installation.**
6. For refrigerated units, mount the water cooler on the right hanger.
7. For non-refrigerated units:
  - a. TM Models employing touch free sensor and mechanical push button – fountain with the touch free sensor must be mounted on left side.
  - b. TT Models employing touch free sensor on both units – fountain supplied with power cord attached must be mounted on right side.
8. **On TT models, prior to mounting water fountain on left hanger route the loose 2 pin connector of power cord from the right-side unit through the open panels and connect into power supply adapter on the shelf inside the left side water fountain. Refer to details on page 4.**
9. Mount water fountain on left side hanger while routing "Water In" tube through access hole to stop valve as required. Remove cap from "Drain/Remote Cold Water" connection and insert "Water In" tube.
10. **All provided waste drain parts for field installation are packed in the water fountain. Assemble drain per appropriate roughing in drawing. The short leg of the crossover piece will be on the water cooler side. When unit has an internal waste trap, it should be wrapped with insulating tape to prevent sweating. Use of 1-3/4" knockout for a waste line is not recommended because of potential conflict with ADA\* toe space requirements. Check with your local building code inspector for approval.**
11. Install a shut off valve in water supply line. An in-line strainer is furnished in "Water Supply" tube. Connect "Water Supply" tube to shut off valve. This connection should not be a solder joint or flare connection to allow access to the strainer service. To ease removal of the strainer, a sheet metal screw may be lightly threaded into the open end.
12. Rotate fan blade by hand to see that it is free of obstructions.
13. Check available power supply against water cooler data plate to ensure correct electrical service. This drinking water cooler is intended to be connected to a 20A minimum ground fault circuit interrupting (GFCI) device to meet UL

requirements. Plug power supply cord into wall outlet. The rear most 1-3/8 diameter knockout in frame bottom is for an externally located electrical supply. Make sure knockout hole edge is smooth and free of any burrs. Use of Heyco bushing #2184 in knocked out hole is recommended to prevent damage to service cord and to close up excess opening around cord. Route cord so it does not interfere with ADA\* space requirements.

14. To fill cold water tank on water cooler, open water supply line shut-off and push any one of front push pads to allow water to flow to bubbler. On TM and TT models, actuate solenoid by holding one hand approximately 1" from infrared sensor (under front edge of shelf). Run water until stream is free of bubbles. After approximately 20 seconds run time, solenoid valve will automatically shut off. To reactivate, move hand away for an instant and then again place it in front of sensor.
15. To Adjust Bubbler stream:

All models are equipped with a cartridge regulator. The standard push pad and electric eye models have a slot at back of underside of shelf. Insert a screwdriver in this slot to adjust regulator. Turn adjustment clockwise to increase stream height. To access PGV8ACSL and PGVF8ACSL adjustment, remove the Bezel and Button from front of cooler.
14. On electric eye equipped models (TM and TT models), place and then hold hand approximately 1" from sensor (under front edge of shelf) to actuate solenoid valve. After approximately 20 seconds run time, solenoid valve will automatically shut off. To reactivate, move hand away for an instant and then again place it in front of sensor. Every time the power reboots, the bottle sensor automatically recalibrates itself. **IT IS IMPORTANT TO HAVE NO OBJECT PRESENT NEAR THE SENSOR EVERYTIME THE UNIT REBOOTS SO THAT SENSOR CALIBRATION IS DONE CORRECTLY.**

### **C. MAINTENANCE**

The only maintenance operation required is the removal of dirt and lint from the condenser of the water cooler. Inspection should be made at 3-month intervals. Disconnect the power supply cord, then clean the condenser with a small stiff non-wire brush when required. Observance of this procedure will ensure adequate air circulation through the condenser, so operation is efficient and economical.

### **D. OVERLOAD PROTECTION (water cooler)**

The compressor motor, where used, is equipped with an automatic reset protector which will disconnect the motor from the line in case of an overload.

### **E. LUBRICATION (water cooler)**

This unit is equipped with a hermetically sealed compressor and requires no additional lubrication. The fan motor on this unit seldom needs oiling, but if required, a few drops of SAE 10 oil should be used.

### **F. TO DISCONTINUE USE OF WATER COOLER AND WATER FOUNTAIN**

1. Close water shut off valve.
2. Provide container to catch water to be drained.
3. On push button model, disconnect power supply cord then disconnect water supply line at shut off valve. Route water supply line to container and actuate push button. If this drains too slowly for you, prepare 3/8" ID tube or 3/8" OD tube with quick-connect fitting and remove screw plug in tank drain. Slide tube over drain and route to container. Replace screw plug when draining is complete. Do not over-tighten. O-ring only needs to be snug to seal.
4. On TM and TT models, disconnect water supply line at shut off valve. Place water supply line in container and actuate solenoid as explained in Step B12. If this drains too slowly for you, disconnect power supply cord and prepare 3/8" ID tube or 3/8" OD tube with quick-connect fitting. Remove screw plug in tank drain. Slide tube over drain and route to container. Replace screw plug when draining is complete. Do not over-tighten. O-ring only needs to be snug to seal.
5. **ALWAYS DRAIN ALL WATER WHEN FREEZING TEMPERATURES ARE ANTICIPATED AND BEFORE SHIPPING THE WATER COOLER.**

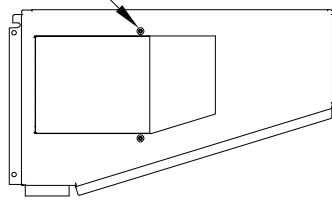
\*American With Disabilities Act

### **WARNING**

The warranty and the Underwriters' Laboratory listing for this machine are automatically voided if this machine is altered, modified, or combined with any other machine or device. Alteration or modification of this machine may cause serious flooding and/or hazardous electrical shock or fire.

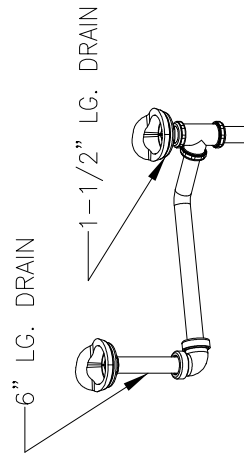
**EXCEPT AS SET FORTH HEREIN, THE MANUFACTURER MAKES NO OTHER WARRANTY, GUARANTEE OR AGREEMENT EXPRESSED, IMPLIED OR STATUTORY, INCLUDING ANY IMPLIED WARRANTY OR MERCHANTABILITY OR FITNESS FOR A PARTICULAR PURPOSE.**

WATER FOUNTAIN  
RIGHT SIDE PANEL



2 T15 TORX HEAD  
SCREWS (PROVIDED)

PATCH PLATE LOCATION  
FOR COOLER CONFIGURED  
FOR RIGHT SIDE LOW



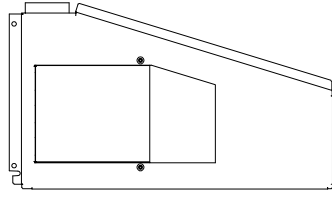
6" LG. DRAIN

1-1/2" LG. DRAIN

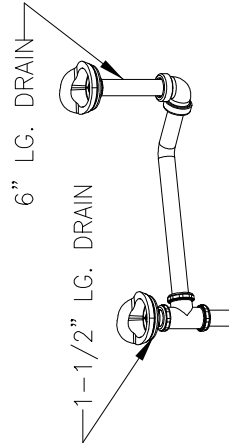
DRAIN CONFIGURATION  
RIGHT SIDE LOW

MOUNT DRAINS WITH PROVIDED  
1-1/4" LONG SCREWS

WATER COOLER  
LEFT SIDE PANEL



PATCH PLATE LOCATION  
FOR COOLER CONFIGURED  
FOR RIGHT SIDE HIGH



1-1/2" LG. DRAIN

6" LG. DRAIN

DRAIN CONFIGURATION  
RIGHT SIDE HIGH

MOUNT DRAINS WITH PROVIDED  
1-1/4" LONG SCREWS

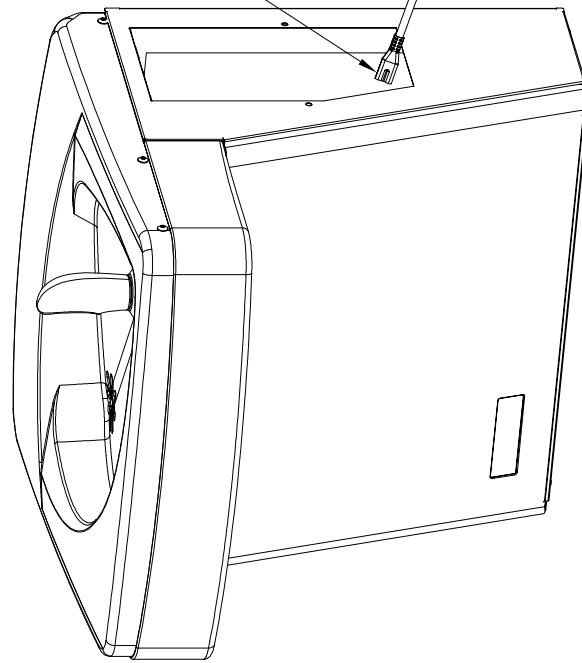
# TT MODEL-LEFT SIDE WATER FOUNTAIN

NOTE: PERFORM THIS STEP PRIOR TO MOUNTING LEFT SIDE FOUNTAIN

PRIOR TO MOUNTING WATER FOUNTAIN ON LEFT HANGER ROUTE THE LOOSE 2 PIN CONNECTOR OF POWER CORD FROM THE RIGHT-SIDE UNIT THROUGH THE OPEN PANELS AND CONNECT INTO POWER SUPPLY ADAPTER ON THE SHELF INSIDE THE LEFT SIDE WATER FOUNTAIN.

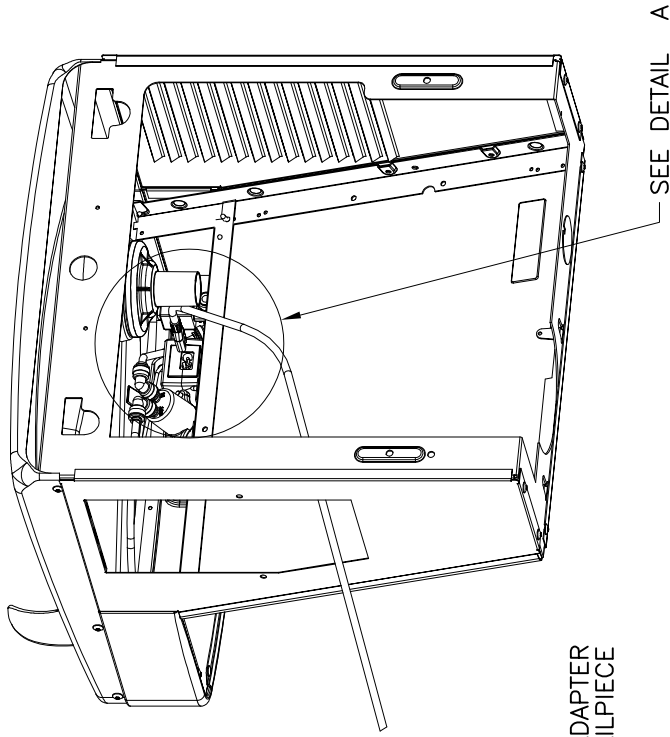
MAKE SURE POWER CORD IS COMPLETELY SEATED.

FRONT VIEW



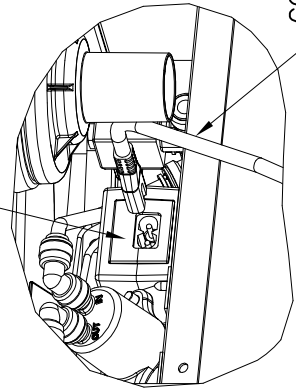
ROUTE 2 PIN CONNECTOR OF POWER CORD THROUGH RIGHT SIDE PANEL

BACK VIEW



SEE DETAIL A

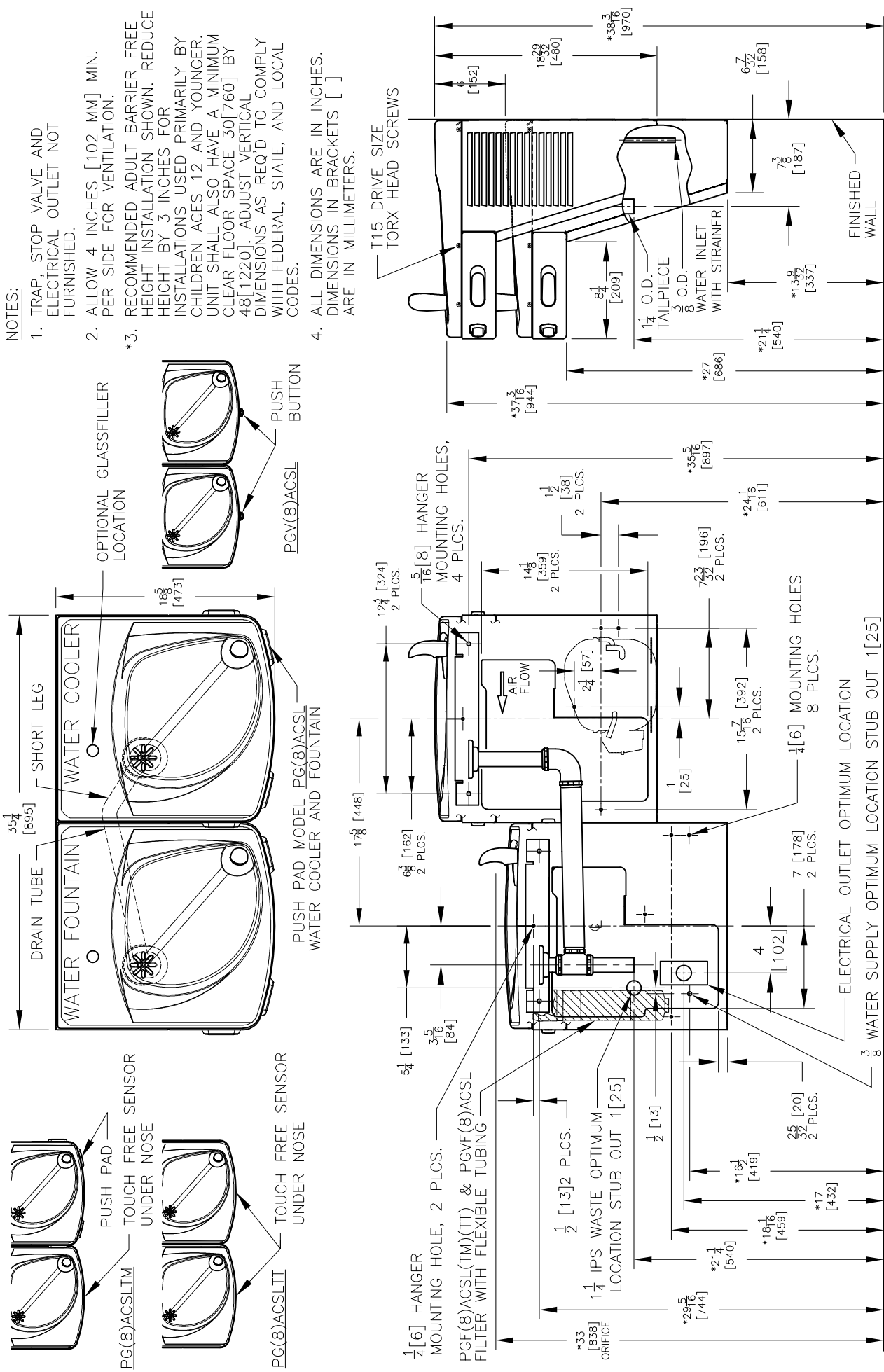
POWER SUPPLY ADAPTER BEHIND WASTE TAILPIECE



DETAIL A

CONNECT 2 PIN CONNECTOR TO POWER SUPPLY ADAPTER

**OASIS® VERSACOOLER® II MODELS**  
 PG8ACSL, PG8ACSLTM, PG8ACSLTT, PGV8ACSL, PGF8ACSL, PGF8ACSLTM, PGF8ACSLTT, PGV8ACSL  
 SUNROC MODELS ADA8ACB, ADAV8ACB, ADAACB, ADAF8ACB, ADAV8ACB, ADAF8ACB, ADAF8ACB



**NOTES:**

1. TRAP, STOP VALVE AND ELECTRICAL OUTLET NOT FURNISHED.
2. ALLOW 4 INCHES [102 MM] MIN. PER SIDE FOR VENTILATION.
- \*3. RECOMMENDED ADULT BARRIER FREE HEIGHT INSTALLATION SHOWN. REDUCE HEIGHT BY 3 INCHES FOR INSTALLATIONS USED PRIMARILY BY CHILDREN AGES 12 AND YOUNGER. UNIT SHALL ALSO HAVE A MINIMUM CLEAR FLOOR SPACE 30[760] BY 48[1220]. ADJUST VERTICAL DIMENSIONS AS REQ'D TO COMPLY WITH FEDERAL, STATE, AND LOCAL CODES.
4. ALL DIMENSIONS ARE IN INCHES. DIMENSIONS IN BRACKETS [ ] ARE IN MILLIMETERS.

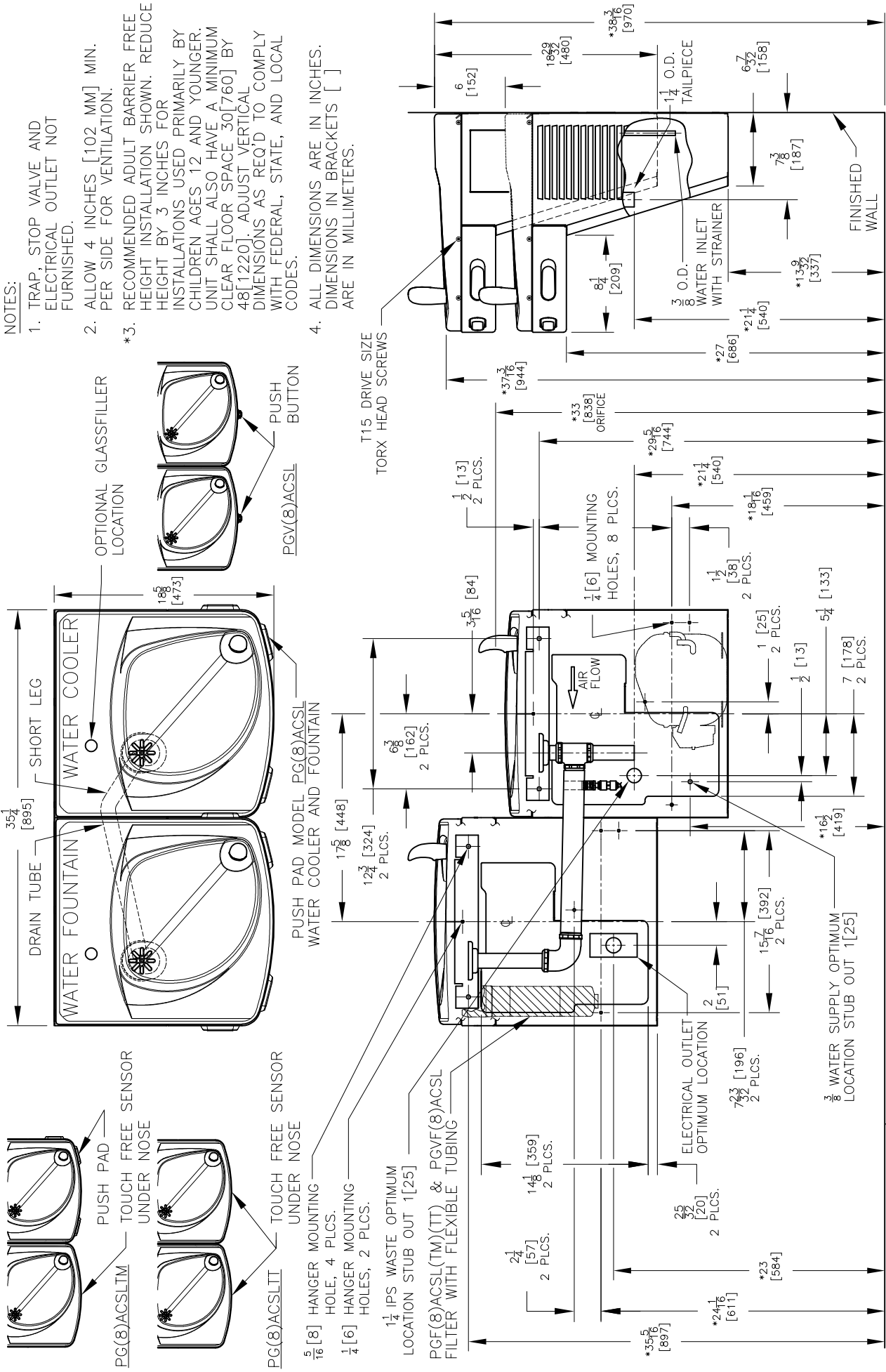
**RIGHT SIDE HIGH CONFIGURATION**

THIRD ANGLE PROJECTION

ROUGHING-IN AND DIMENSIONAL DRAWING

OASIS® VERSACOOLER® II MODELS

PG8ACSL, PG8ACSLTM, PG8ACSLTT, PGV8ACSL, PGF8ACSL, PGF8ACSLTM, PGF8ACSLTT, PGVF8ACSL  
 SUNROC MODELS ADA8ACB, ADAV8ACB, ADAACB, ADAF8ACB, ADAV8AC, ADAF8AC, ADAFACB

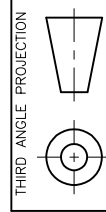


NOTES:

- TRAP, STOP VALVE AND ELECTRICAL OUTLET NOT FURNISHED.
- ALLOW 4 INCHES [102 MM] MIN. PER SIDE FOR VENTILATION.
- RECOMMENDED ADULT BARRIER FREE HEIGHT INSTALLATION SHOWN. REDUCE HEIGHT BY 3 INCHES FOR INSTALLATIONS USED PRIMARILY BY CHILDREN AGES 12 AND YOUNGER. UNIT SHALL ALSO HAVE A MINIMUM CLEAR FLOOR SPACE 30[760] BY 48[1220]. ADJUST VERTICAL DIMENSIONS AS REQ'D TO COMPLY WITH FEDERAL, STATE, AND LOCAL CODES.
- ALL DIMENSIONS ARE IN INCHES. DIMENSIONS IN BRACKETS [ ] ARE IN MILLIMETERS.

RIGHT SIDE LOW CONFIGURATION

ROUGHING-IN AND FINISHED WALL DIMENSIONAL DRAWING



FINISHED FLOOR



OASIS INTERNATIONAL

222 East Campus View Blvd. • Columbus, OH 43235 U.S.A.

1-800-950-3226

[www.oasiscoolers.com](http://www.oasiscoolers.com)

OASIS is a registered trademark of LVD Acquisition, LLC dba Oasis International

© 2021 LVD Acquisition, LLC  
030099-633, Rev. A, Date 7/2021