



## VERSAFILLER®

### Drinking Fountain/VersaFiller Combo Installation Instructions

#### Models:

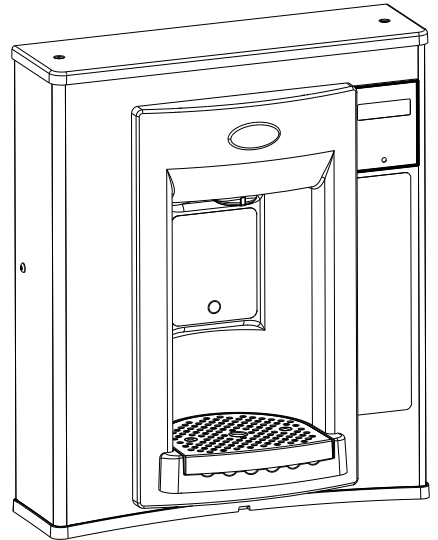
- **PWEBF**
- **PWFEBF with VersaFilter III**

The Hands-Free VersaFiller is an extension of the Aqua Pointe® product line that mounts directly above Versacooler® I and II products. If the cooler outlet does not have two useable plugs, an outlet splitter will need to be used.

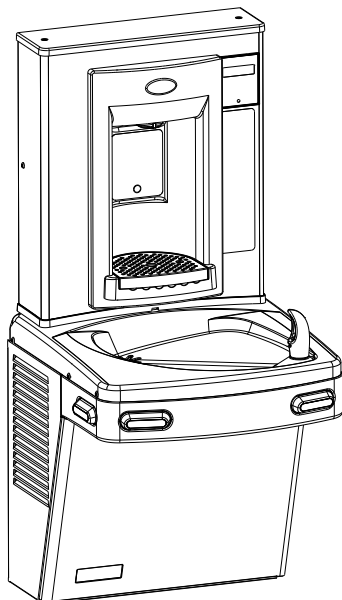
If installed onto a refrigerated cooler, chilled water can be dispensed through the VersaFiller. Otherwise, room temperature water will be dispensed.

The VersaFiller is shipped partially assembled.

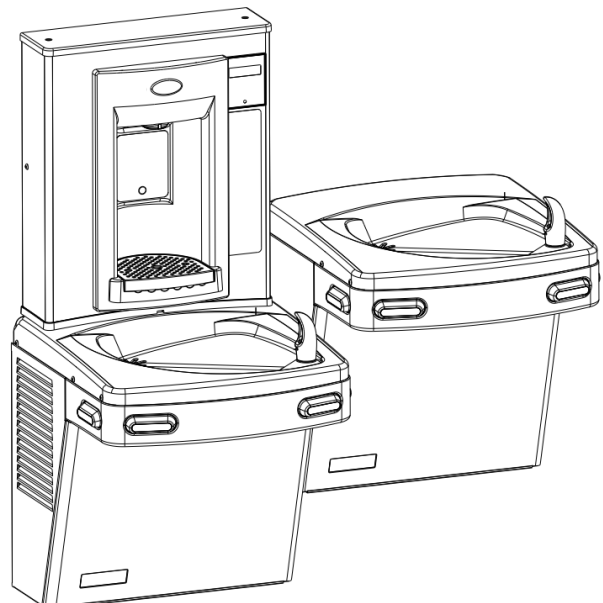
On the combo units, the cooler is plumbed and ready to attach to the VersaFiller.



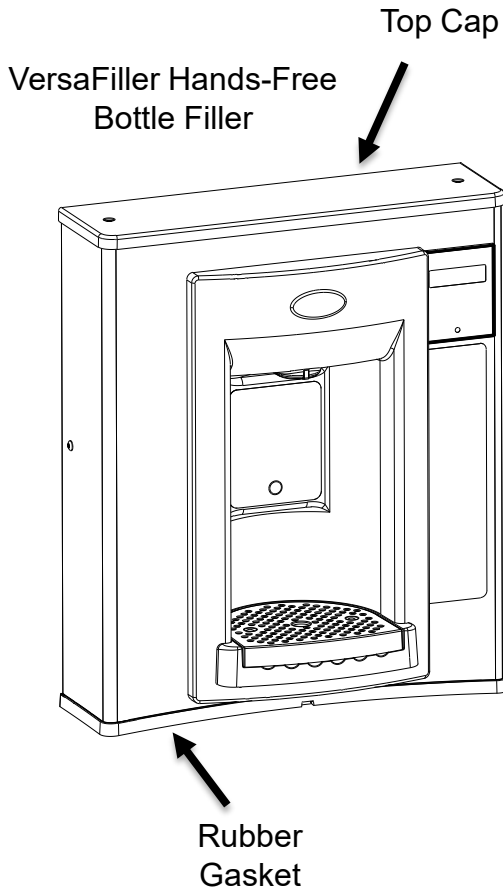
**When completed, the finished assembly will look like this:**



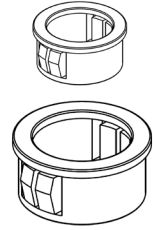
OR



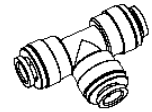
## What's Included:



38" of 1/4" OD plastic tubing with 38" of sponge tubing insulation



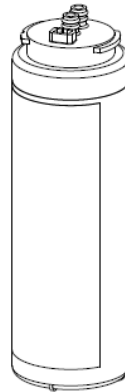
Snap bushings 7/8" and 1 1/2"



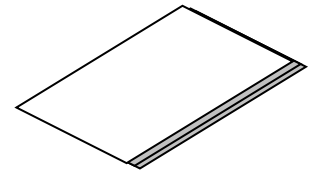
Quick connect tee fitting



Quick connect elbow fitting



VersaFilter III  
(Model PWFEFB only)



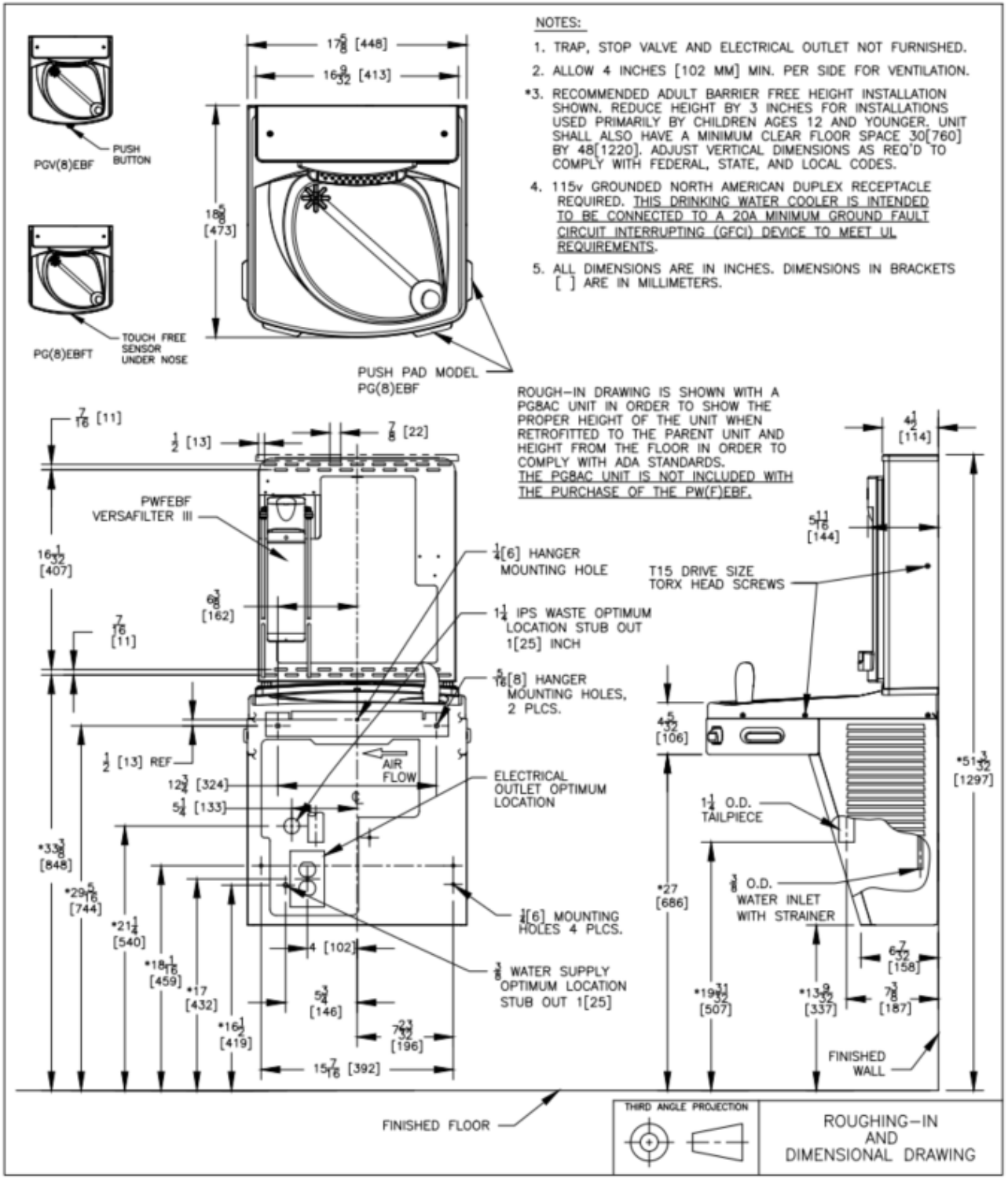
Installation instructions

## Tools required:

- 3/8" pilot drill and either a step drill bit up to 7/8" diameter that will drill through SS top or 7/8" diameter punch die (retrofit version only)
- Electric drill; wrench for punch die
- Small tubing cutter for copper tube
- 1/4" nut driver
- # 2 Phillips screw driver
- #15 torx bit driver

# Section 2: Rough In Drawing

## Oasis PWEBF & PWFEBF: Versacooler® II Models PGAC, PG8AC, PGVAC, PGV8AC, PRACT, PG8ACT with Hands-Free VersaFiller

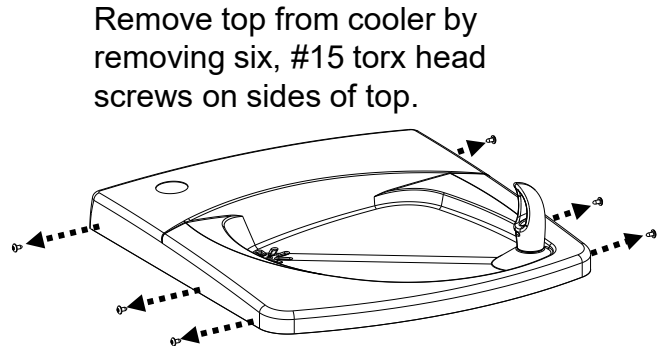
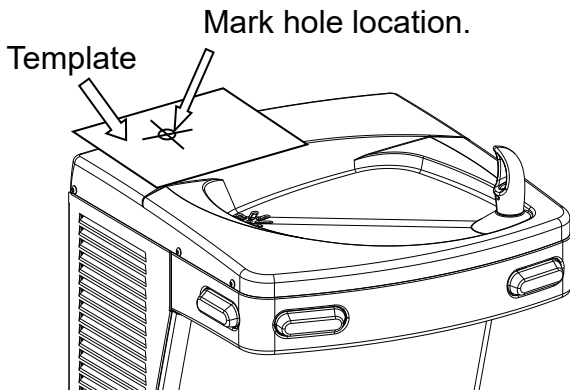




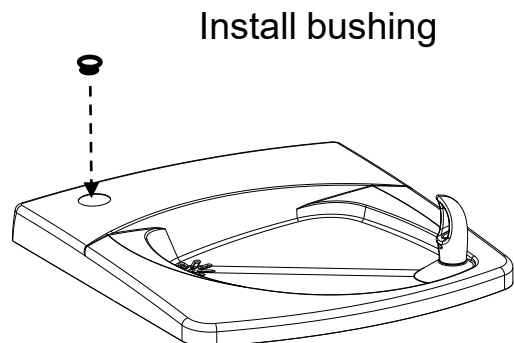
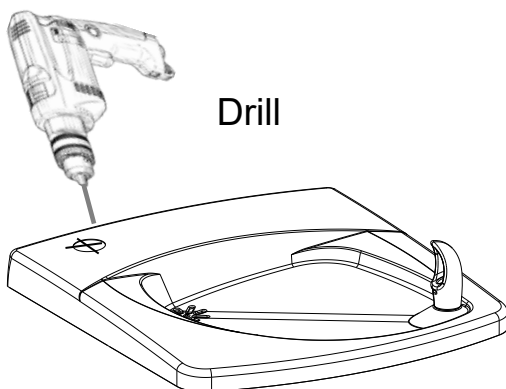
**Note: Proceed to Sect 3B Step 5 “Final steps for both product families” if the cooler is purchased “VersaFiller ready”.**

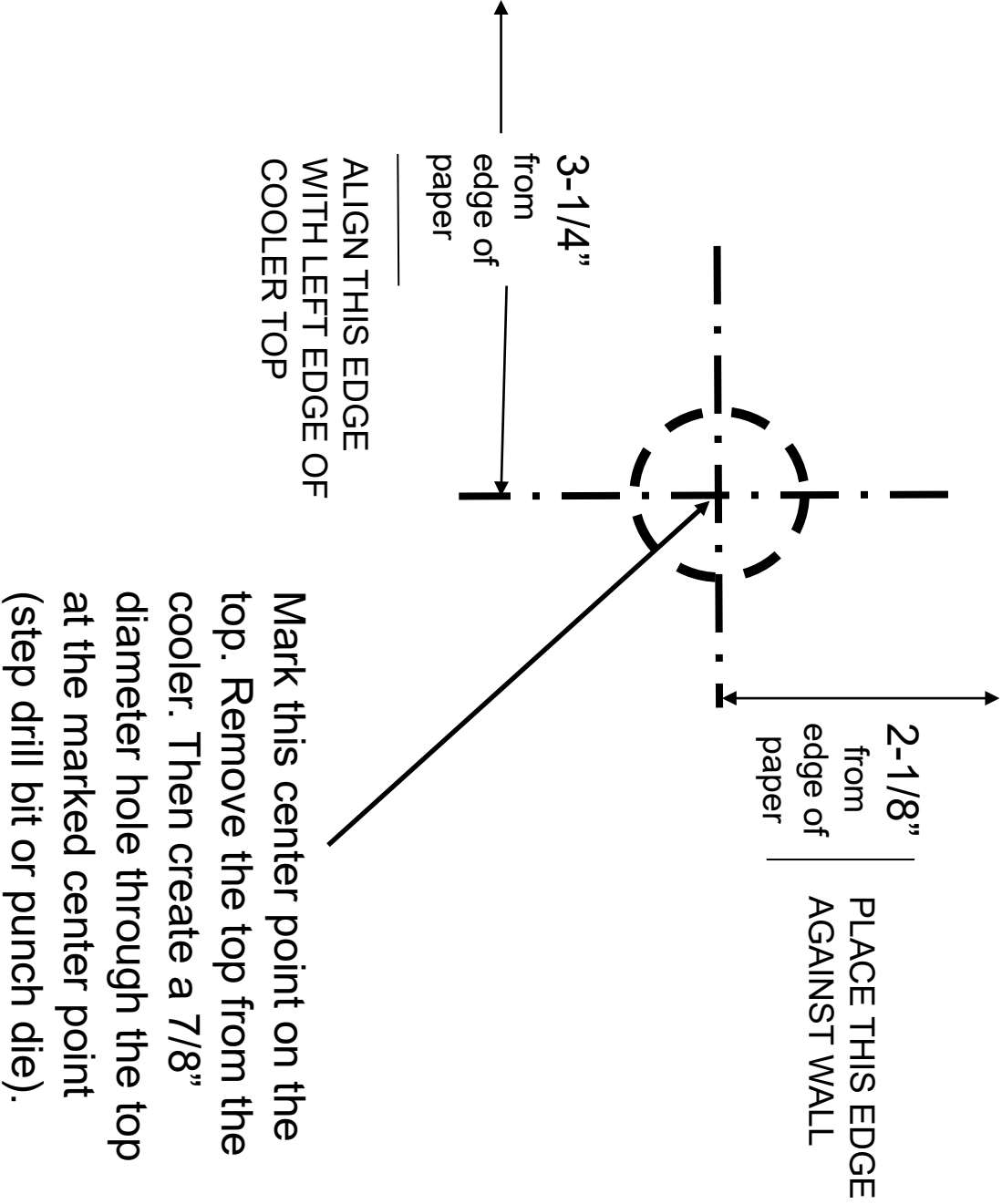
### **A: Drilling hole in the top for water line connection.**

1. Disconnect power by UNPLUGGING unit. It might be necessary to remove the front panel to get access to the power.
2. Turn OFF water supply to the unit. It might be necessary to remove the front panel to access the water stop valve.
3. Place hole template onto cooler top so it is aligned with the left side of unit and wall. SEE NEXT PAGE FOR TEMPLATE
4. Mark hole location
5. Remove top from unit.



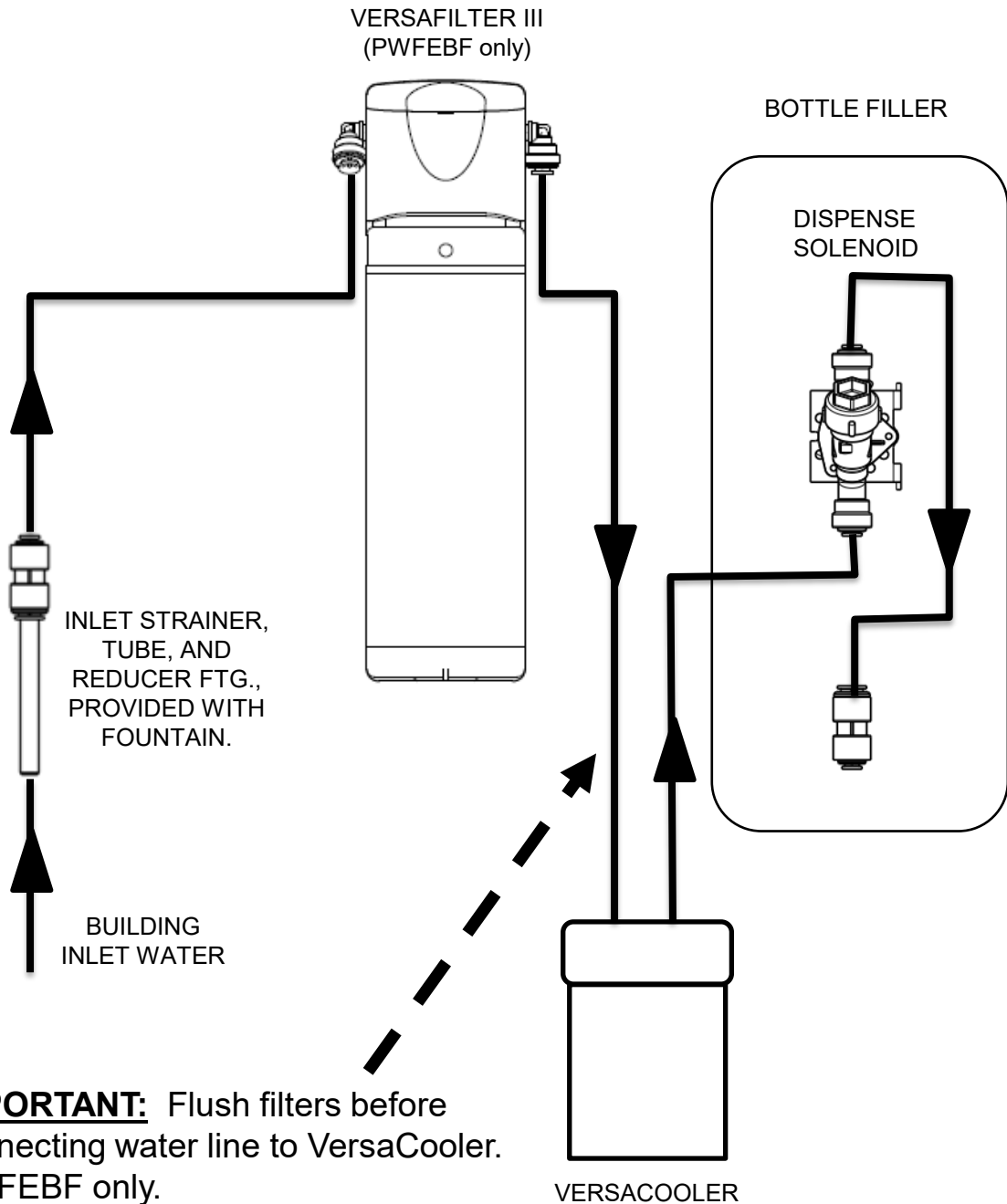
6. Using a step drill bit or 7/8" punch die, make a 7/8" hole through top. You may want to drill a pilot hole to get these started.
7. Install snap bushing into hole to protect tubing from being cut.





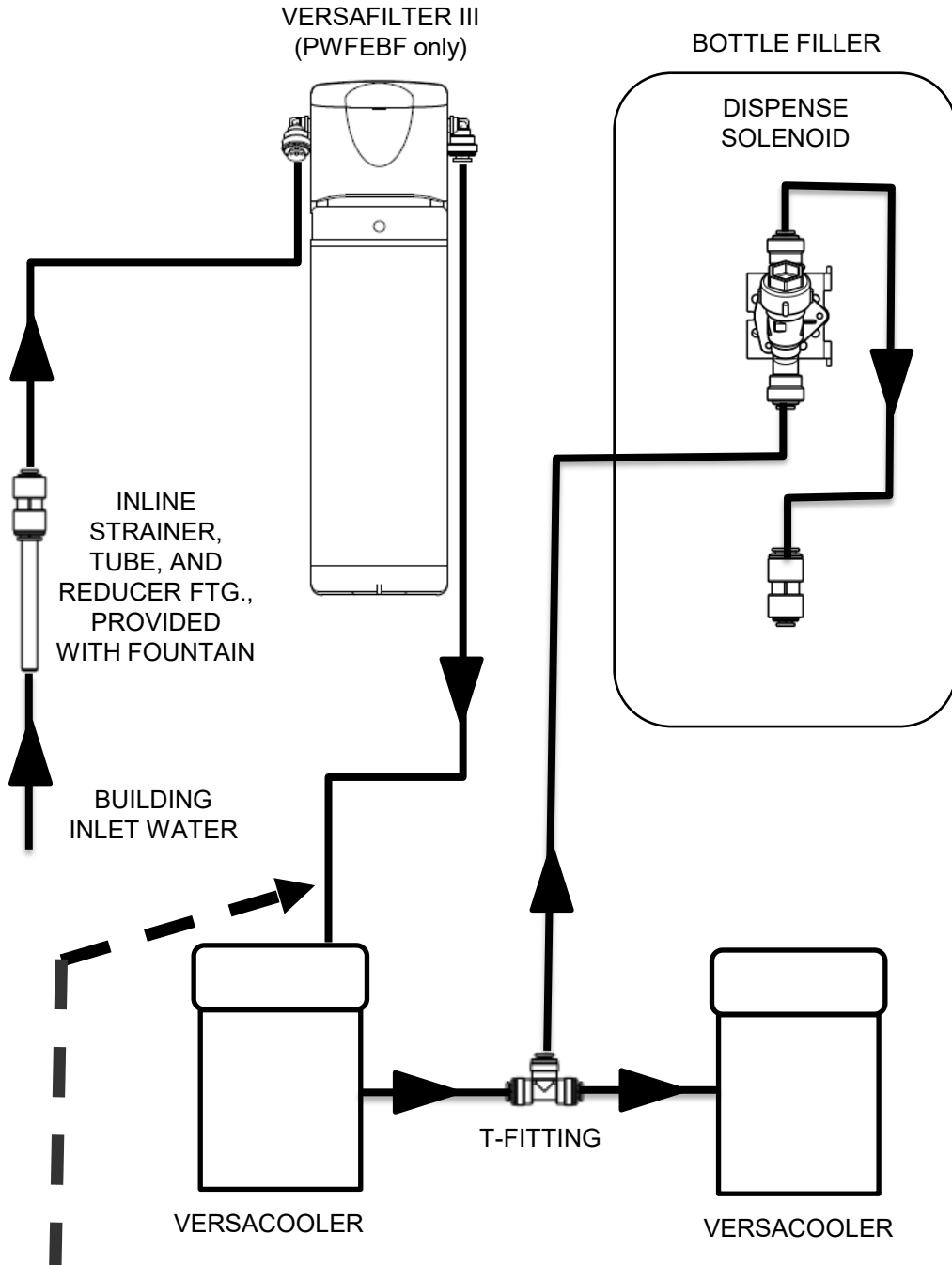
USE THIS TEMPLATE TO MARK THE HOLE LOCATION ON COOLER TOP

## Versacooler to Bottle Filler Plumbing Diagram



**IMPORTANT:** Flush filters before connecting water line to VersaCooler. PWFEFB only.

## Two Versacoolers to Bottle Filler Plumbing Diagram



**IMPORTANT:** Flush filters before connecting water line to VersaCooler. PWFEFB only.



### B: Connecting the water line

**Note: If you are retrofitting the Versafiller to an existing cooler, follow the instructions starting on page 11.**

For the single “Versafiller ready” cooler, the tube to connect to the Versafiller is found inside the access panel (the compressor compartment) or found inside the Bottle Filler. This tube supplies cold water from the cooling tank to the Versafiller.

1/4" OD tube to connect to Versafiller



For split level “Versafiller ready” coolers, the tube to plumb in the Versafiller is packaged in the dummy unit or found inside the Bottle Filler.

Remove tube from bag.



First, remove plug from fitting on tank drain



Next, insert end of tube into fitting.



The tee and tube to the Versafiller are packaged with the PWEBF unit. One branch of the tee will supply the valve on the dummy unit, the other branch of the tee will connect to the Versafiller.

If a filter is being installed, cut a piece of tubing about 3" long to insert (optional) flow switch right after filter and before tee. This allows Versafiller counter to accurately calculate amount of water passing through filter.

Tube to connect valve  
on dummy unit



Tube to connect  
Versafiller



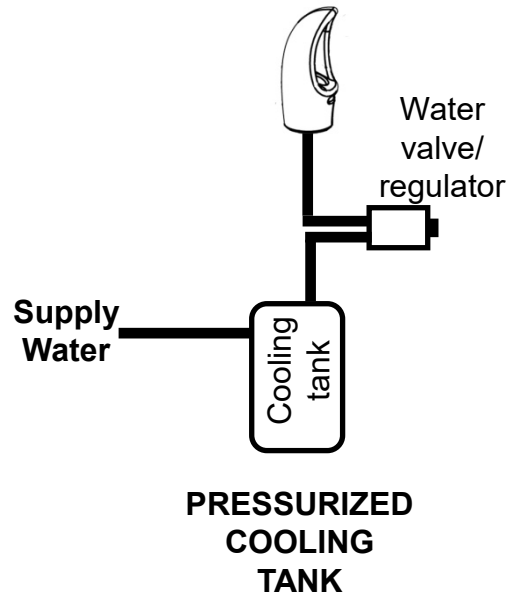
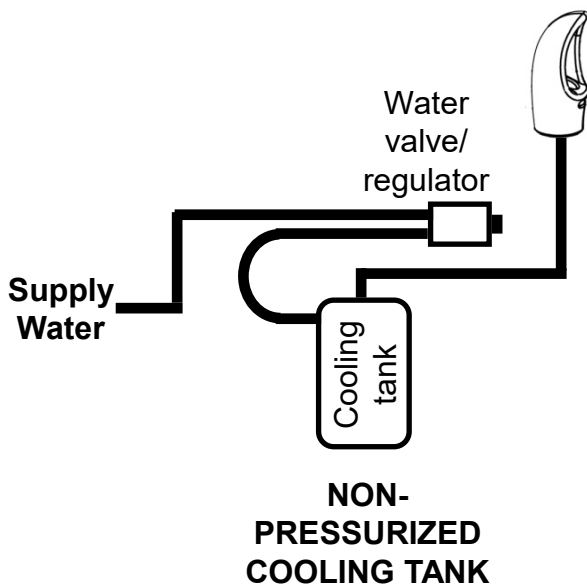
Tube to connect chilled  
water to dummy unit  
and Versafiller



Go to Step 5 "Final steps for both product families:"

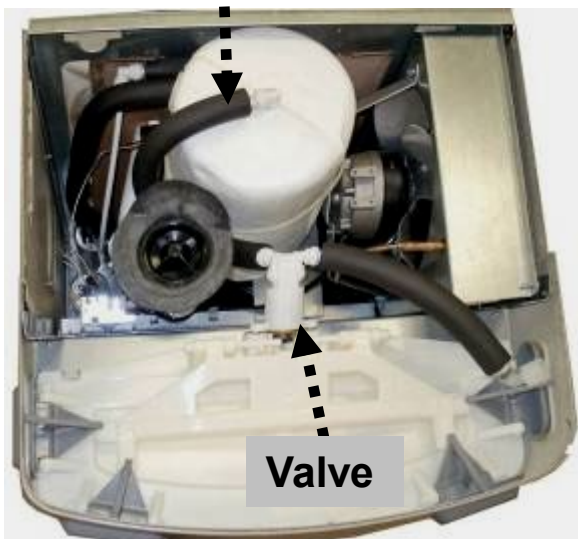
To retrofit the Versafiller to an existing unit, follow the instructions below:

If the cooling tank is non-pressurized, then go to the “Pressurizing the cooling tank” addendum section. Otherwise, proceed to step 1 below. Non-pressurized units are single units made since December of 2009. Refer to the schematic below to identify the system that you have.



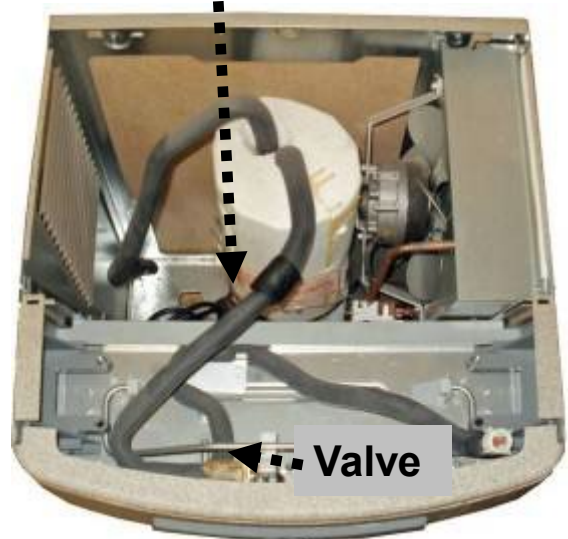
1. With the cooler top removed, find the tube going from the cooling tank outlet to the valve. The TEE fitting (supplied) will need to connect between the cooling tank and valve.

**Outlet Tube (insulated plastic)**



**P8AC family**

**Outlet Tube (insulated copper)**



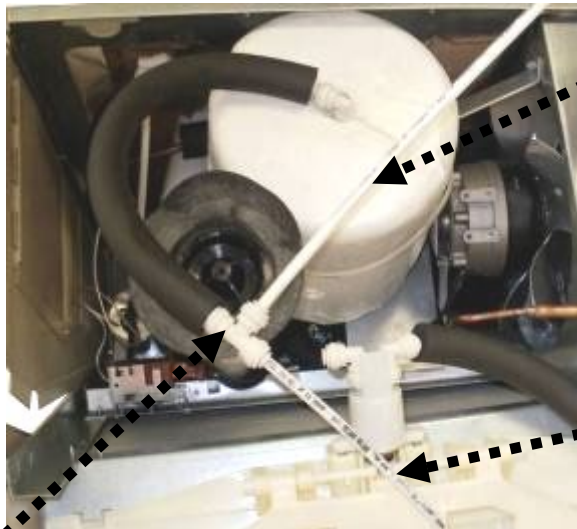
**P8AM family**

## Section 3B: Installation: For the P8AC Version: Versacooler II

2. Disconnect tubing from the elbow on the valve.



3. Using the 38" piece of tubing provided, cut 6" and install it on the end of the TEE. Install the remaining tubing onto the branch of the TEE. Connect the other end of the TEE to the tank outlet tubing (tube that was disconnected from the elbow).



32" tubing

6" tubing

TEE

4. Route the TEE and tubing under the waste drain and connect the 6" length to the water valve elbow.



Water  
valve  
elbow

Go to Step 5 "Final steps for both product families:"

## Section 3B: Installation: For the P8AM Version: Versacooler I

2. Remove tar tape from the insulation on the outlet tube.



3. Pull back insulation and cut the copper tube with a tubing cutter. Cut where there is at least 1 inch of *straight* tubing on each side of the cut.



4. Install TEE fitting by connecting the copper tubing to each end. Then install the 32" piece of plastic tubing to the TEE branch.



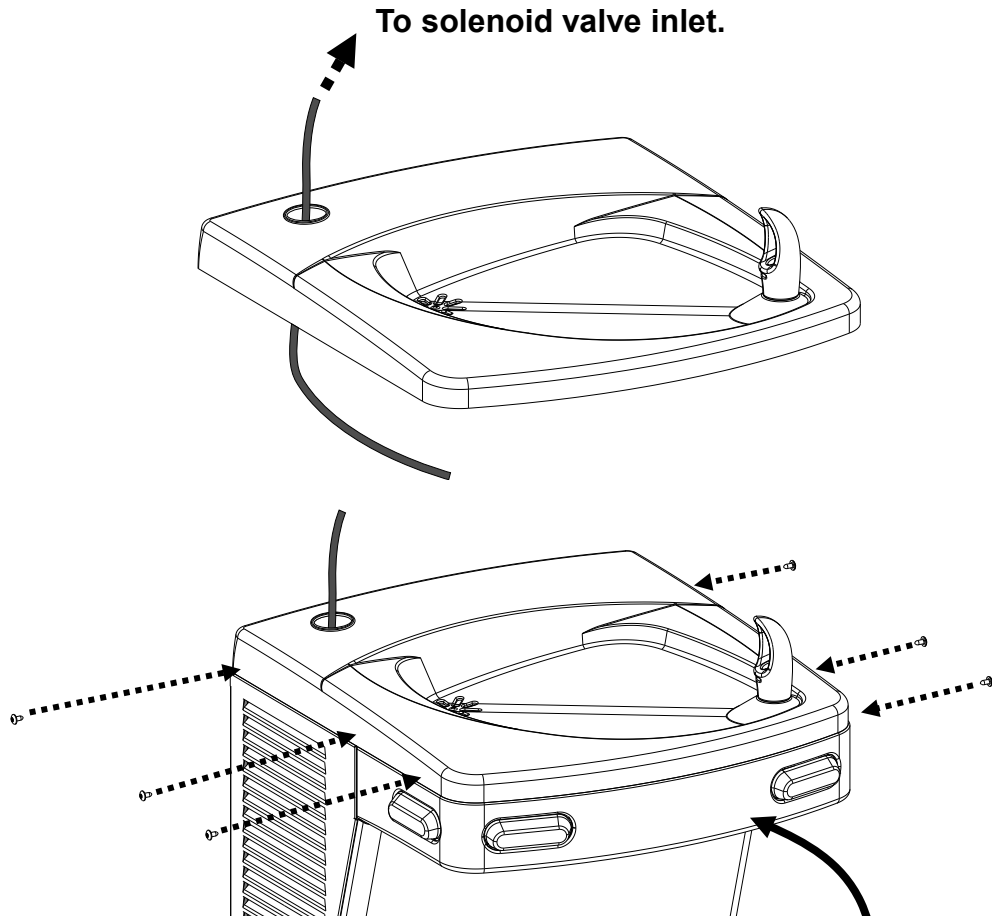
32" plastic tubing (supplied)

## Section 3B: Installation: **Final steps for both product families:**

5. Feed black and blue tubing up through bushing in top.

- For single unit, also feed white tube attached to tee through bushing.
- For split level, connect tee and white tube packed with bottle filler per schematic below.

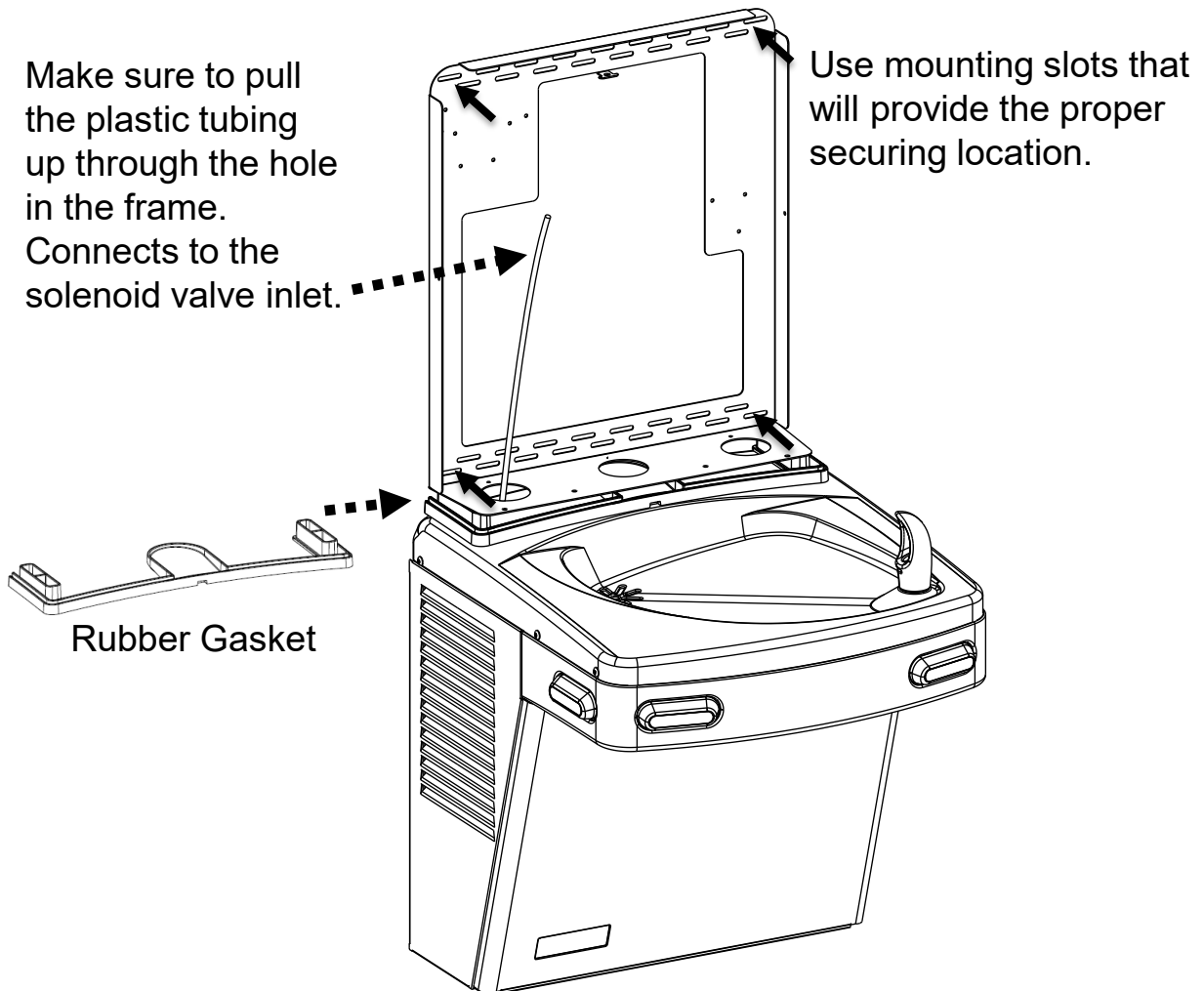
Attach top to cooler. If flow switch was installed, cord from flow switch must also pass through this bushing.



**TIP:** For the P8AM, it is easier to connect the outlet tube to the bubbler if the front nose is removed.

### C: Mounting the frame to the wall

1. Place rubber gasket on top of the cooler so it is centered left/right and against the wall.
2. Set the wall frame onto the gasket. Center it left/right and push it against the wall and mark hole locations for wall fasteners. The gasket will set the frame at the proper height.



3. Secure frame to the wall with fasteners (not provided). Pull plastic tubing up through the hole in the frame.

### D: Installing and Flushing Filter Cartridge (PWFEBF only)

1. Insert filter cartridge, rotate  $\frac{1}{4}$  turn until locked.
2. Route water supply plastic tube attached to filter head inlet (left side) through hole in frame and top. Connect to fountain water supply.
3. Route filter outlet tube attached filter head outlet (right side) to fountain drain in top. Flush filter cartridge before connecting to fountain cooling tank inlet fitting.

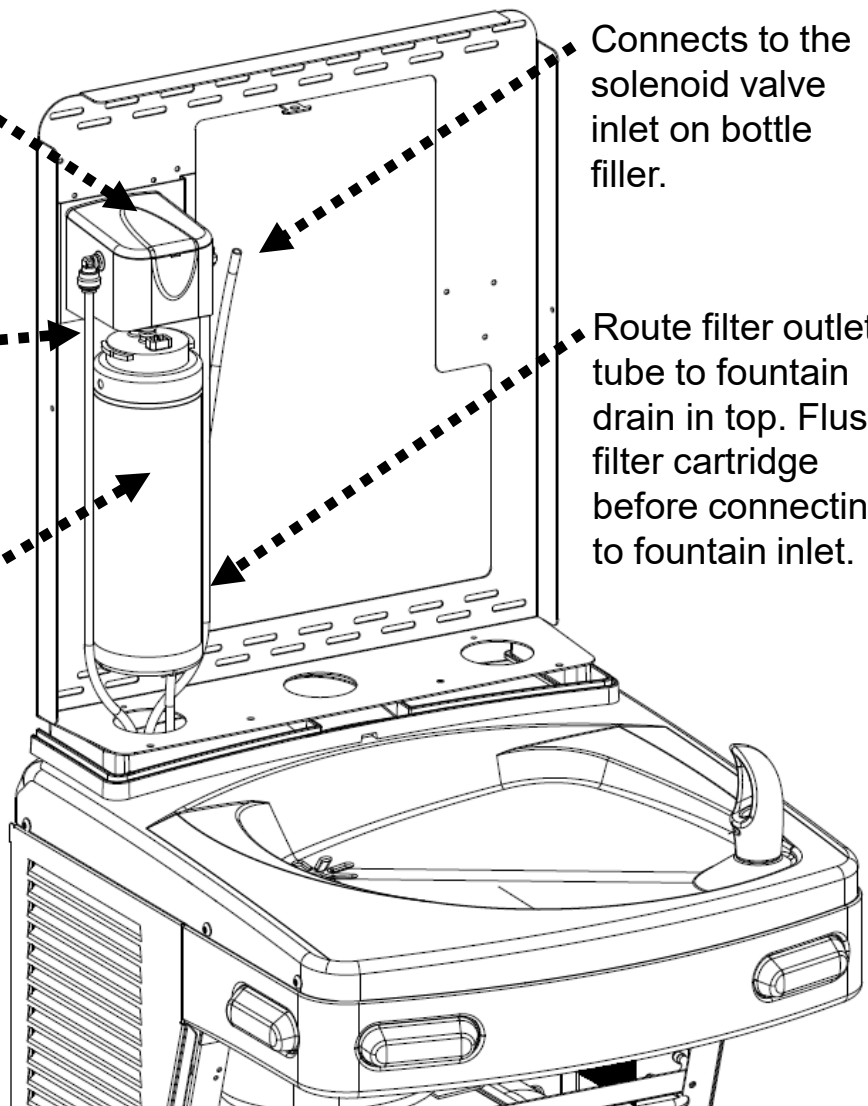
VersaFilter III  
Head Assembly

Route water supply  
plastic tube through  
hole in frame and  
hole in top. Connect  
to fountain water  
supply.

VersaFilter III  
Filter Cartridge

Connects to the  
solenoid valve  
inlet on bottle  
filler.

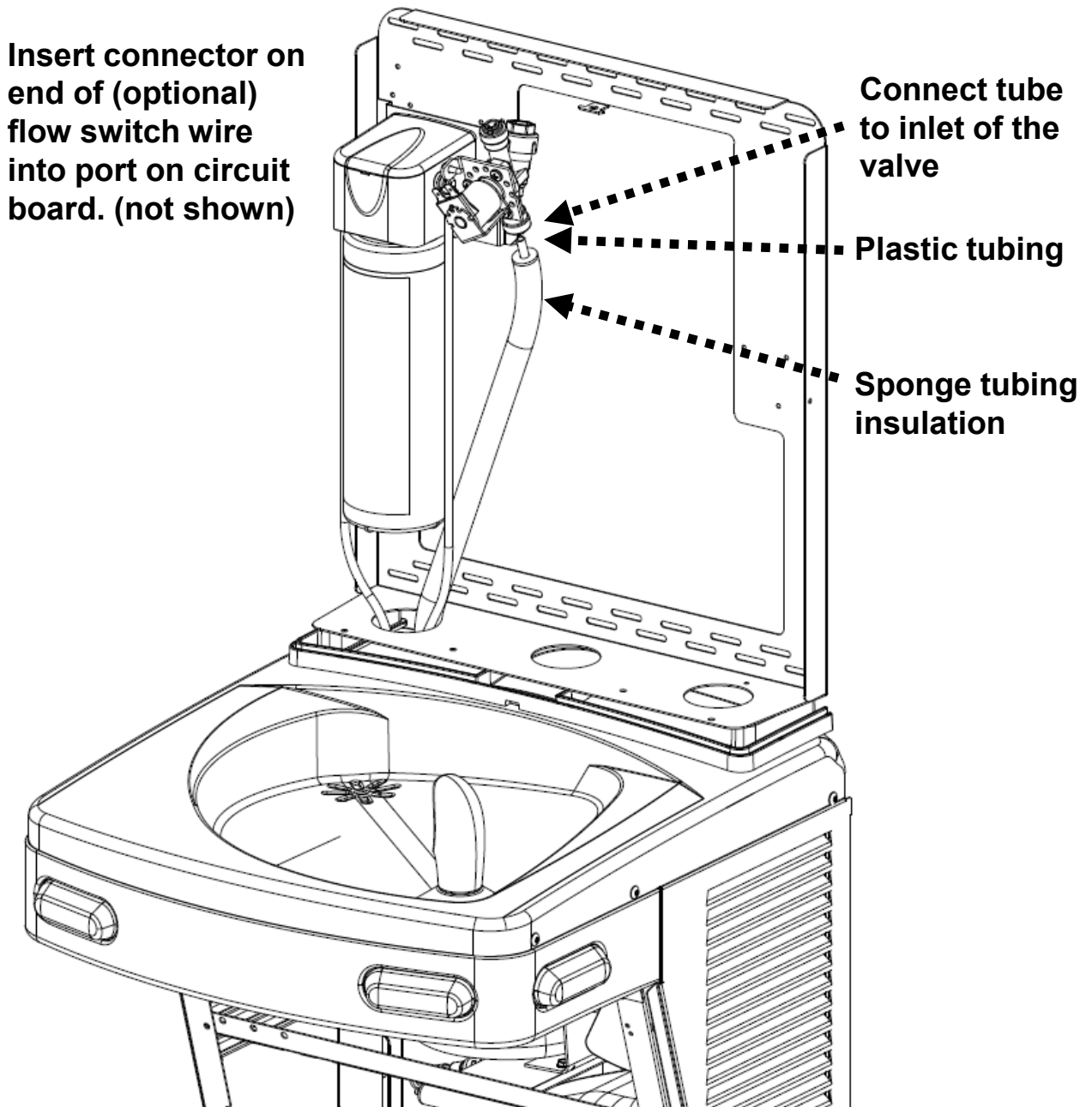
Route filter outlet  
tube to fountain  
drain in top. Flush  
filter cartridge  
before connecting  
to fountain inlet.





## Section 3E: Installation

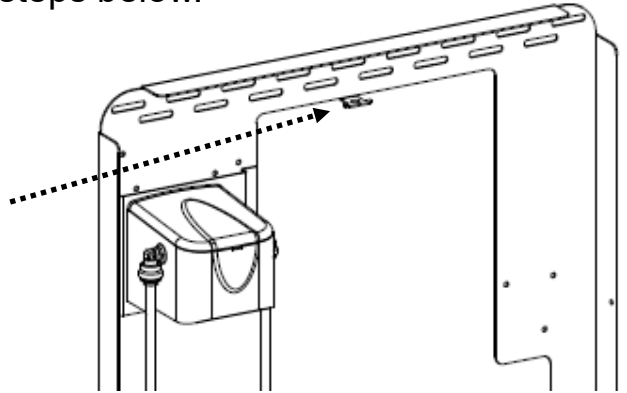
1. Slide sponge tubing insulation over water line. Connect the tubing to the INLET of the solenoid on the back of the Hands-free VersaFiller assembly and (optional) flow switch connector into port on circuit board.



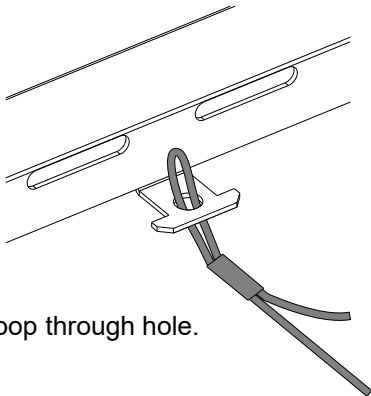
## E: Attaching the Tether

2. Install bottle filler tether with the steps below.

Attach the tether line assembled to the bottle filler dispense bracket to the cleat on the mounting frame.

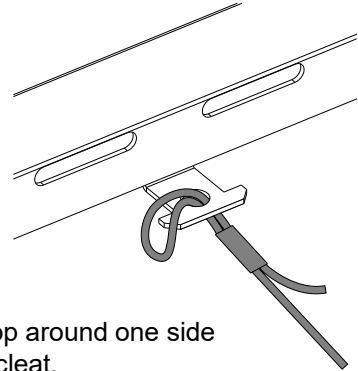


1.



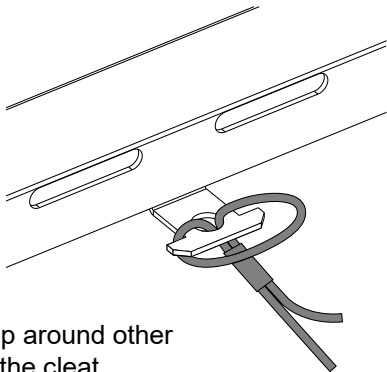
Push loop through hole.

2.



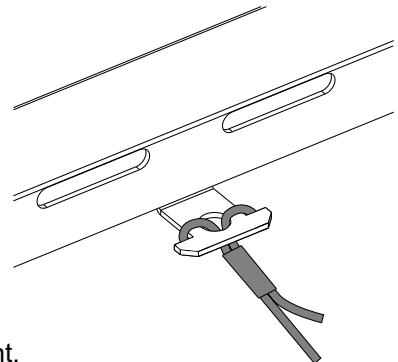
Put loop around one side of the cleat.

3.



Pull loop around other side of the cleat.

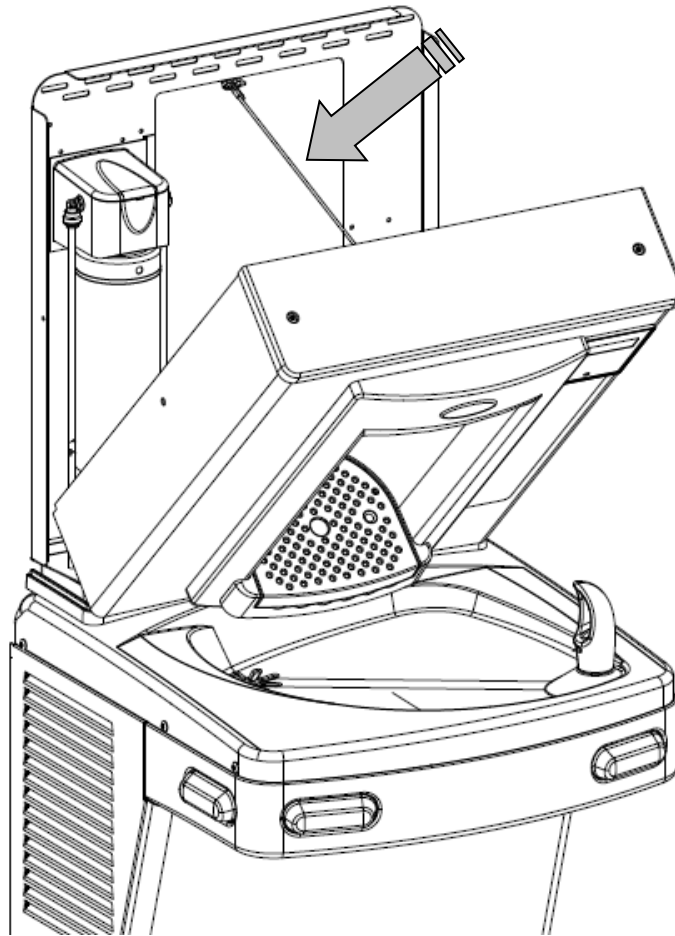
4.



Pull tight.

## Section 3E: Installation

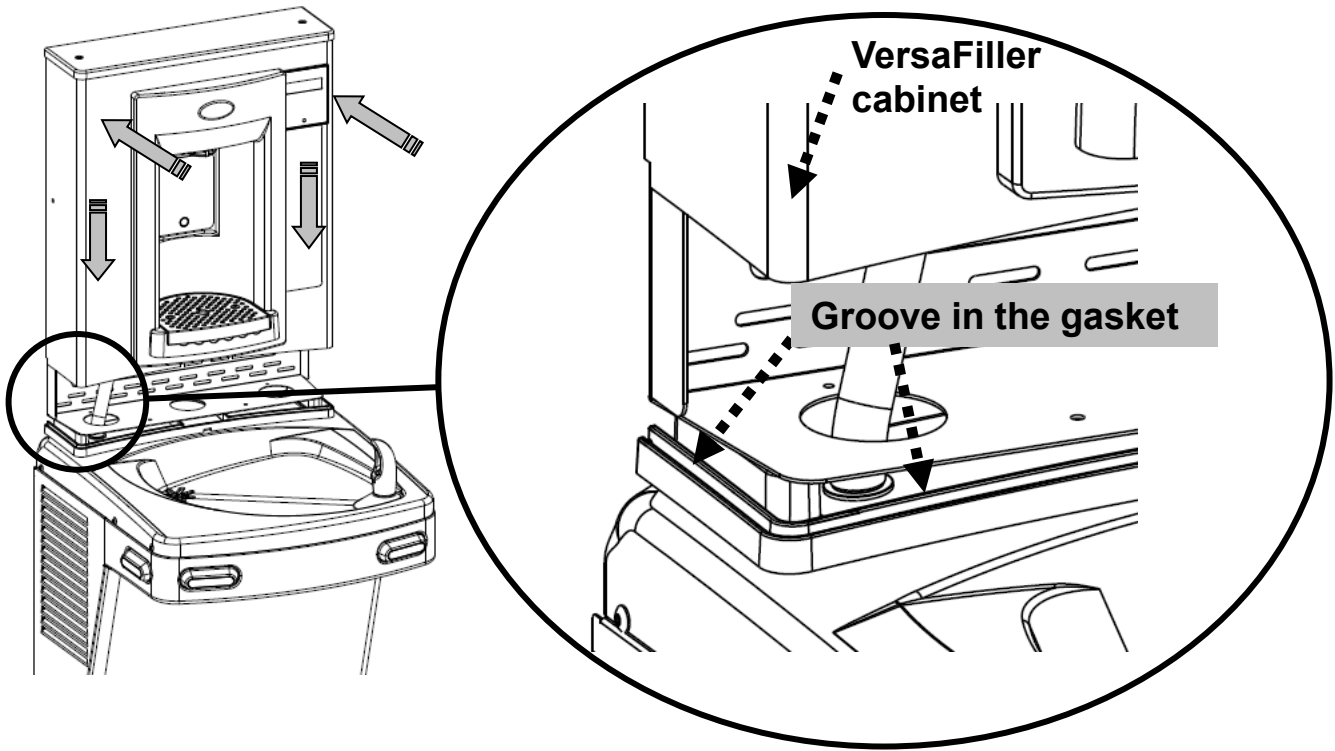
The tether keeps the bottle filler secured to the frame when changing the filter. Make sure the tether is installed properly to avoid accidental damage to the unit.



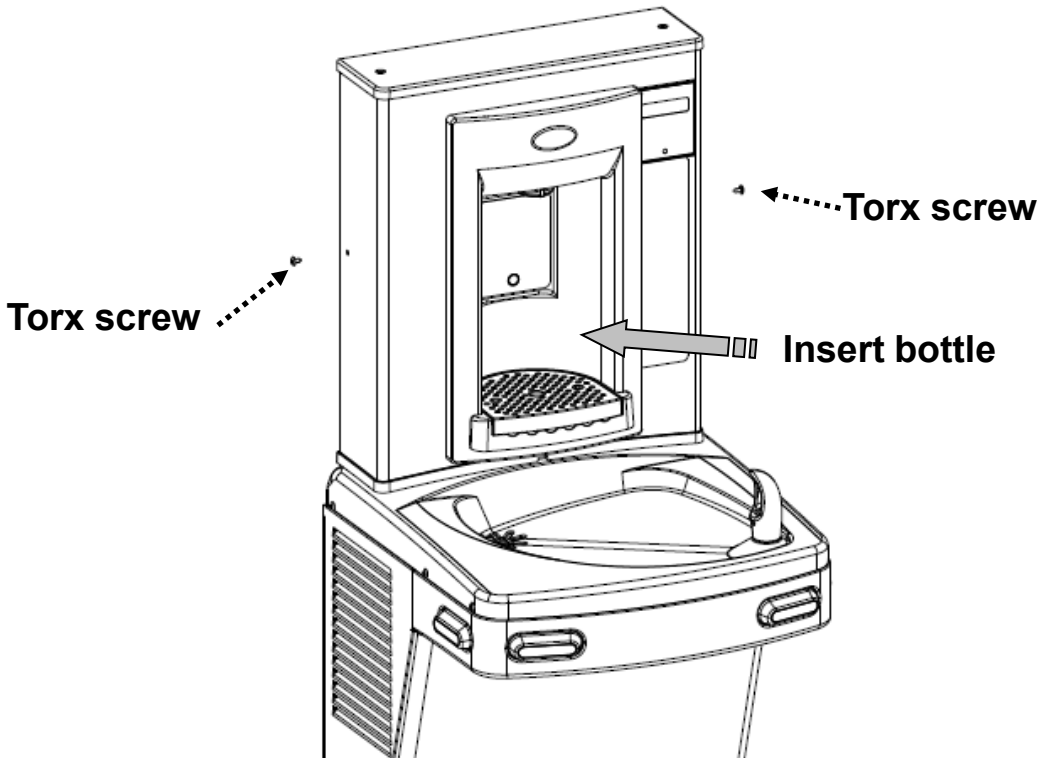
3. Before the Bottle Filler cabinet is set into place, feed the terminals on the power supply power cord and the long green ground wire through the bushing on the cooler top.
4. Connect male terminals on the bottle filler power supply to female terminals on power cord. Make sure that the power cord is firmly connected to the power supply.
5. Attach the long green ground wire to cooler power cord ground located on cooler frame or to electrical box ground.

## Section 3E: Installation

6. MAKE SURE the cabinet fits into the groove in the rubber gasket on both sides and front of the wrapper.



See next page to secure Bottle Filler assembly to frame with torx screws.



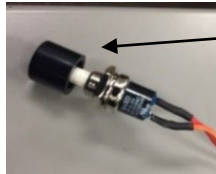
7. Attach Bottle Filler assembly to the frame using two (2) torx screws. If you are going to change the electronics default settings, remove the Top Cap and two (2) torx screws.
8. Plug bottle filler cord into the electrical outlet. The program should be set up specific for that installation. See the program guide on next page. Access programing Pushbutton through top of Bottle Filler.
9. Turn ON water supply and check for leaks. Place a container in the alcove to release any trapped air from the system. Plug in the power cord and replace the front panel.
10. If everything works correctly, place the Top Cap back on the Bottle Filler and the two (2) torx screws to fasten it in place. Otherwise, calibrate the sensor per the instructions on the next page.

**INSTALLATION COMPLETE**

# Section 4: Set-up guide for bottle filler electronics

## Factory default program settings are:

- Units - Gallons
- Unfiltered unit
- Flow Meter = Rate Selected
- Filter Capacity = 1250 gallons [4731 liters] for a VersaFilter
- Bottle Count = 0.5L (1 Bottle)
- Flow Rate = 1.2 GPM
- 20 second maximum dispense time



Pushbutton

## To change the program settings, follow these steps:

<u>Display</u>	<u>Action</u>
00000000 BOTTLES REUSED (Home Screen)	Depress button for 3 seconds to enter into the following menu settings and make changes. Note: at anytime it will exit menu and save settings when idle for 10 seconds (no button press) and revert back to Home Screen.
LTR/GAL GAL	Depress button 3 seconds to change from Gallons to Liters, or momentary press to advance to next menu.
UNFILTR/FILT? UNFILTR UNIT	Depress button 3 seconds to change from Unfiltered to Filtered unit, or momentary press to advance to next menu.
FLOW METER? RATE SELECTED	Depress button 3 seconds to change from Rate Selected to (Flow) Meter Enabled, or momentary press to advance to next menu. Not included on all models.
SELECT RATE 1.2 GPM UNIT	To change flow rate, momentarily depress button to change whole gallon digit. Hold button 3 seconds to advance to TENTHS of gallon digit. Depress momentarily to change the digit. Hold button 3 seconds to advance to the next menu.
RESET 00000000 GALLON CNT [LTR COUNT]	Depress button for 3 seconds to reset Gallon or Liter count, or momentary press to advance to next menu.
FILT CAPAC OF 1250 GAL [4731 LTR]	Depress button for 3 seconds to change filter capacity to 3000 GAL [11355 liters] for Galaxi green filter, or Repeat this step to program for 4750 [18050 liters] gallons for Versafilter III or momentary press to advance to next menu.
3 sec rule? 0.5L	Depress button for 3 seconds to switch from 0.5L bottle to 3 sec rule, or momentary press to advance to next menu. (The 3 Sec rule increases the bottle count based on a 3 second dispense.)
Reset 00000000 BOT COUNT?	Depress button for 3 seconds to reset (Home Screen) BOTTLES REUSED count, or momentary press to advance to next menu.
Bot Filler Set_time: 20 s	Depress button for 3 seconds to change maximum dispense time to 10, 20 or 30 seconds, or momentary press to advance to next menu.
RUN CAL AGAIN?	Depress button 3 seconds to run calibration again, or momentary press to advance to next menu.

## Addendum Section: Pressurizing Cooling Tank



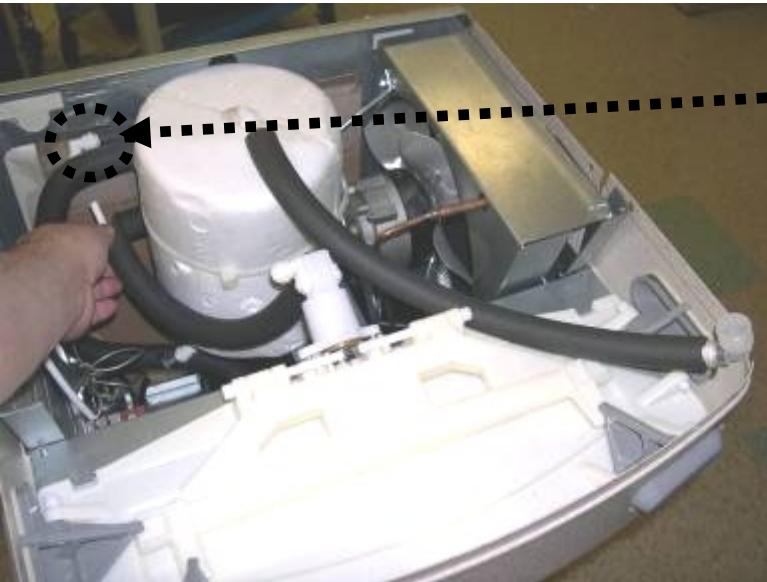
**The water should already be turned OFF and the power disconnected.**

Unit as it appears with top removed



### **STEP 1**

Unplug un-insulated water line from water valve inlet (quick-connect elbow located left side of water valve facing the front of the cooler). Set tubing aside (careful to not contaminate water contact end).



### **STEP 2**

Unplug tubing from quick-connect elbow leading to cooling tank inlet.



### **STEP 3**

Plug un-insulated tubing that was removed in step 1 into quick-connect elbow leading to the cooling tank from step 2.



### **STEP 4**

Unplug tubing that is connected to the water valve outlet (quick-connect elbow located on the right side of valve facing the cooler).



### **STEP 5**

Connect tubing from step 4 to quick-connect elbow on the left side of the valve.





### Step 6

Unplug quick-connect tubing from the cooling tank outlet. Do not set it down.



### Step 7

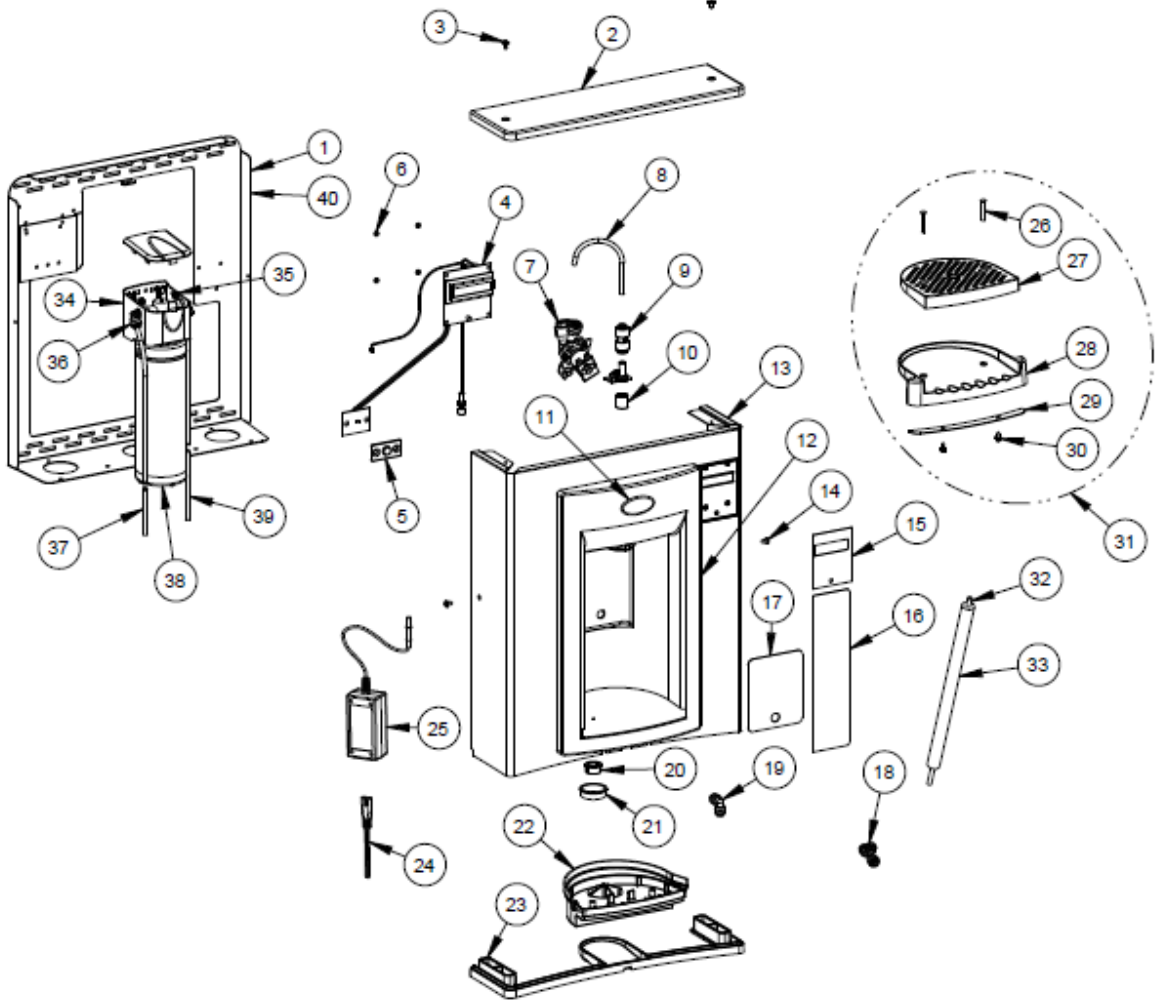
Using tubing removed in step 6, plug into quick-connect elbow on the right side of the valve. (be sure to route the tubing under existing tubing installed in step 4 as shown)



### Step 8

Using tubing that is connected to the quick-connect elbow left side of valve (done in step 4), and plug the other end into the quick-connect fitting at the top of the cooling tank.

# Section 5: Parts Breakdown



ITEM	QTY	P/N	Description
1	1	036687-003	FRAME
2	1	036686-001	CAP, PWSBF
3	2	031875-003	SCREW, TRUSS HD TAPPING TORX
4	1	038026-002	ELECTRONICS ASSY, IR/LCD
5	1	038027-001	LENS, IR BOTTLE FILLER
6	4	026824-026	NUT, HEX NYLON
7	1	038030-002	SOLENOID VALVE 12VDC
8	1	030152-009	TUBE, PE WHITE 7.5"
9	1	028668-101	FTG, PP REDUCING UNION
10	1	038032-001	FLOW NOZZLE
11	1	031434-014	NAMEPLATE, OASIS
12	1	036190-003	ALCOVE, EBF
13	1	036691-007	WRAPPER, PWEBF
14	2	031875-003	SCREW, TRUSS HD TAPPING TORX
15	1	038031-005	LABEL, LCD BEZEL
16	1	038031-007	LABEL, PANEL EBF
17	1	038031-006	LABEL, ALCOVE SENSOR

ITEM	QTY	P/N	Description
18	1	029199-103	FTG, PP UNION TEE WHITE
19	1	028481-101	FTG, PP UNION ELBOW WHITE
20	1	027189-008	BUSHING, SNAP
21	1	027189-001	BUSHING, SNAP
22	1	036191-002	DRAIN, MSBF, SHORT
23	1	036689-001	GASKET, PWSBF
24	1	038168-001	CORD ASSY, DC POWER SUPPLY
25	1	038036-003	POWER SUPPLY,100-240VAC/12VDC
26	2	036049-002	SCREW, OVAL HD PLASTITE
27	1	036695-001	TRAY, GRILLE DRIP
28	1	036688-001	TRAY, DRIP PWSBF
29	1	036697-001	CAP, DRIP TRAY BOTTOM
30	2	026642-023	SCREW, HEX HD TAPPING #8
31	1	036701-001	DRIP TRAY ASSEMBLY
32	1	030152-046-SP	TUBE, PE WHITE 38"
33	1	017681-035-SP	INSULATION, SPONGE TUBE 32"

### For PWFEFB Only

ITEM	QTY	P/N	Description
34	1	041146-001	HEAD ASSY, SINGLE STAGE MANIFOLD
35	2	026642-004	SCREW, HEX HD TAPPING
36	1	029994-103	FTG, PP ELBOW, PLUG IN WHITE
37	1	030152-014-SP	TUBE, PE WHITE 48"
38	1	041145-001	FILTER CARTRIDGE, VERSAFILTER III
39	1	030152-046-SP	TUBE, PE WHITE 38"
40	1	041410-002	FRAME ASSEMBLY

# Section 5: Parts Breakdown

**Accessories:**

**Vandal resistant screw kit:** P/N 036704-001, includes torx bits and replacement screws.

**Gasket, Sunroc/Haws :** P/N 036689-101: (replaces item 2) KIT P/N 036752-001

**Gasket Adapter Elkay/Halsey Taylor** P/N 041114-001

P/N 030099-570 Rev. G Date: 10/2022

© 2022 LVD Acquisition, LLC

Oasis, Aqua Pointe, Versacooler and VersaFiller are registered trademarks of LVD Acquisition, LLC dba Oasis International

Haws is a registered trademark of HAWS Corporation.  
Elkay and Halsey Taylor are registered trademarks owned or licensed by Elkay Sales Inc. and/or its parent Elkay Manufacturing Company



OASIS INTERNATIONAL  
222 East Campus View Blvd.  
Columbus, OH 43235  
614-861-1350  
[www.oasiscoolers.com](http://www.oasiscoolers.com)