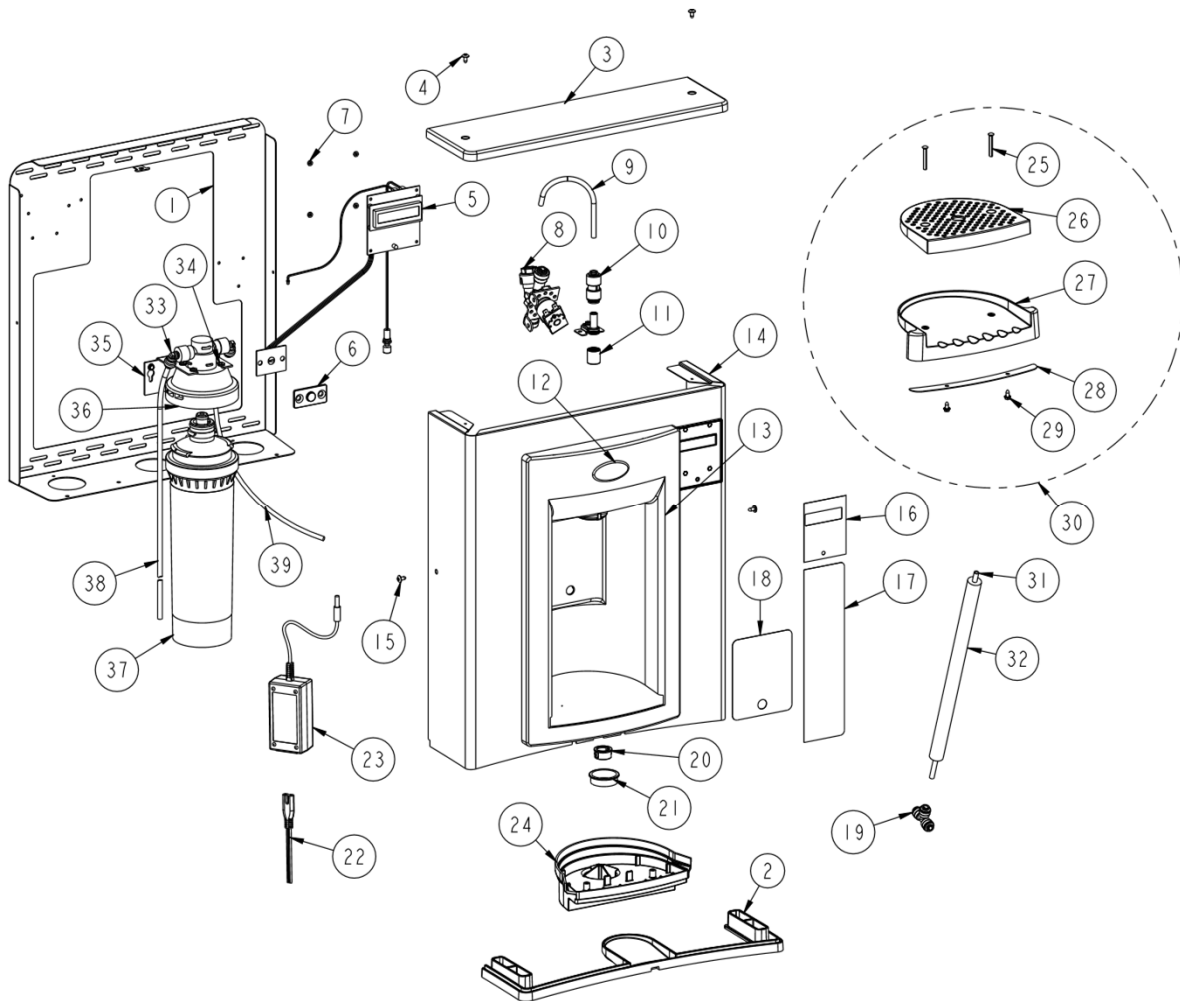


Section 5: Parts Breakdown



ITEM	QTY	P/N	Description	ITEM	QTY	P/N	Description
1	1	036687-003	FRAME, PWFSBF-K12	21	1	027189-001	BUSHING, SNAP
2	1	036689-001	GASKET, PWSBF	22	1	038168-001	CORD ASSY, DC POWER SUPPLY
3	1	036686-001	CAP, PWSBF	23	1	038036-003	POWER SUPPLY,100-240VAC/12VDC
4	2	031875-003	SCREW, TRUSS HD TAPPING TORX	24	1	036191-002	DRAIN, MSBF, SHORT
5	1	038026-002	ELECTRONICS ASSY, IR/LCD	25	2	036049-002	SCREW, OVAL HD PLASTITE
6	1	038027-001	LENS, IR BOTTLE FILLER	26	1	036695-001	TRAY, GRILLE DRIP
7	4	026824-026	NUT, HEX NYLON	27	1	036688-001	TRAY, DRIP PWSBF
8	1	038030-002	SOLENOID VALVE 12VDC	28	1	036697-001	CAP, DRIP TRAY BOTTOM
9	1	030152-009	TUBE, PE WHITE 7.5"	29	2	026642-023	SCREW, HEX HD TAPPING #8
10	1	028668-101	FTG, PP REDUCING UNION	30	1	036701-001	DRIP TRAY ASSEMBLY
11	1	038032-001	FLOW NOZZLE	31	1	030152-046-SP	TUBE, PE WHITE 38"
12	1	031434-014	NAMEPLATE, OASIS	32	1	017681-008-SP	INSULATION, SPONGE TUBE 19"
13	1	036190-003	ALCOVE, EBF	33	1	029994-103	FTG, PP ELBOW, PLUG IN
14	1	036691-007	WRAPPER, PWEBF	34	4	026630-022	SCREW, PAN HD TAPPING
15	2	031875-003	SCREW, TRUSS HD TAPPING TORX	35	1	041073-001	BRKT, VERSAFILTER II
16	1	038031-005	LABEL, LCD BEZEL	36	1	041072-001	FILTER HEAD, VERSAFILTER II
17	1	038031-007	LABEL, PANEL EBF	37	1	041071-001	FILTER CARTRIDGE, VERSAFILTER II
18	1	038031-006	LABEL, ALCOVE SENSOR	38	1	030152-046-SP	TUBE, PE WHITE 38.0"
19	1	029199-103	FTG, PP UNION TEE WHITE	39	1	030152-014	TUBE, PE WHITE 48.0"
20	1	027189-008	BUSHING, SNAP				

Section 5: Parts Breakdown

Accessories:

Vandal resistant screw kit: P/N 036704-001, includes torx bits and replacement screws.

Gasket, Sunroc/Haws : P/N 036689-101: (replaces item 2) KIT P/N 036752-001

Gasket Adapter Elkay/Halsey Taylor P/N 041114-001

P/N 0300999-570 REV E Date: 01/2021

© 2021 LVD Acquisition, LLC

Oasis, Aqua Pointe, Versacooler, VersaFiller and Freshield are registered trademarks of LVD Acquisition, LLC dba Oasis International

Haws is a registered trademark of HAWS Corporation.

Elkay and Halsey Taylor are registered trademarks owned or licensed by Elkay Sales Inc. and/or its parent Elkay Manufacturing Company



OASIS INTERNATIONAL
222 East Campus View Blvd.
Columbus, OH 43235
614-861-1350
www.oasiscoolers.com