

# OASIS® AQUA POINTE® DRINKING FOUNTAIN WITH BOTTLE FILLER INSTRUCTIONS

## 1. INSPECTION

Inspect the cartons and various components for evidence of rough handling and concealed damage. Damage claims should be filed with the carrier.

## 2. MAINTENANCE (Fountains with Cooling Unit)

The only maintenance required is the removal of dirt and lint from the condenser. Inspection should be made at 3 month intervals. Remove the grille and clean the condenser with a vacuum attachment.

## 3. OVERLOAD PROTECTION (Fountains with Cooling Unit)

The compressor motor is equipped with an automatic reset protector which will disconnect the motor from the line in case of overload.

## 4. LUBRICATION (Fountains with Cooling Unit)

This unit is equipped with a hermetically sealed compressor. No additional lubrication is required. The fan motor installed on this unit seldom needs oiling. If required, a few drops of SAE 10 oil should be used.

## 5. TO DISCONTINUE USE OF FOUNTAINS WITH COOLING UNITS

Drain cooler when removed from service: (1) Remove grille, (2) Close supply valve, (3) Provide container to catch water, and remove drain plug, (4) Remove bubbler.

## 6. INSTALLATION, PLUMBING & ELECTRICAL CONNECTIONS

- a) **Note:** The following states require a licensed plumber to install cooler; AR, GA, MA, MI, OK, RI, SC, SD, TX, VT and WI. CA, KS, MN, NM and OR allow for a state-registered installer or contractor as well. State and local plumbing codes may prohibit the use of saddle tapping valves for water line connection in some applications. All connections must conform to applicable plumbing codes.
- b) Plumbing rough-in and wall opening should be prepared as shown on Roughing-in drawing. This drinking water cooler is designed to be operated at a water supply line pressure of up to 100 psi (690 kPa). A pressure regulator must be installed in front of the unit's water inlet if the water pressure (including any possible pressure spikes) could exceed 100 psi (690 kPa).
- c) Insert frame assembly into wall opening and secure to studs. **NOTE: FRONT FLANGE OF FRAME(S) MUST BE FLUSH WITH THE FINISHED WALL SURFACE.**
- d) Models with cooling unit, attach cradle mounting angles to unit mounting cradle with 4 screws provided. Slide unit mounting cradle into frame and secure in place with 4 screws, provided. (Cradle is used only when cooling unit is to be installed.) **NOTE: BOTTOM FLANGE ON CRADLE IS TO BE BEHIND FRAME FRONT FLANGE.**
- e) Slide cooling unit onto cradle.
- f) It is recommended that flexible conduit be used to supply power to cooling unit (and when applicable to electronic bottle filler electrical box in frame). Check electric current available. Type and voltage must be the same as listed on unit data plate. This drinking water cooler is intended to be connected to a 20A minimum ground fault circuit interrupting (GFCI) device to meet UL requirements.
- g) Install provided waste tee to bottle filler tailpiece.
- h) Install the fountain mounting plate to the frame assembly using provided screws.
- i) Prior installing upper panel assembly with electronic bottle filler: This is a good time to change units from gallons (default setting) to liters, if preferred, when program is set as FILTERED unit, slide switch on back of circuit board to side marked "Liter". To ease access to the remote toggle button for programming once the panel assembly and fountain is installed, feed the remote toggle button through the fountain mounting plate noted in step 6h. After unit is completely assembled, refer to the "Set-Up Guide for Oasis® Hands-Free Bottle Filler Electronics" item number 030099-482 to change program settings.
- j) Place upper panel(s) in place on frame top angle and fasten with 2 flat head screws, provided, at the bottom.
- k) Remove bottom plate(s) from fountain arm(s). Save the screws.
- l) Snap reveal gasket(s) over back end(s) of fountain arm(s).
- m) Add compression connector(s), furnished by others, to fountain waste tube(s) and slide back approximately 3" out of way. Use a 3/8 compression fitting for water line connections, provided by others. An internal strainer is provided for water line connection. For dielectric isolation of fountain(s) a non-metallic water line connection can be used.
- n) Hang fountain(s) on mounting plate studs. **NOTE: AS THE FOUNTAIN IS HUNG, FEED THE WASTE TUBE INTO THE WASTE STUB ON THE WALL SIDE.**
- o) Tighten fountain(s) to mounting plate(s) with the 5/16-18 nuts and washers and the 1/4-20 bolts and washers provided.
- p) Complete plumbing to fountain(s) and bottle filler. Tighten waste connection(s) and then connect water supply line(s) with the 3/8 compression fitting. When installing split level models, hang upper fountain first, then connect water tube assembly provided to its water inlet. Hang lower fountain next and connect the tube to its water inlet supply line. For combination units with chillers, hang upper unit first and connect chiller tube, provided, containing tee to fountain water inlet tube with compression fitting, provided, and then to chiller unit water out fitting. Hang lower unit next and connect long connecting tube, provided, to tee and then to fountain with other compression fitting.
- q) Where applicable, secure bottom panel(s) top edge(s) behind frame middle cross member(s) and fasten panel(s) at bottom to frame with flat head screws, provided.
- r) Slide reveal gasket(s) back into notch between panel and arm. The gasket serves as an appearance item only (to close up any opening around panel and mounting plate).
- s) Check plumbing connection for leaks. On new plumbing installations, run water through the bubbler(s) until water taste is satisfactory. Adjust regulator to achieve desired stream height. Add bottom plate(s) back to fountain arm(s).

### WARNING

The warranty and the Underwriters' Laboratory Listing for this machine are automatically voided if this machine is altered, modified, or combined with any other machine or device. Alteration or modification of this machine may cause serious flooding and/or hazardous electrical shock or fire.

EXCEPT AS SET FORTH HEREIN, THE MANUFACTURER MAKES NO OTHER WARRANTY, GUARANTEE OR AGREEMENT EXPRESSED, IMPLIED, OR STATUTORY, INCLUDING ANY IMPLIED WARRANTY OR MERCHANTABILITY OR FITNESS FOR A PARTICULAR PURPOSE.

This appliance is not intended for use by persons (including children) with reduced physical sensory or mental capabilities or who lack the experience and knowledge, unless they have been given the supervision or instruction concerning use of the appliance by a person responsible for their safety. Children should be supervised to ensure they don't play with the appliance.



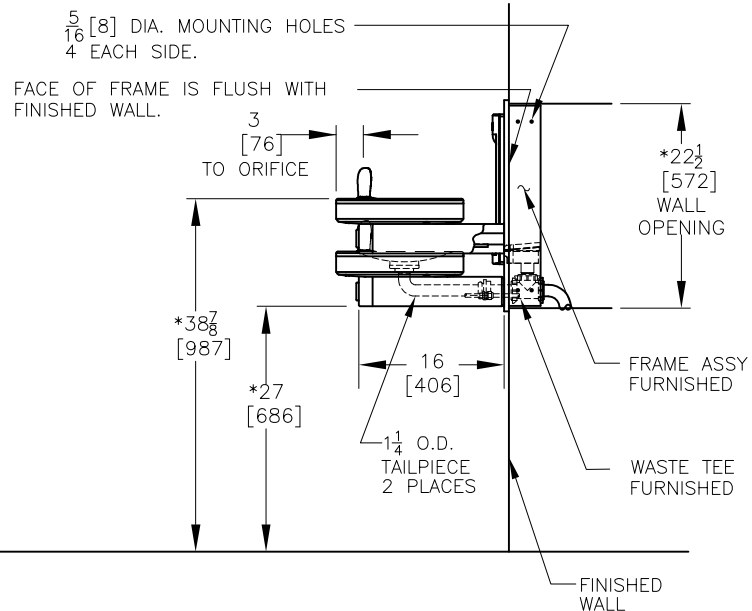
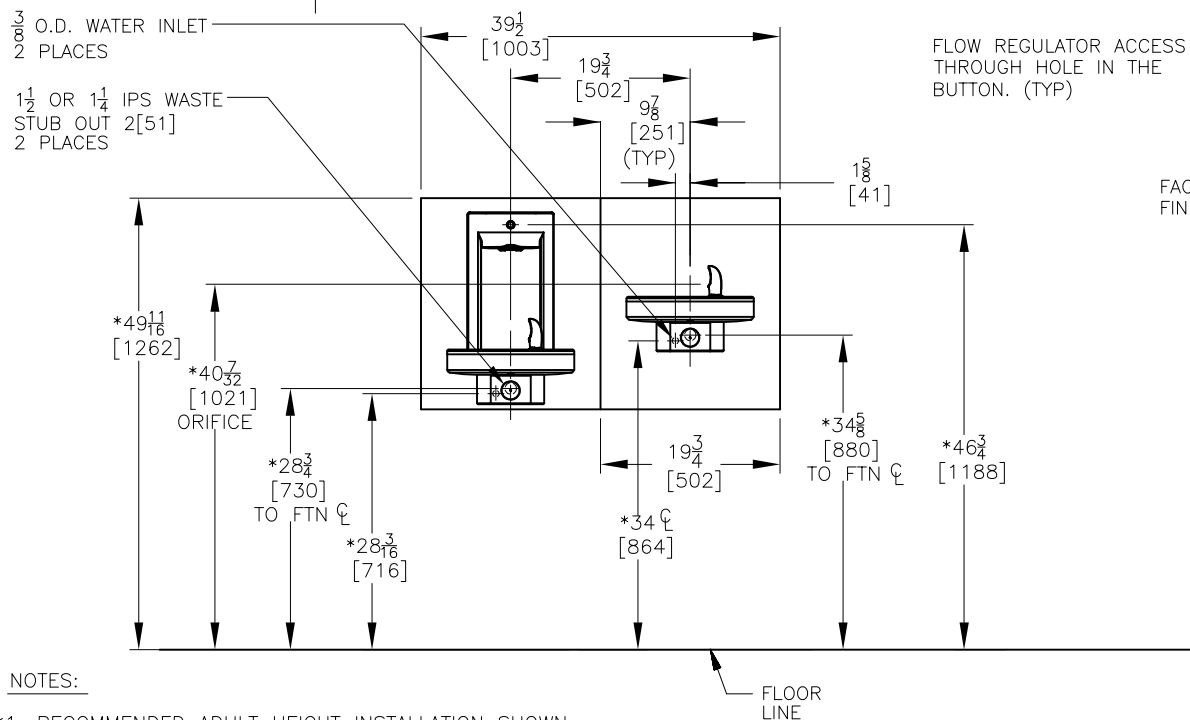
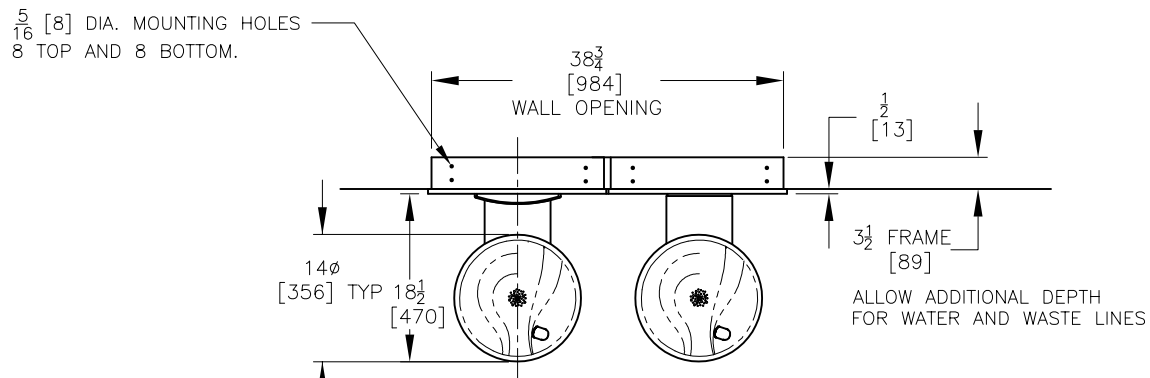
OASIS INTERNATIONAL

222 East Campus View Blvd. • Columbus, OH 43235 U.S.A.

1-800-950-3226

[www.oasiscoolers.com](http://www.oasiscoolers.com)

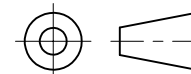
# OASIS<sup>®</sup> RADII<sup>™</sup> MODULAR SPLIT LEVEL FOUNTAIN WITH BOTTLE FILLER MODEL MMRSLSBF



**NOTES:**

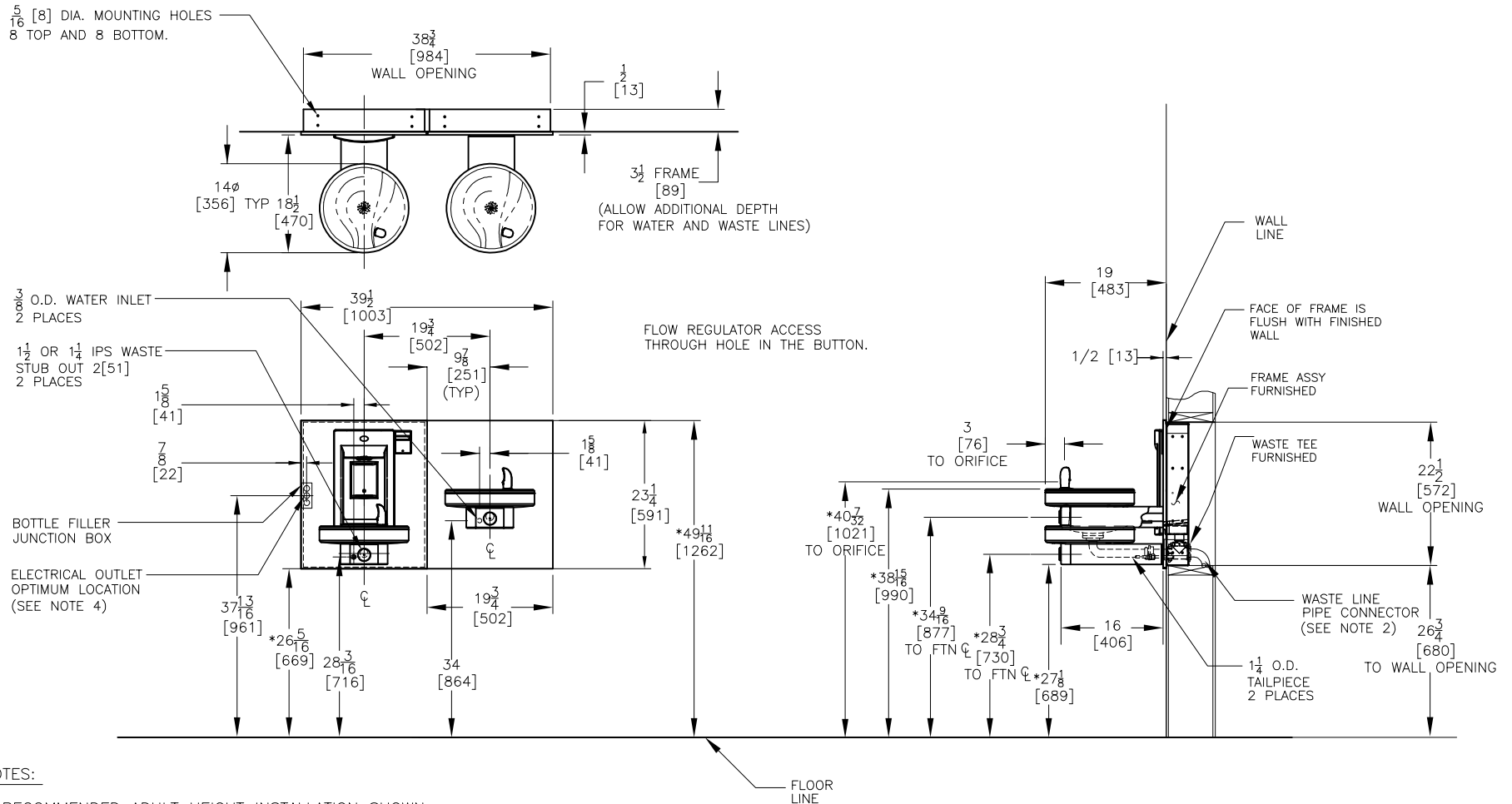
- \*1. RECOMMENDED ADULT HEIGHT INSTALLATION SHOWN. ADJUST VERTICAL DIMENSIONS AS REQUIRED TO COMPLY WITH FEDERAL, STATE AND LOCAL CODES.
2. STOP VALVE, TRAP, PIPE CONNECTOR TO WASTE LINE NOT PROVIDED.
3. ALL DIMENSIONS ARE IN INCHES. DIMENSIONS IN BRACKETS [ ] ARE IN MILLIMETERS.

THIRD ANGLE PROJECTION



ROUGHING-IN AND DIMENSIONAL DRAWING

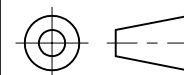
# OASIS® RADII™ MODULAR SPLIT LEVEL FOUNTAIN WITH VersaFiller® HANDS FREE BOTTLE FILLER MODEL MMR5LEBF



**NOTES:**

- \*1. RECOMMENDED ADULT HEIGHT INSTALLATION SHOWN. ADJUST VERTICAL DIMENSIONS AS REQUIRED TO COMPLY WITH FEDERAL, STATE AND LOCAL CODES.
2. STOP VALVE, TRAP, PIPE CONNECTOR TO WASTE LINE NOT PROVIDED.
3. ALL DIMENSIONS ARE IN INCHES. DIMENSIONS IN BRACKETS [ ] ARE IN MILLIMETERS.
4. 115V GROUNDING NORTH AMERICAN DUPLEX RECEPTACLE REQUIRED. THIS DRINKING WATER COOLER IS INTENDED TO BE CONNECTED TO A 20A MINIMUM GROUND FAULT CIRCUIT INTERRUPTING (GFCI) DEVICE TO MEET UL REQUIREMENTS.

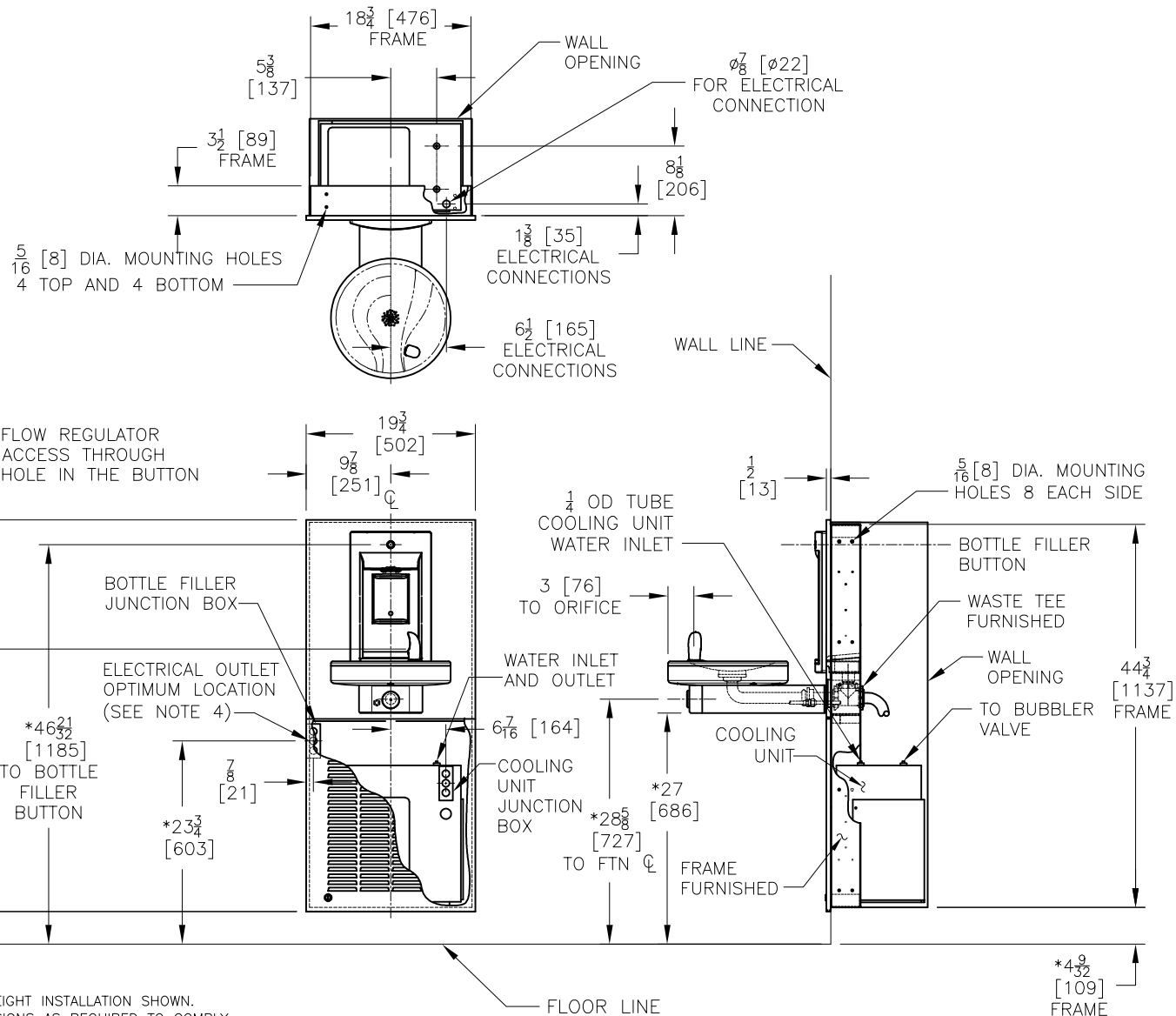
THIRD ANGLE PROJECTION



ROUGHING-IN  
AND  
DIMENSIONAL DRAWING

# OASIS® MODULAR RADII™ FOUNTAIN WITH SPORTS BOTTLE FILLER

## MODELS MWRSBF, M8WRSBF, M12WRSBF



**NOTES:**

- \*1. RECOMMENDED ADULT HEIGHT INSTALLATION SHOWN. ADJUST VERTICAL DIMENSIONS AS REQUIRED TO COMPLY WITH FEDERAL, STATE AND LOCAL CODES.
- 2. STOP VALVE, TRAP, PIPE CONNECTOR TO WASTE LINE NOT PROVIDED. SHORT RADIUS TRAP REQUIRED.
- 3. ALL DIMENSIONS ARE IN INCHES. DIMENSIONS IN BRACKETS [ ] ARE IN MILLIMETERS.
- 4. 115V GROUNDING NORTH AMERICAN DUPLEX RECEPTACLE REQUIRED. THIS DRINKING WATER COOLER IS INTENDED TO BE CONNECTED TO A 20A MINIMUM GROUND FAULT CIRCUIT INTERRUPTING (GFCI) DEVICE TO MEET UL REQUIREMENTS.

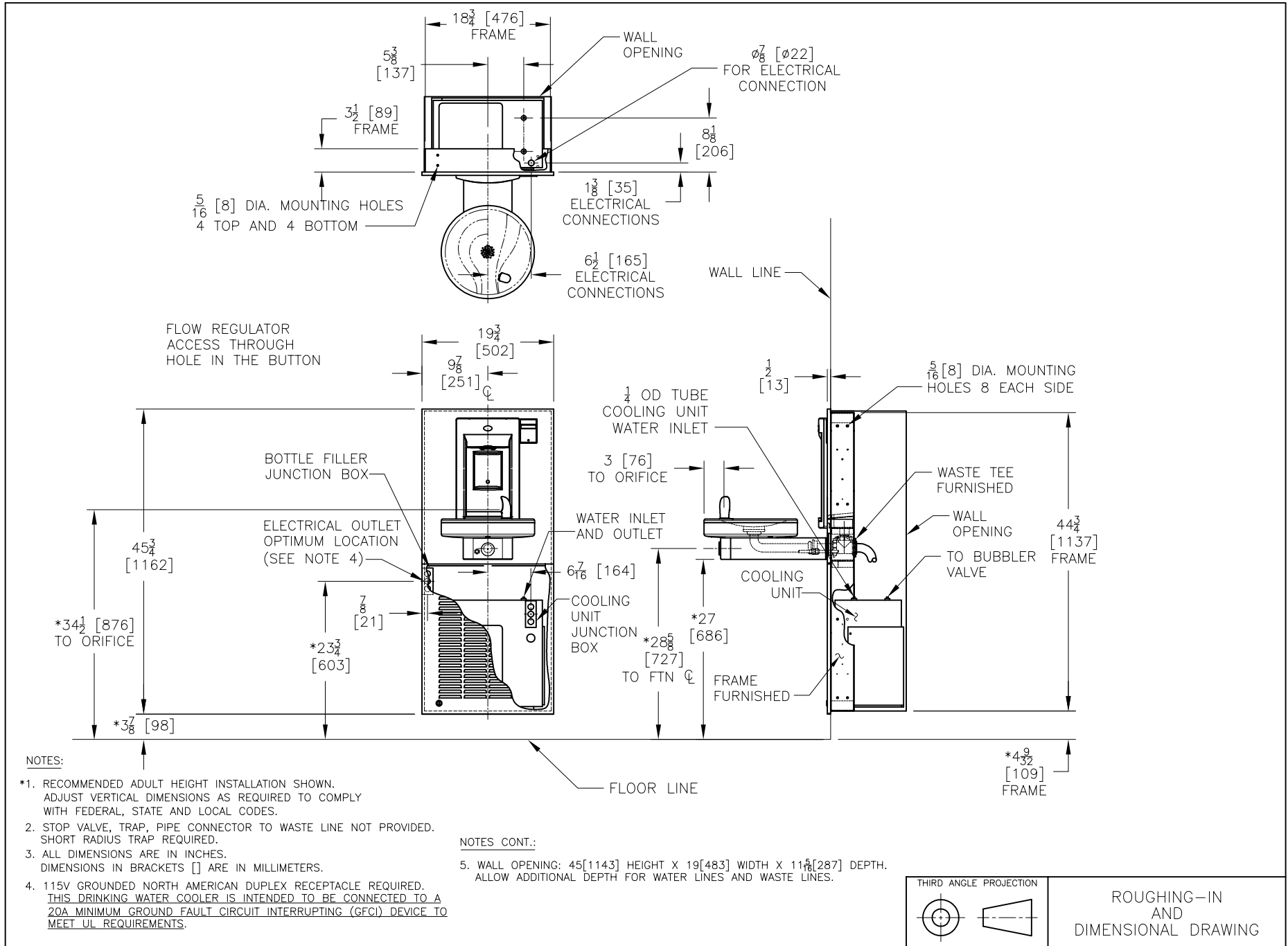
**NOTES CONT.:**

- 5. WALL OPENING: 45[1143] HEIGHT X 19[483] WIDTH X 11 5/16[287] DEPTH. ALLOW ADDITIONAL DEPTH FOR WATER LINES AND WASTE LINES.

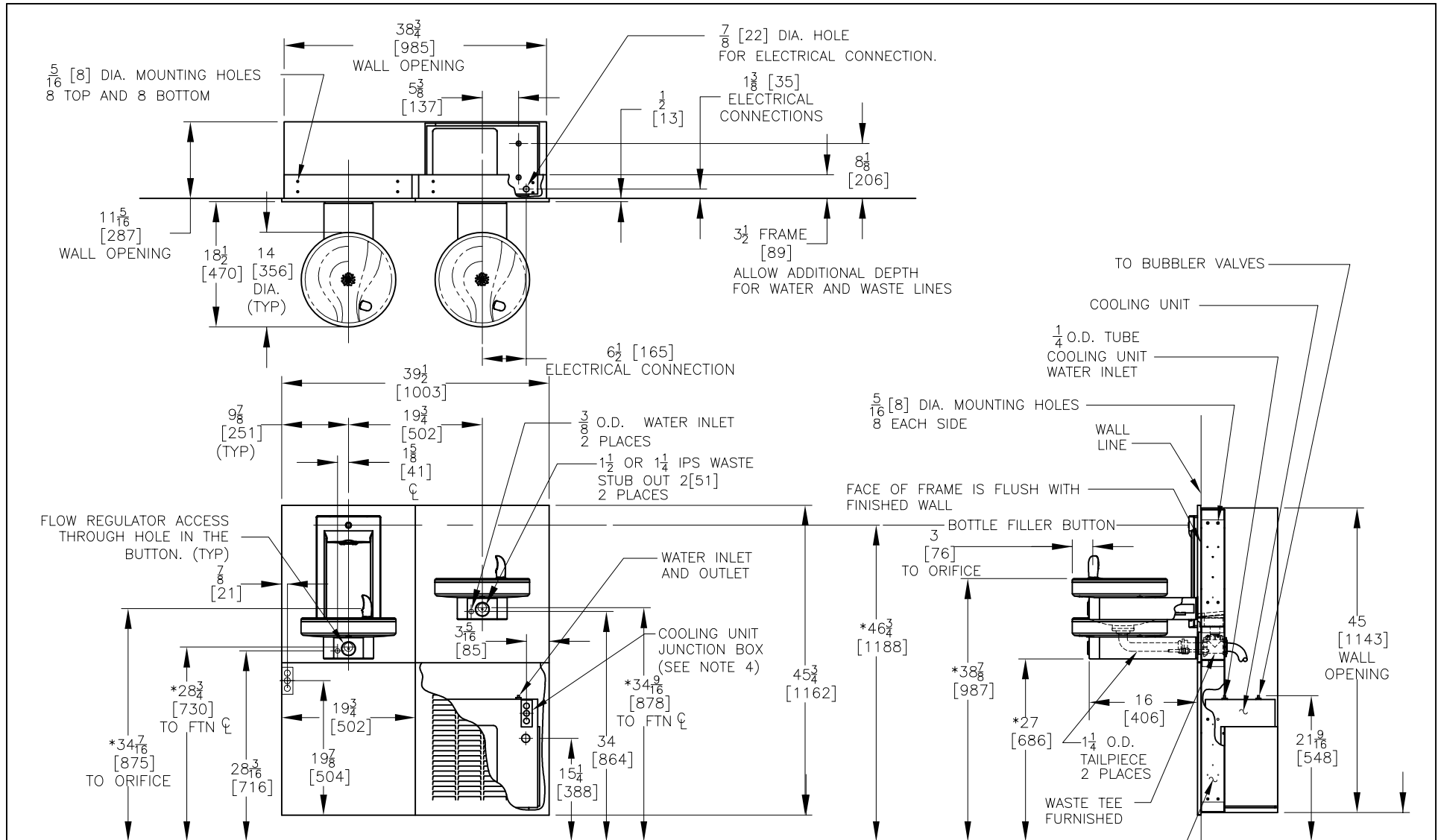
<p>THIRD ANGLE PROJECTION</p>	<p>ROUGHING-IN AND DIMENSIONAL DRAWING</p>
-------------------------------	--

# OASIS® MODULAR RADII™ FOUNTAIN WITH SPORTS BOTTLE FILLER

## MODELS MWREBF, M8WREBF, M12WREBF

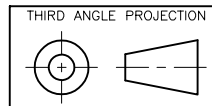


# OASIS® RADII™ MODULAR SPLIT LEVEL FOUNTAIN WITH VersaFiller® BOTTLE FILLER MODEL M8CRSBF



**NOTES:**

- \*1. RECOMMENDED ADULT HEIGHT INSTALLATION SHOWN. ADJUST VERTICAL DIMENSIONS AS REQUIRED TO COMPLY WITH FEDERAL, STATE AND LOCAL CODES.
2. STOP VALVE, TRAP, PIPE CONNECTOR TO WASTE LINE NOT PROVIDED.
3. ALL DIMENSIONS ARE IN INCHES. DIMENSIONS IN BRACKETS [ ] ARE IN MILLIMETERS.
4. 115V GROUNDING NORTH AMERICAN DUPLEX RECEPTACLE REQUIRED. THIS DRINKING WATER COOLER IS INTENDED TO BE CONNECTED TO A 20A MINIMUM GROUND FAULT CIRCUIT INTERRUPTING (GFCI) DEVICE TO MEET UL REQUIREMENTS.



ROUGHING-IN  
AND  
DIMENSIONAL DRAWING

