



Illustrated Parts Breakdown



Specifications:

Model MIR311D, MIR301D, BY1171NHKB

Voltage	115VAC, $\pm 10\%$, 1 PH, 60 Hz
Size	41" H, 12-1/2" W, 13-1/2" D
Shipping Weight	40 lbs.

Compressor	1/20 hp
Compressor (Full Load)	5.5 amps
Refrigerant	134a
Refrigerant Charge	1.25 oz.

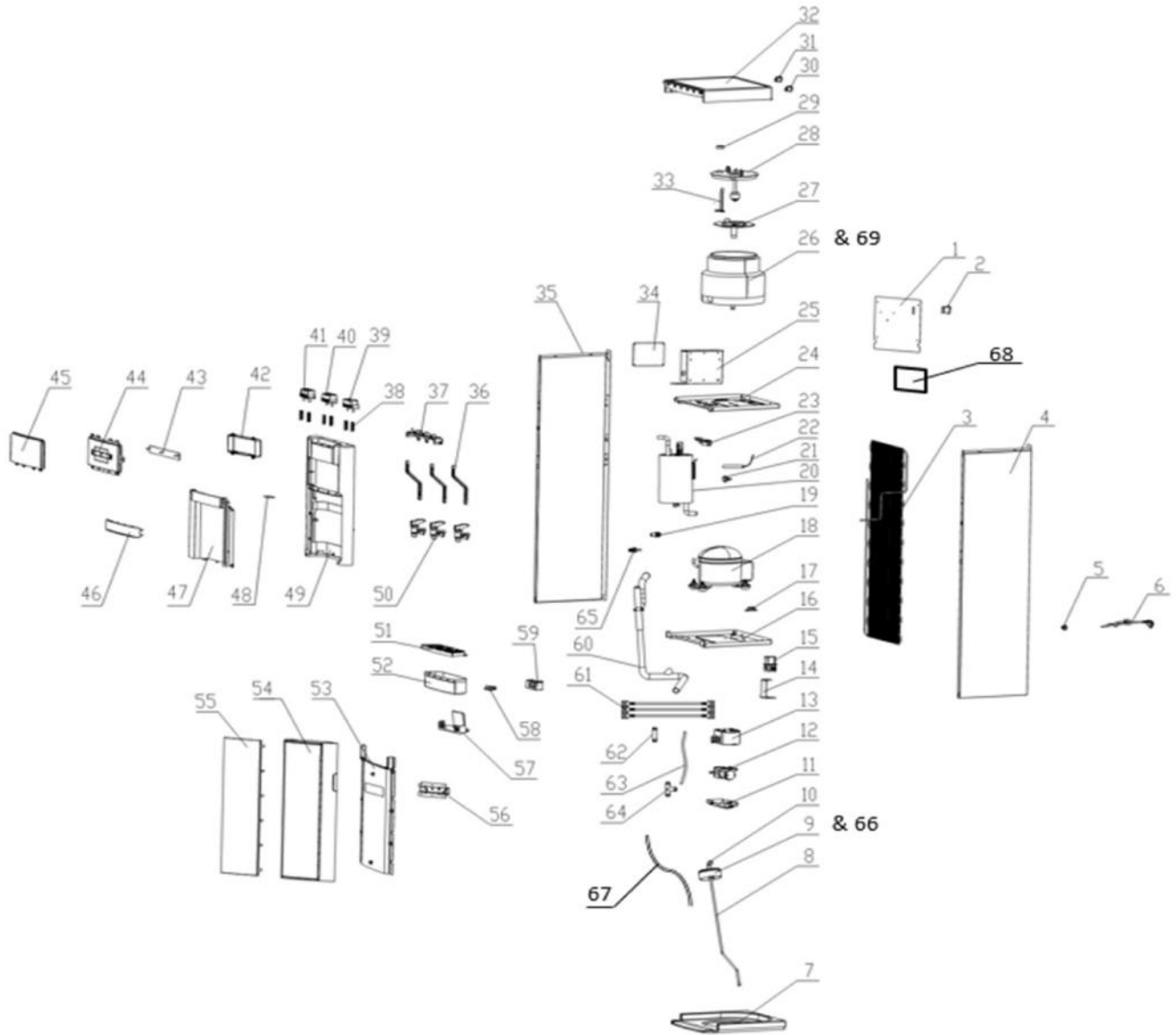
Model MIR311DY, MIR301DY, BY1171NHKBY

Voltage	220-240VAC, $\pm 10\%$, 1 PH, 50/60 Hz
Size	41" H, 12-1/2" W, 13-1/2" D
Shipping Weight	40 lbs.

Compressor	1/20 hp
Compressor (Full Load)	2.4 amps
Refrigerant	134a
Refrigerant Charge	1.25 oz.

Specifications subject to change without notice.

Model MIR311D, MIR301D, BY1171NHKB



Parts List

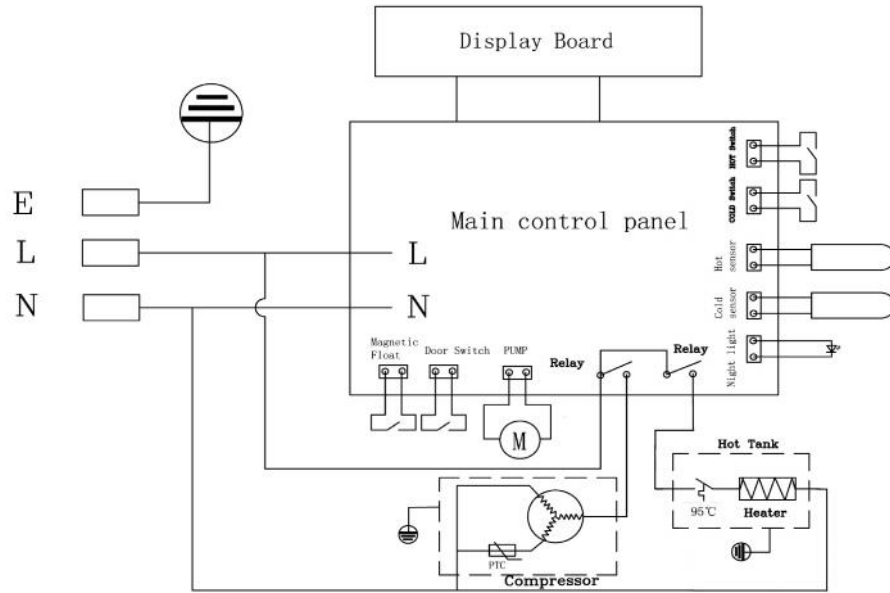
Item #	Description	MIR311D-3 (BIK) & BY1171NHKB	
		115V	230V
1	Rear Panel	038700-001	038700-001
2	Water Supply Switch	038701-001	038701-001
3	Condensor	038702-001	038702-001
4	Side Panel, Right	038149-001	038149-001
5	Clip, Power cord	038703-001	038703-001
6	Power Cord	038704-001	038704-001
7	Base	038697-001	038697-001
8	Siphon Tube,SST	038135-001	038135-001
9	Siphon Cap	"	"
10	1/4' Fitting	"	"
11	Pump Box cover	038705-001	038705-001
12	Pump	038137-001	038137-001
13	Pump Box	038706-001	038706-001
14	Solenoid Support	038707-001	038707-001
15	Solenoid	038138-001	038138-001
16	Middle shelf	038708-001	038708-001
17	----		
18	Compressor assy	036912-001	038800-001
19	Drain assy	038144-001	038144-001
20	Hot Tank assy, SST	038710-001	038749-001
21	Hot Thermostat / Limiter	038711-001	038711-001
22	Hot Sensor, NTC	038712-001	038712-001
23	Hot Tank support	038713-001	038713-001
24	Reservior shelf	038714-001	038714-001
25	PCB Box	038715-001	038715-001
26	Reservior Assy	038716-001	038716-001
27	Baffle	038699-001	038699-001
28	Float assy	038140-001	038140-001
29	Vent cap	038717-001	038717-001
30	Hot Switch	038718-001	038718-001
31	Cold Switch	038719-001	038719-001
32	Top Panel	038720-001	038720-001
33	Baffle Post	038721-001	038721-001
34	PCB Assy.	038139-001	038750-001
35	Side Panel,Left	038148-001	038148-001
36	Connecting rod, faucet	038722-001	038722-001
37	Faucet Support	038723-001	038723-001
38	Spring, Faucet	038724-001	038724-001
39	Cold button	038725-001	038725-001
40	Warm Button	038726-001	038726-001
41	Hot safety Button	038727-001	038727-001
42	Indicator board box	038728-001	038728-001
43	Indicator board assy	038729-001	038729-001
44	Indicator film	038730-001	038730-001
45	Indicator window,transparent	038731-001	038731-001
46	SST Trim	038732-001	038732-001

Parts List

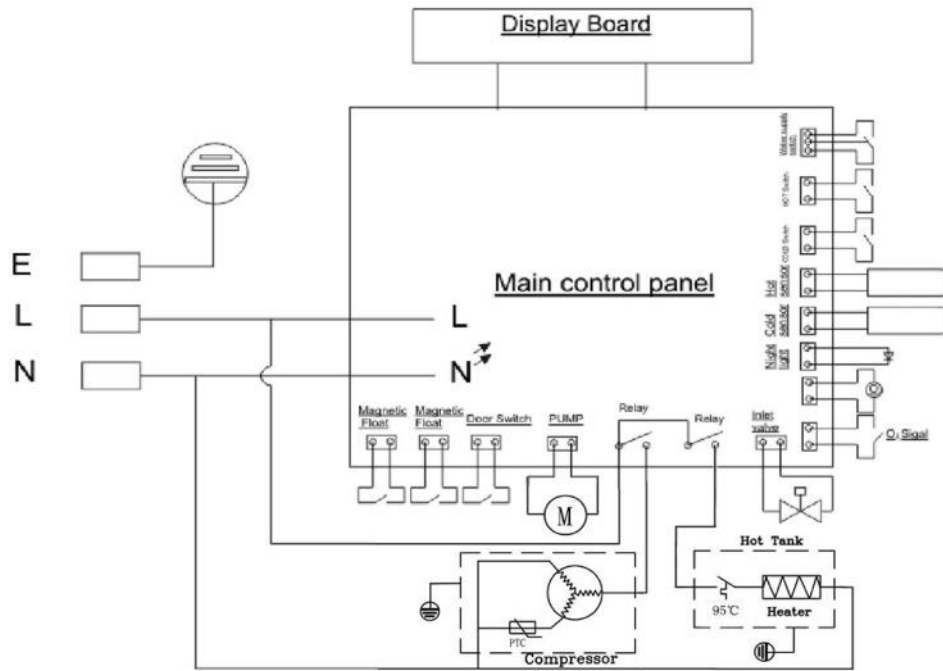
Item #	Description	MIR311D-3 (BIK) & BY1171NHKB	
		115V	230V
47	Front Cover Chassis	038733-001	038733-001
48	Night Light	038734-001	038734-001
49	Front Panel	038698-001	038698-001
50	Faucet	038735-001	038735-001
51	Drip tray grill	038134-001	038134-001
52	Drip tray	038133-001	038133-001
53	Inner, Door Panel	038736-001	038736-001
54	Door Panel	038737-001	038737-001
55	SST Door	038738-001	038738-001
56	Filter bracket	038739-001	038739-001
57	Support, Siphon tube	038740-001	038740-001
58	Door Switch	038741-001	038741-001
59	Door Switch Box	038742-001	038742-001
60	Water way assy	038743-001	038743-001
61	Inner cable set	038744-001	----
62	1/4' check vavle	038745-001	038745-001
63	1/4' PE tube	038746-001	038746-001
64	1/4' T type fitting	038747-001	038747-001
65	1/4' inlet fitting	038748-001	038748-001
66	Recirc Siphon Cap, o3	038776-001	038776-001
67	Recirc Tube Assy, o3	038777-001	038777-001
68	Ozone Module Assy, o3	038207-001	038207-001
69	Cooling Tank Recirc, o3	038778-001	038778-001
Items Not Shown:			
	Relay, Compressor	036910-001	038798-001
	O/L, Compressor	036911-001	038799-001

Wiring Diagram:

MIR311D-3, MIR301D-3



BY1171NHKB



OASIS International

222 East Campus View Blvd · Columbus, Ohio 43235 U.S.A.
 1-800-64-OASIS (1-800-646-2747)
 www.oasiscoolers.com