

Illustrated Parts Breakdown

M8CREBF, M12CREBF



SPECIFICATIONS

Voltage: 115VAC, 60 Hz

Shipping Weight:

M8CREBF: 149 lbs

M12CREBF: 153 lbs

Cold Water Capacity:

M8CREBF: 8 GPH

M12CREBF: 12 GPH

Compressor: 1/5 HP

Compressor (Full Load):

M8CREBF: 4.6 amps

M12CREBF: 8.7 amps

Refrigerant Type: R134a

Refrigerant Charge:

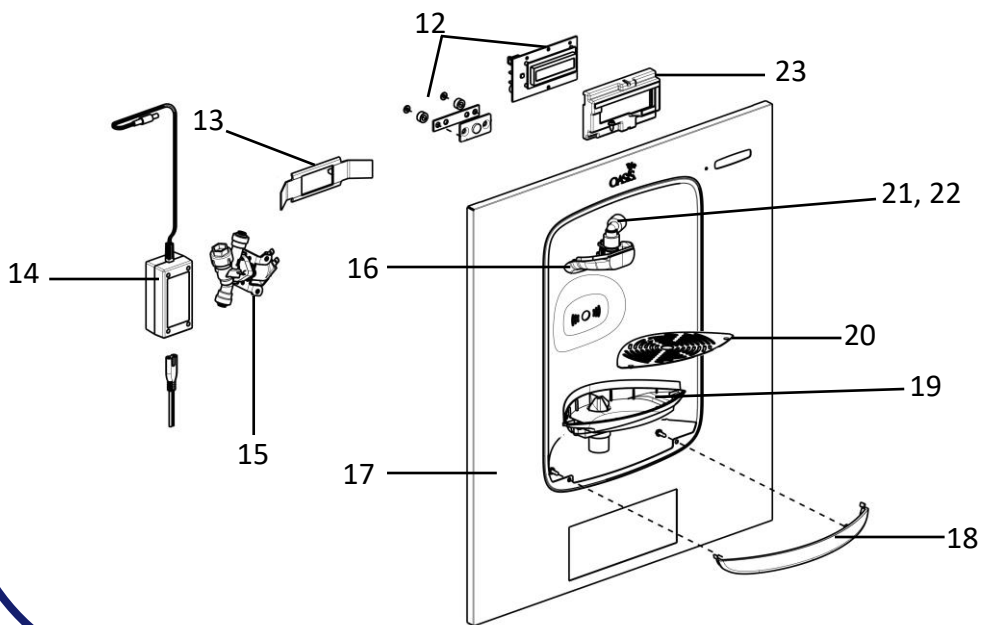
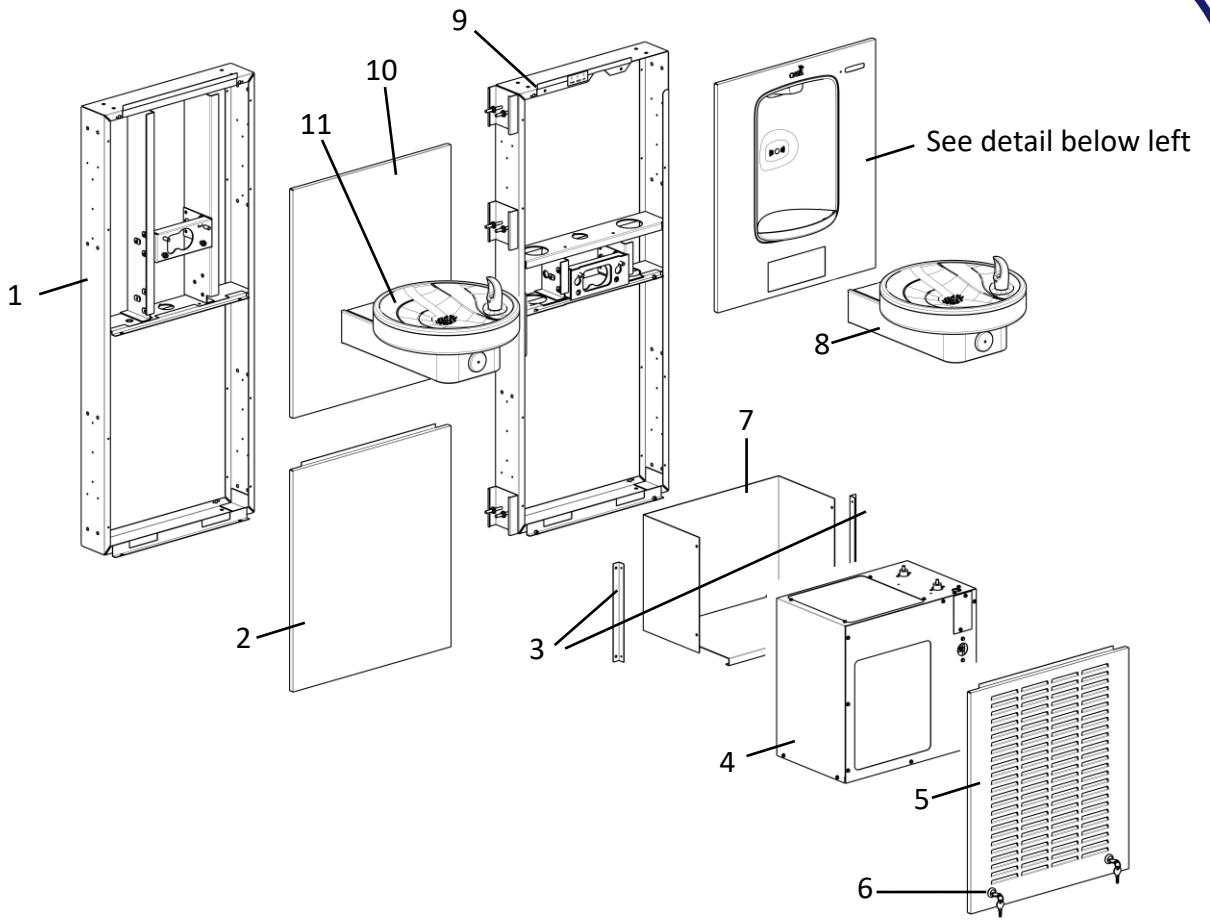
M8CREBF: 6.75 oz

M12CREBF: 6.9 oz

Ratings: Room Temperature 90°F, Supply Water Temperature 80°F, Drinking Water Temperature 50°F

Specifications subject to change without notice

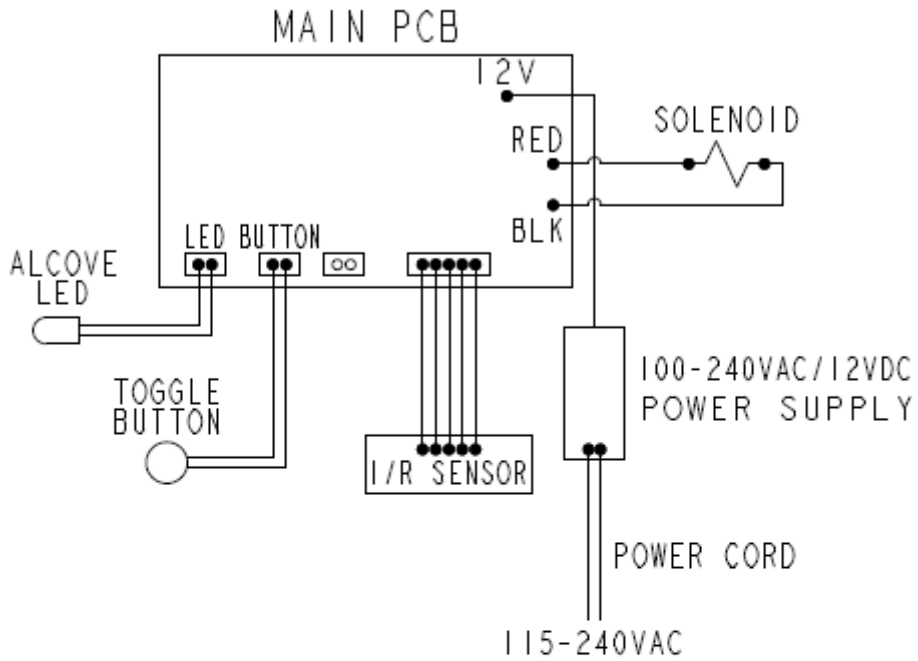
Exploded View



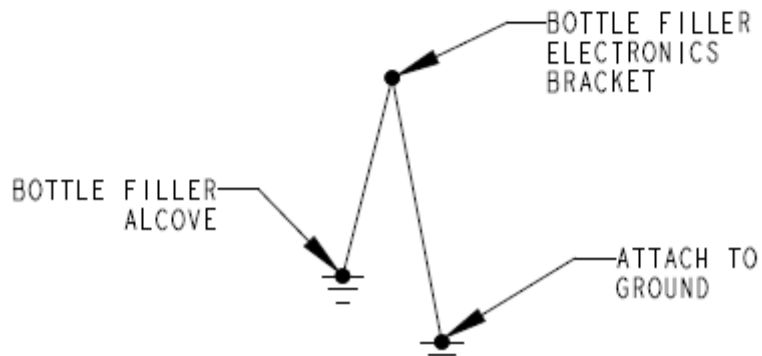
Parts Listing

<u>Item</u>	<u>Description</u>	<u>Part#</u>
1	Frame for fountain side.....	027730-027
2	Bottom panel, non-louvered.....	027697-007
3	Angle, cradle mounting.....	026210 (2 req)
4	R8 chiller.....	See form 2354
5	Lower panel, louvered.....	027697-005
6	Lockset.....	031657-004
7	Cradle, chiller mounting.....	025733
8	F140R fountain.....	see form 6059
9	Frame for bottle filler side.....	027730W020
10	Top panel, fountain.....	027624-502
11	F140R fountain.....	see form 6059
12	Main Circuit Board.....	038026-005
13	Bracket, Sensor.....	041405-003-SP
14	Power Supply.....	038036-003
	Cord.....	038168-001
15	Solenoid.....	041517-003
16	Spout.....	042369-001
17	Alcove.....	041405-001-SP
18	Front Cover.....	042370-001
19	Grille, Drip Tray.....	042374-001
20	Drip Tray.....	042372-001
21	Elbow Ftg, Reducing 3/8 x 1/4.....	029962-103
22	Flow Nozzle.....	038032-001
23	Bracket, PCB Mounting.....	041405-002-SP

Wiring Diagram:



CABINET GROUNDING



OASIS International
222 E Campus View Blvd • Columbus OH 43230
800.646.2747

www.oasiscoolers.com

© 2024 OASIS International