



Illustrated Parts Breakdown



Specifications:

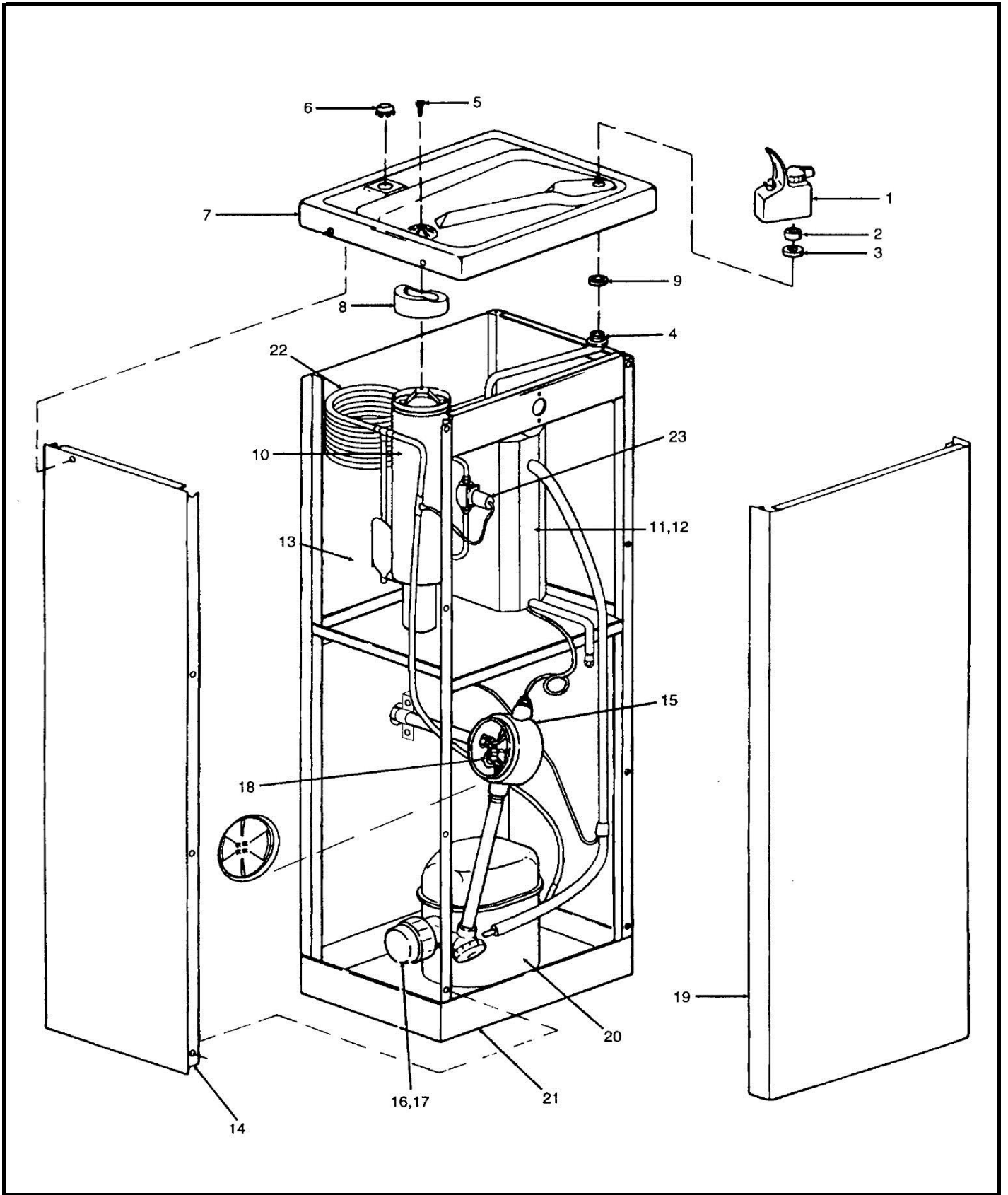
Model P16FAWHDCP-101

Voltage	115VAC, $\pm 10\%$, 1 PH, 60 Hz
Size	43 7/8" H, 17" W, 14" D
Shipping Weight	97 lbs.
Cold Water Capacity	15.5 GPH
Compressor	1/5
Compressor (Full Load)	5.5 amps
Refrigerant	134a
Refrigerant Charge	4.9 oz.

* Industry Standard Rating Conditions:

Room Temperature 90°F; Supply Water Temperature 80°F;
Drinking Water Temperature 50°F

Specifications subject to change without notice.

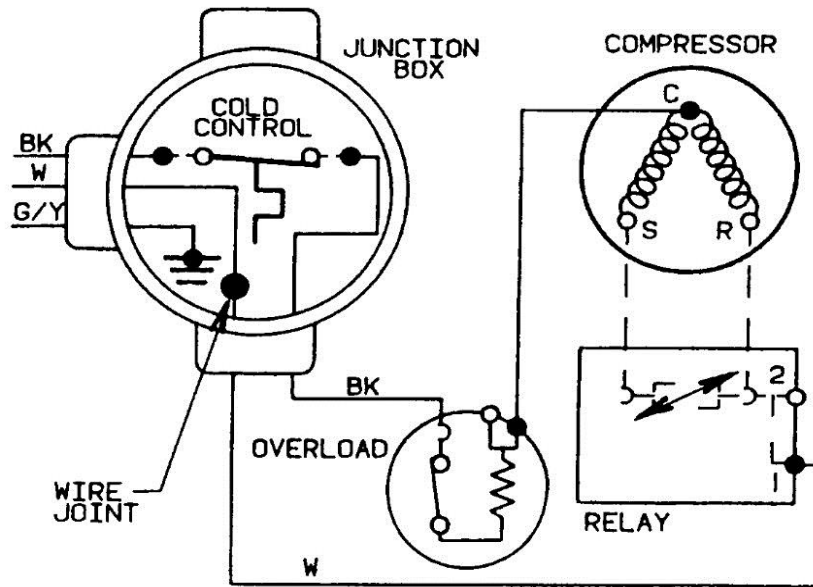


Parts List

Item #	Description	P16FAWHDCP-101
1	12000A Bubbler Valve	030774-006
2	Valve Body Gasket	028706-006
3	Friction Washer	028706-013
4	Bubbler Spud	028701-002
5	Drain Screw	026655-002
6	Hole Cover	016994
7	Top	028965-004
8	Waste Gasket	018050
9	Gasket (Under Top)	028706-001
10	Precooler Assembly, Insulated	026406-007-SP
11	Cooling Tank Assy, Insulated	031703-015
12	Cooling Tank Insulation, RH	028660-001
	Cooling Tank Insulation, LH	028661-001
13	Panel, Rear	018384-003
14	Panel, Side, Stainless	019403-005
15	Junction Box	26417
16	Relay	038643-001
17	Overload	038644-001
18	Cold Control & Bushing Assembly	026512-SP
19	Front Panel, Stainless	018385-003
20	Compressor/Wiring Harness Assembly	025908-014
21	Base	036021-002
22	Condenser Assembly	027045-005-SP
Parts Not Shown		
	Drier, Refrigerant	034343-003
	Insert, Nameplate	020850

Wiring Diagram

P16FAWHDCP-101



● - TERMINATION POINT

OASIS International

222 East Campus View Blvd · Columbus, Ohio 43235 U.S.A.
1-800-64-OASIS (1-800-646-2747)
www.oasiscoolers.com