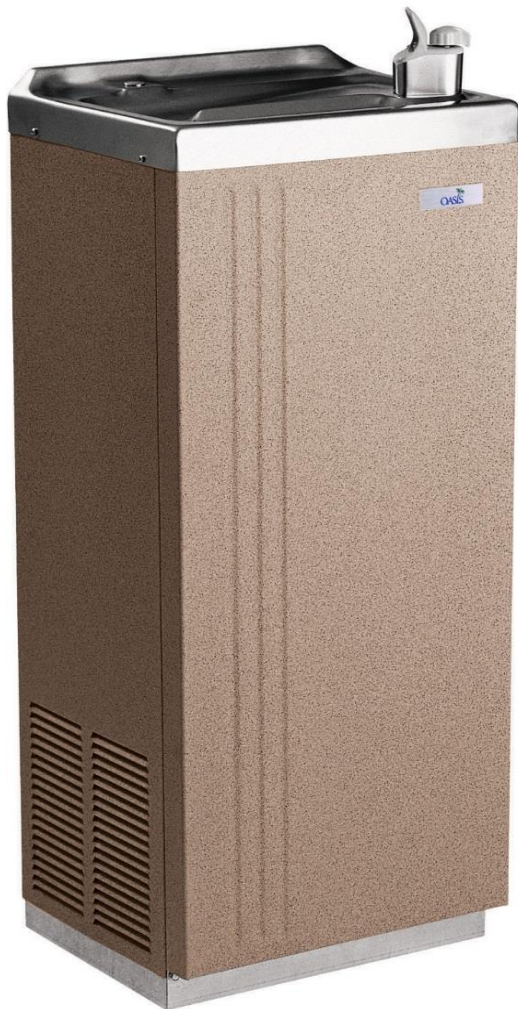




Illustrated Parts Breakdown



Specifications:

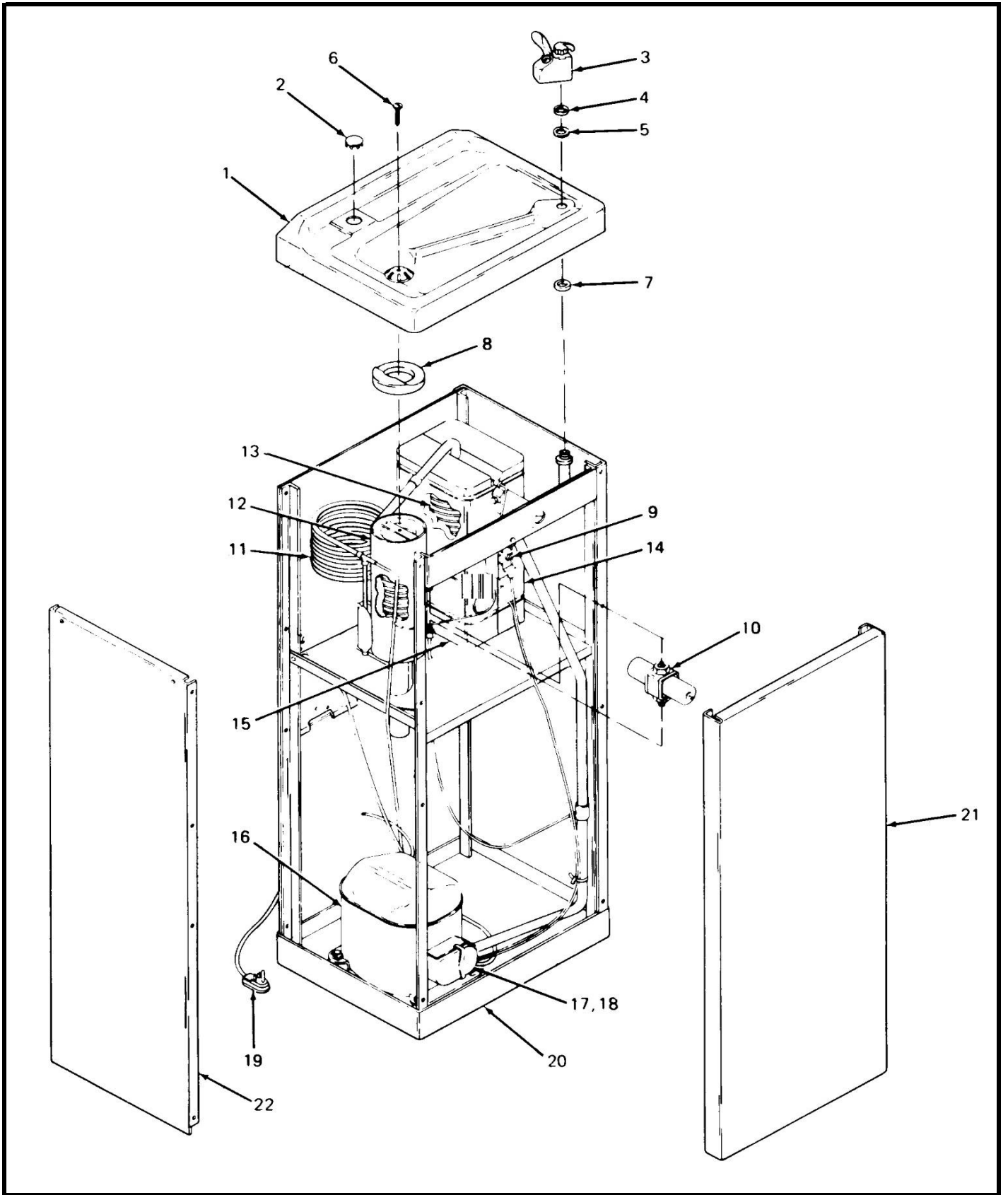
Model PLF16FAW-D100

Voltage	115VAC, $\pm 10\%$, 1 PH, 60 Hz
Size	43 7/8" H, 17" W, 14" D
Shipping Weight	97 lbs.
Cold Water Capacity	15.5 GPH
Compressor	1/3 hp
Compressor (Full Load)	5.2 amps
Refrigerant	134a
Refrigerant Charge	4.32 oz.

* Industry Standard Rating Conditions:

Room Temperature 90°F; Supply Water Temperature 80°F;
Drinking Water Temperature 50°F

Specifications subject to change without notice.

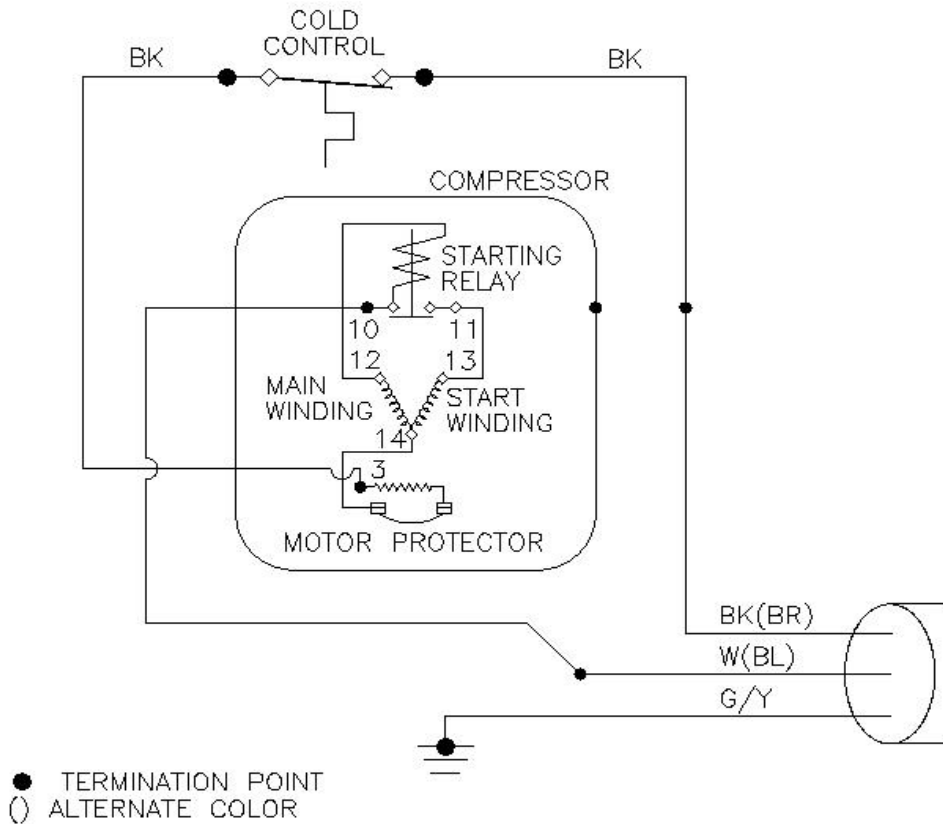


Parts List

Item #	Description	PLF16FAW-D100
1	Top	028965-004
2	Hole Cover	016994
3	12000A Bubbler Valve	030774-006
4	Valve Body Gasket	028706-006
5	Friction Washer	028706-013
6	Drain Screw	026655-002
7	Gasket (Under Top)	028706-001
8	Waste Gasket	018050
9	Cold Control	027040-007
10	Condenser Water Valve	026039-001
11	Condenser Assembly	027045-004
12	Precooler Assembly, Insulated	026406-005-SP
13	Insulated Cooling Tank Assembly	031703-009
14	Cooling Tank Insulation, RH	028660-001
15	Cooling Tank Insulation, LH	028661-001
16	Compressor Assembly	033425-005
17	Relay/Overload	032836-008
18	Starting Capacitor	027956-004
19	Service Cord	026540-046
20	Base Assembly	033969-001
21	Front Panel, Sandstone	018385-011
22	Side Panel, Sandstone	019403-013
Parts Not Shown		
	Drier, Refrigerant	034343-003
	Insert, Nameplate	020850

Wiring Diagram

PLF16FAW-D100



OASIS International

222 East Campus View Blvd · Columbus, Ohio 43235 U.S.A.
1-800-64-OASIS (1-800-646-2747)
www.oasiscoolers.com