



# Illustrated Parts Breakdown

Models: **R8-D300**

**RWCD8-D300**

**R12-D300**

**RWCD12-D300**



### SPECIFICATIONS:

#### **Model: R8-D300, RWCD8-D300**

Voltage	115VAC±10%/1 PH/60 Hertz
Size	16 1/2"H, 16 1/2"W, 10 3/4"D
Shipping Weight (Approx)	49 lbs.
Cold Water Capacity*	8 GPH
Compressor	1/4 hp
Compressor (Full Load)	4.8 amps
Refrigerant	134a
Refrigerant Charge	6.8 oz

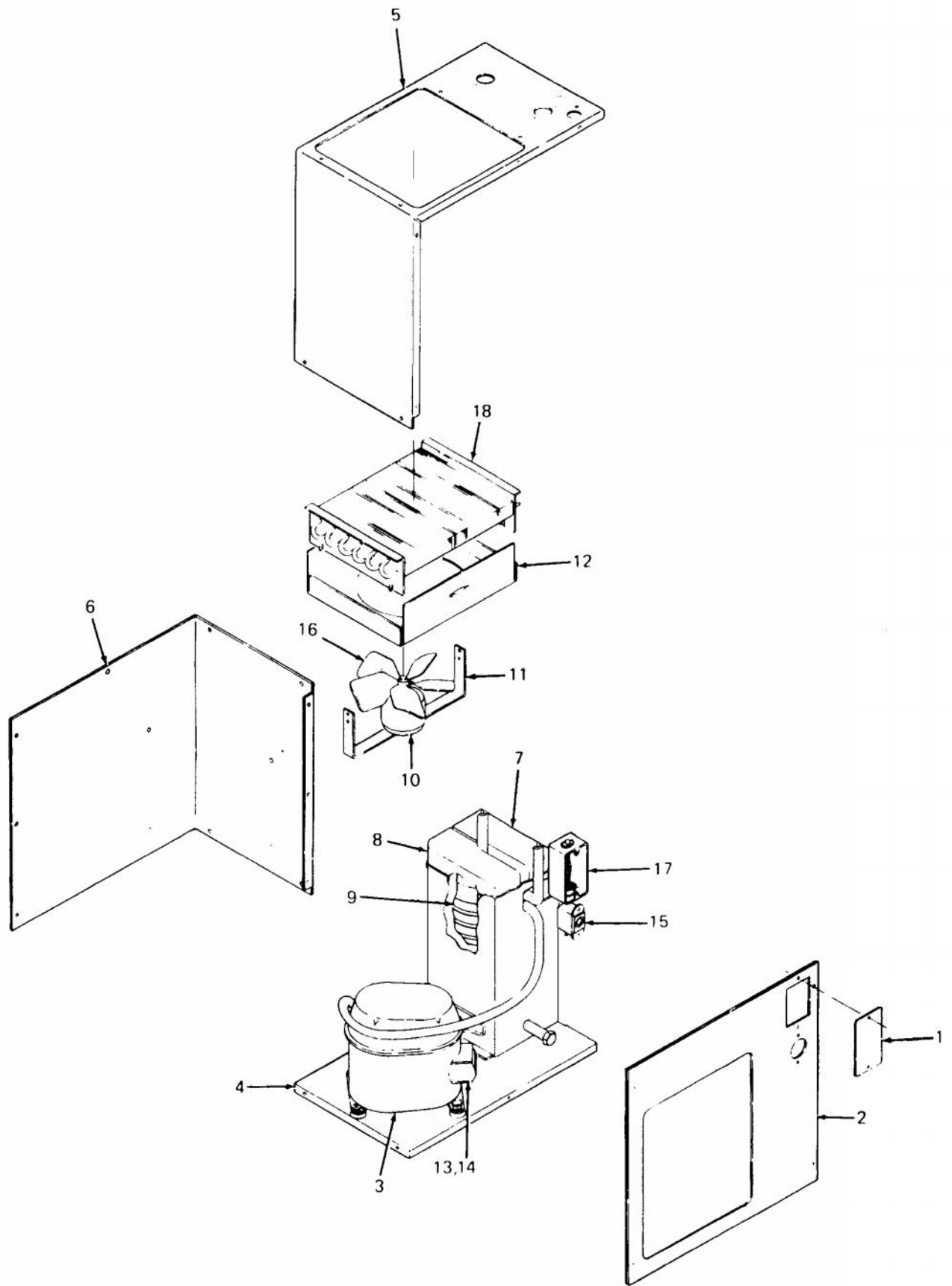
### SPECIFICATIONS:

#### **Model: R12-D300, RWCD12-D300**

Voltage	115VAC±10%/1 PH/60 Hertz
Size	16 1/2"H, 16 1/2"W, 10 3/4"D
Shipping Weight (Approx)	52 lbs.
Cold Water Capacity*	12 GPH
Compressor	1/3 hp
Compressor (Full Load)	5.4 amps
Refrigerant	134a
Refrigerant Charge	6.9 oz

\*Room Temperature 90°F; Supply Water Temperature 80°F; Drinking Water Temperature 50°F.

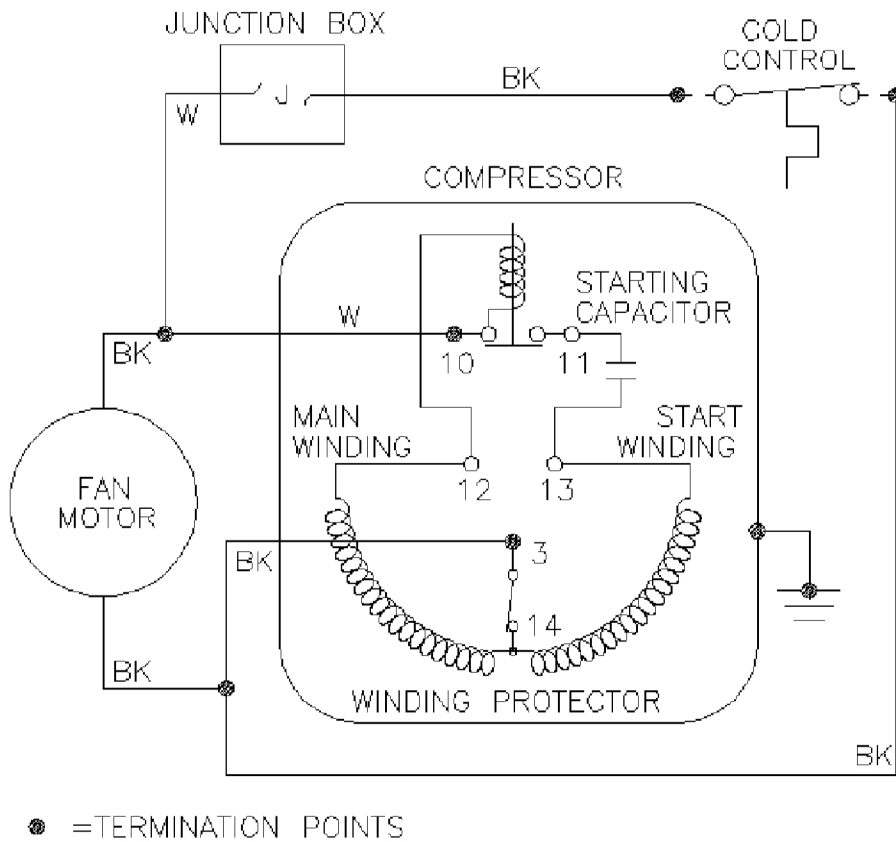
Specifications subject to change without notice.



Item #	Description	R8-D300 RWCD8-D300	R12-D300 RWCD12-D300
1	Utility Box Cover .....	023877	023877
2	Panel Front .....	025619-002	025619-002
3	Compressor (includes 13 & 14).....	033425-006	033425-005
4	Base, Compressor .....	028820-001	028820-001
5	Panel, Side & Top .....	025615	025615
6	Panel, Rear & Side .....	025616	025616
7	Insulation, Cooling Tank, Right Side .....	033431-001	033431-001
8	Insulation, Cooling Tank, Left Side .....	033431-002	033431-002
9	Cooling Tank Assembly, Insulated .....	033469-022-SP	033469-023-SP
10	Fan Motor.....	027354-036	027354-036
11	Bracket, Fan Motor .....	017530	017530
12	Shroud, Fan .....	017821-001	017821-001
13	Relay & Overload Combination .....	032836-007	032836-008
14	Capacitor.....	027956-004	027956-004
15	Cold Control.....	027040-039	027040-039
16	Blade, Fan.....	024033	024033
17	Electrical Box Assembly .....	028158-001	028158-001
18	Condenser .....	025757-001	027896-002
Part Not Shown			
	Drier .....	034343-003	034343-003

# Electrical Diagram

## R8-D300, RWCD8-D300 R12-D300, RWCD12-D300



### OASIS International

222 East Campus View Blvd. - Columbus, OH 43235 U.S.A.  
614/861-1350 - Fax: 614/322-4557  
[www.oasiscoolers.com](http://www.oasiscoolers.com)