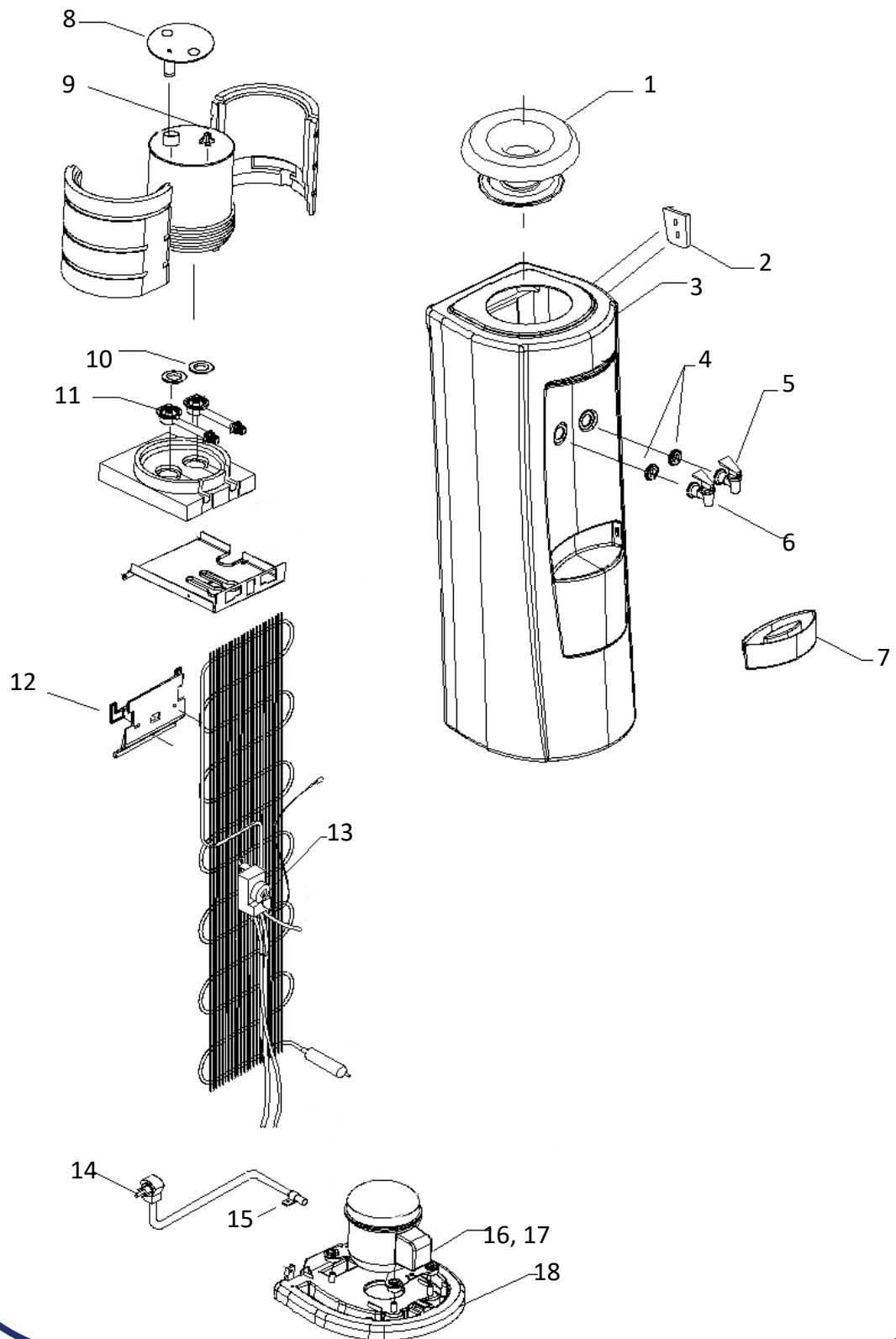


## Illustrated Parts Breakdown

### Gibraltar Series Cook & Cold, Bottled



# Exploded View



## Parts Listing

<u>Item</u>	<u>Description</u>	<u>BLACK</u>	<u>WHITE</u>
1	EZ FILL ASSY	041510-102	041510-101
2	CUP HOLDER BRACKET	041510-076	041510-075
3	CABINET	041510-100	041510-099
4	FAUCET GASKET	041510-113	041510-112
5	COLD FAUCET	041510-132	041510-131
6	COOK FAUCET	041510-131	041510-130
7	DRIP TRAY	041510-057	041510-056
8	BAFFLE	041510-063	041510-063
9	BAFFLE NUT	041510-033	041510-033
10	COOLING TANK GASKET	041510-110	041510-110
11	OUTLET TUBE	041510-074	041510-074
12	HANDLE	041510-105	041510-105
13	COLD CONTROL	041510-117	041510-117
14	SERVICE CORD, 7FT	041510-116	041510-116
15	BUSHING, STRAIN RELIEF	041510-107	041510-107
16	OVERLOAD, DRB18P61A1	041510-125	041510-125
17	RELAY QP2-4R7	041510-124	041510-124
18	BASE	041510-053	041510-052

OASIS International  
222 E Campus View Blvd ° Columbus OH 43230  
800.950.3226  
[www.oasiscoolers.com](http://www.oasiscoolers.com)