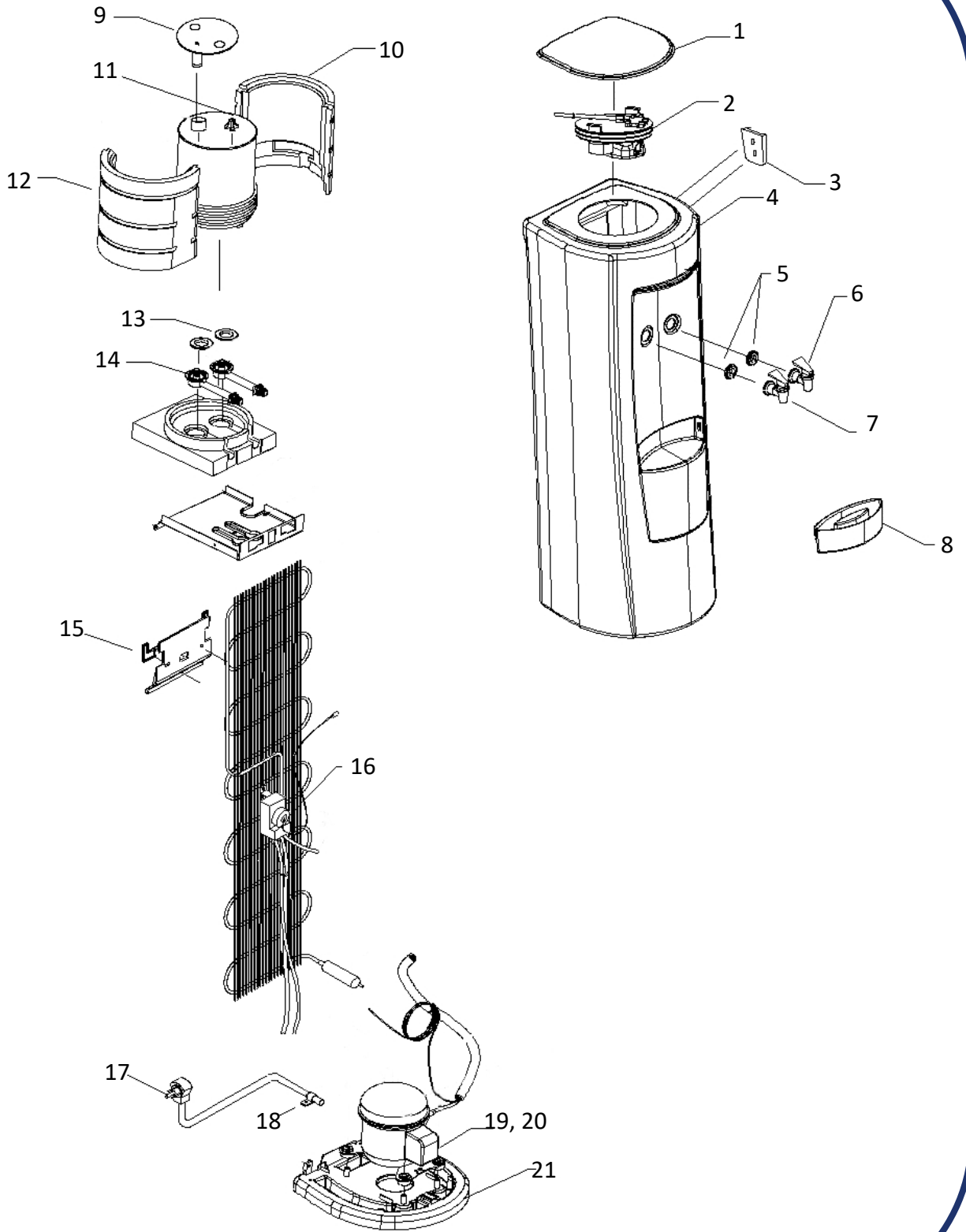


## Illustrated Parts Breakdown

### Gibraltar Series Cook & Cold, POU





## Parts Listing

| <b>No</b> | <b>Description</b>              | <b>F528 COOK &amp; COLD<br/>BLACK WITH POU</b> | <b>F528 COOK &amp; COLD<br/>WHITE WITH POU</b> |
|-----------|---------------------------------|--|--|
|           |                                 | <b>0F52802590<br/>BLACK</b>                    | <b>0F52802570<br/>WHITE</b>                    |
| 1         | POU COVER                       | 041510-084                                     | 041510-083                                     |
| 2         | FLOAT KIT (NB) ASSY             | 041510-038                                     | 041510-038                                     |
| 3         | CUP HOLDER BRACKET              | 041510-076                                     | 041510-075                                     |
| 4         | CABINET                         | 041510-100                                     | 041510-099                                     |
| 5         | FAUCET GASKET                   | 041510-113                                     | 041510-112                                     |
| 6         | SQUARE FAUCET NAVY ASSY (COLD)  | 041510-132                                     | 041510-131                                     |
| 7         | SQUARE FAUCET WHITE ASSY (COOK) | 041510-131                                     | 041510-130                                     |
| 8         | DRIP TRAY                       | 041510-057                                     | 041510-056                                     |
| 9         | BAFFLE                          | 041510-063                                     | 041510-063                                     |
| 10        | COOLING TANK POLYFOAM (A)       | 041510-134                                     | 041510-134                                     |
| 11        | BAFFLE NUT                      | 041510-033                                     | 041510-033                                     |
| 12        | COOLING TANK POLYFOAM (B)       | 041510-135                                     | 041510-135                                     |
| 13        | COOLING TANK GASKET             | 041510-110                                     | 041510-110                                     |
| 14        | COOLING WATERWAY                | 041510-074                                     | 041510-074                                     |
| 15        | HANDLE (LC)                     | 041510-105                                     | 041510-105                                     |
| 16        | COLD CONTROL                    | 041510-117                                     | 041510-117                                     |
| 17        | SERVICE CORD, 7FT               | 041510-116                                     | 041510-116                                     |
| 18        | BUSHING, STRAIN RELIEF          | 041510-107                                     | 041510-107                                     |
| 19        | OVERLOAD, DRB18P61A1            | 041510-125                                     | 041510-125                                     |
| 20        | RELAY QP2-4R7                   | 041510-124                                     | 041510-124                                     |
| 21        | BASE                            | 041510-053                                     | 041510-052                                     |

OASIS International  
 222 E Campus View Blvd • Columbus OH 43230  
 800.950.3226  
[www.oasiscoolers.com](http://www.oasiscoolers.com)