



**AQUARIUS**

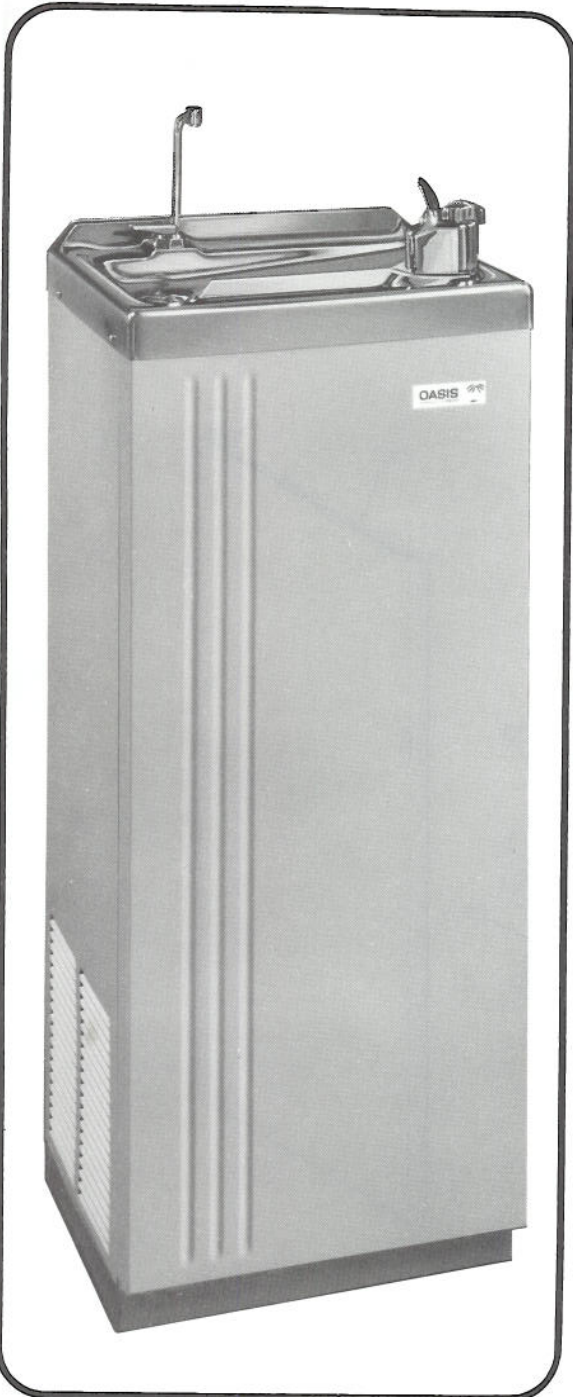
*Kelvinator*

White-Westinghouse®

# ILLUSTRATED PARTS BREAKDOWN

## WATER COOLER MODELS:

|                  |                   |                    |
|------------------|-------------------|--------------------|
| <b>DP8A-003</b>  | <b>PLF8FA</b>     | <b>PLF8FAH-001</b> |
| <b>DP8AH-003</b> | <b>PLF8FA-001</b> | <b>PLF14FA</b>     |
| <b>DP14A-001</b> | <b>PLF8FAH</b>    | <b>PLF14FA-001</b> |



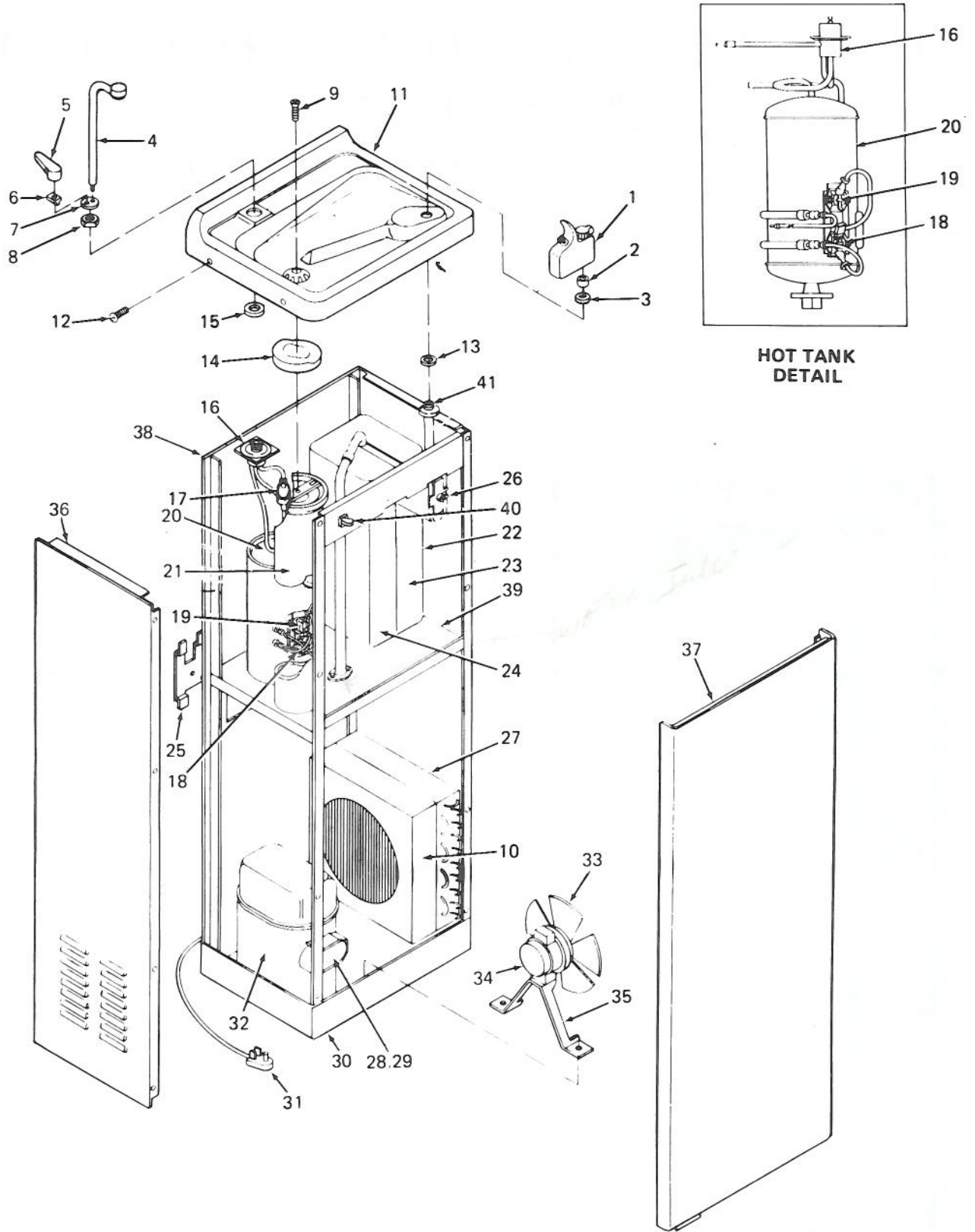
## SPECIFICATIONS

|                          |                           |
|--------------------------|---------------------------|
| Voltage                  | 115 VAC ±10%/1PH/60 Hertz |
| Size                     | 40" H., 17" W., 14" D.    |
| Shipping Weight (Approx) | 96 LBS.                   |

|                                | Models                             |                  |
|--------------------------------|------------------------------------|------------------|
|                                | DP8A<br>DP8AH<br>PLF8FA<br>PLF8FAH | DP14A<br>PLF14FA |
| Cold Water Capacity (GPH)      | 8                                  | 14               |
| Compressor (HP)                | 1/5                                | 1/5              |
| Compressor Amps<br>(Full Load) | 5.0                                | 5.0              |
| Hot Tank Amps                  | 4.3                                |                  |
| Refrigerant                    | R-12                               | R-12             |
| Refrigerant Charge             | 5-1/4 OZ.                          | 5-1/4 OZ.        |

\*A.R.I. Rating: Room Temperature 90°F; Supply Water Temperature 80°F; Drinking Water Temperature 50°F.

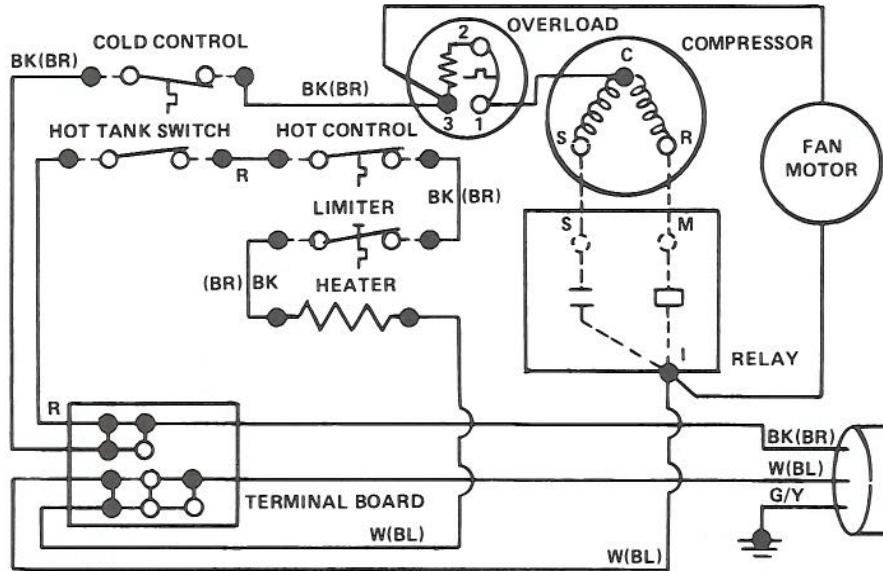
Specifications subject to change without notice.



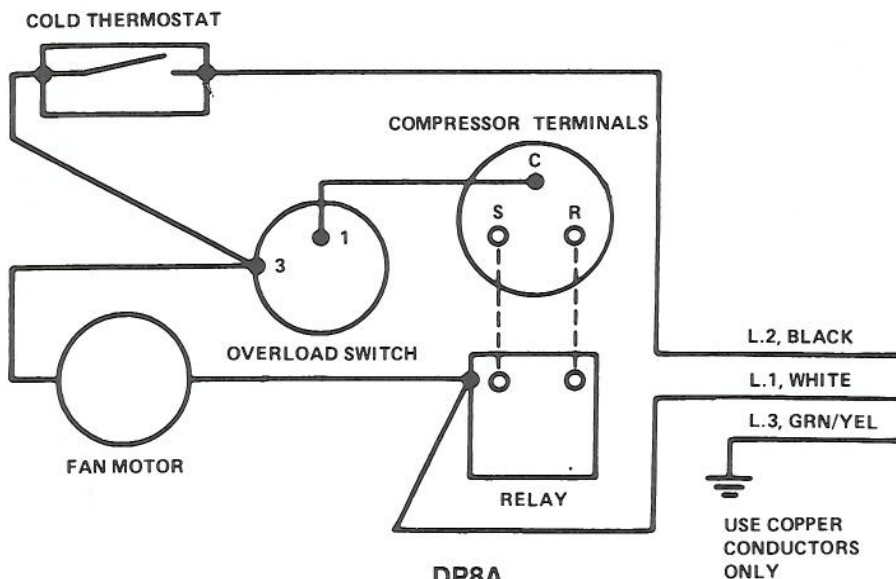
## PARTS LIST

| ITEM NO.         | DESCRIPTION                                 | DP8A-003<br>PLF8FA | DP8AH-003<br>PLF8FAH | DP14A-001<br>PLF14FA |
|------------------|---|--------------------|----------------------|----------------------|
| 1                | 12000 Bubbler Valve .....                   | 026551-002         | 026551-002           | 026551-002           |
|                  | 12000A Bubbler Valve (PLF-001 Series) ..... | 030774-002         | 030774-002           | 030774-002           |
| 2                | Bubbler Valve Gasket .....                  | 008983             | 008983               | 008983               |
| 3                | Friction Washer .....                       | 009281             | 009281               | 009281               |
| 4                | Gooseneck .....                             | ---                | 017590               | ---                  |
| 5                | Handle .....                                | ---                | 017925               | ---                  |
| 6                | Tee Nut .....                               | ---                | 017926               | ---                  |
| 7                | Cover .....                                 | ---                | 017927               | ---                  |
| 8                | Nut .....                                   | ---                | 017583               | ---                  |
| 9                | Drain Screw .....                           | 026655-002         | 026655-002           | 026655-002           |
| 10               | Condenser Shroud .....                      | 026416             | 026416               | 026416               |
| 11               | Top .....                                   | 028965-005         | 028965-002           | 028965-005           |
| 12               | Top Screw .....                             | 026630-005         | 026630-005           | 026630-005           |
| 13               | Gasket (Under Top) .....                    | 028706-001         | 028706-001           | 028706-001           |
| 14               | Waste Gasket .....                          | 018050             | 018050               | 018050               |
| 15               | Hot Valve Gasket .....                      | ---                | 017582               | ---                  |
| 16               | Hot Valve Body Assembly .....               | ---                | 026693               | ---                  |
| 17               | Check Valve .....                           | ---                | 026274               | ---                  |
| 18               | Hot Thermostat Kit w/Clip .....             | ---                | 028603-001           | ---                  |
| 19               | Heat Limiter Kit w/Clip .....               | ---                | 028604-001           | ---                  |
| 20               | Hot Tank .....                              | ---                | 029359-001           | ---                  |
| 21               | Precooler or Waste Assembly .....           | 018406-001         | 018406-002           | 026067-001           |
| 22               | Insulated Cooling Tank Assembly .....       | 028742-001         | 028742-001           | 028742-001           |
| 23               | Cooling Tank Insulation (RH) .....          | 028660-001         | 028660-001           | 028660-001           |
| 24               | Cooling Tank Insulation (LH) .....          | 028661-001         | 028661-001           | 028661-001           |
| 25               | Utility Cover - Painted .....               | 018456             | 018456               | 018456               |
|                  | Utility Cover - Stainless Steel .....       | 018480             | 018480               | 018480               |
| 26               | Cold Control .....                          | 027040-007         | 027040-007           | 027040-007           |
| 27               | Condenser .....                             | 019743             | 019743               | 019743               |
| 28               | Relay .....                                 | 017978             | 017978               | 017978               |
| 29               | Overload .....                              | 017977             | 017977               | 017977               |
| 30               | Base .....                                  | 018379-002         | 018379-002           | 018379-002           |
| 31               | Service Cord .....                          | 026540-005         | 026540-003           | 026540-005           |
| 32               | Compressor (Includes Items 28 & 29) .....   | 027256-002         | 027256-002           | 027256-002           |
| 33               | Fan Blade .....                             | 022977             | 022977               | 022977               |
| 34               | Fan Motor .....                             | 027354-009         | 027354-009           | 027354-009           |
| 35               | Fan Motor Bracket .....                     | 017557             | 017557               | 017557               |
| 36               | Side Panel - Painted .....                  | 019403-001         | 019403-001           | 019403-001           |
|                  | Side Panel - Stainless Steel .....          | 019403-002         | 019403-002           | 019403-002           |
| 37               | Front Panel - Painted .....                 | 018385-001         | 018385-001           | 018385-001           |
|                  | Front Panel - Stainless Steel.....          | 018385-003         | 018385-003           | 018385-003           |
| 38               | Rear Panel - Painted .....                  | 018384             | 018384               | 018384               |
|                  | Rear Panel - Stainless Steel .....          | 018479             | 018479               | 018479               |
| 39               | Shelf Assembly .....                        | 026110-001         | 026110-001           | 026110-001           |
| 40               | Paddle Switch (DP8AH) .....                 | ---                | 020478               | ---                  |
|                  | Rocker Switch (PLF8AH) .....                | ---                | 029545-001           | ---                  |
| 41               | Bubbler Spud .....                          | 028701-002         | 028701-002           | 028701-002           |
| <b>NOT SHOWN</b> |   |                    |                      |                      |
|                  | Terminal Base .....                         | ---                | 023265               | ---                  |
|                  | Base Cover .....                            | ---                | 019793               | ---                  |
|                  | Glass Filler Installation Kit .....         | 028746-001         | ---                  | 028746-001           |
|                  | Foot Pedal Kit .....                        | 026645-011         | 026645-011           | 026645-011           |
|                  | Hole Cover .....                            | 016994             | ---                  | 016994               |

# ELECTRICAL DIAGRAMS



**DP8AH  
PLF8FAH**



**DP8A  
DP14A  
PLF8FA  
PLF14FA**

OASIS® & AQUARIUS® are registered trademarks of EBCO Manufacturing Company  
The trademarks Kelvinator® and White-Westinghouse® are used under license from White Consolidated Industries, Inc.

**EBCO**® MANUFACTURING COMPANY

265 N. Hamilton Rd. • P.O. Box 13150 • Columbus, OH 43213-0150 • 614/861-1350 • Fax: 614/861-5017

Copyright 1993 EBCO Manufacturing Co.