

M140RSBF Illustrated Parts Breakdown



© 2023 LVD Acquisition, LLC

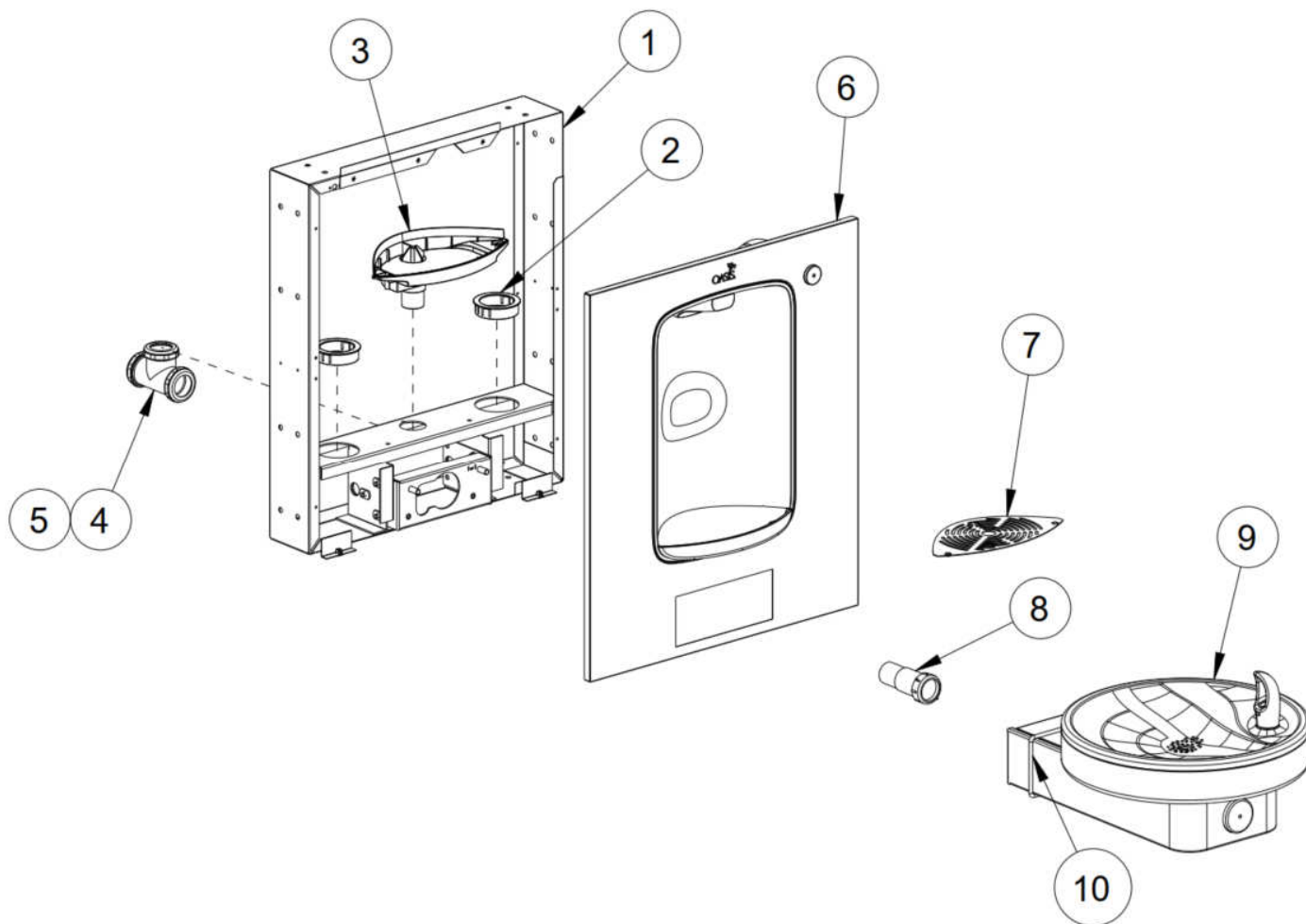
Oasis, Aqua Pointe, Versacooler and VersaFiller are registered trademarks of LVD Acquisition, LLC dba Oasis International

041365-009, Date: 8/2023


OASIS INTERNATIONAL
222 East Campus View Blvd.
Columbus, OH 43235
614-861-1350
www.oasiscoolers.com

M140RSBF

Illustrated Parts Breakdown

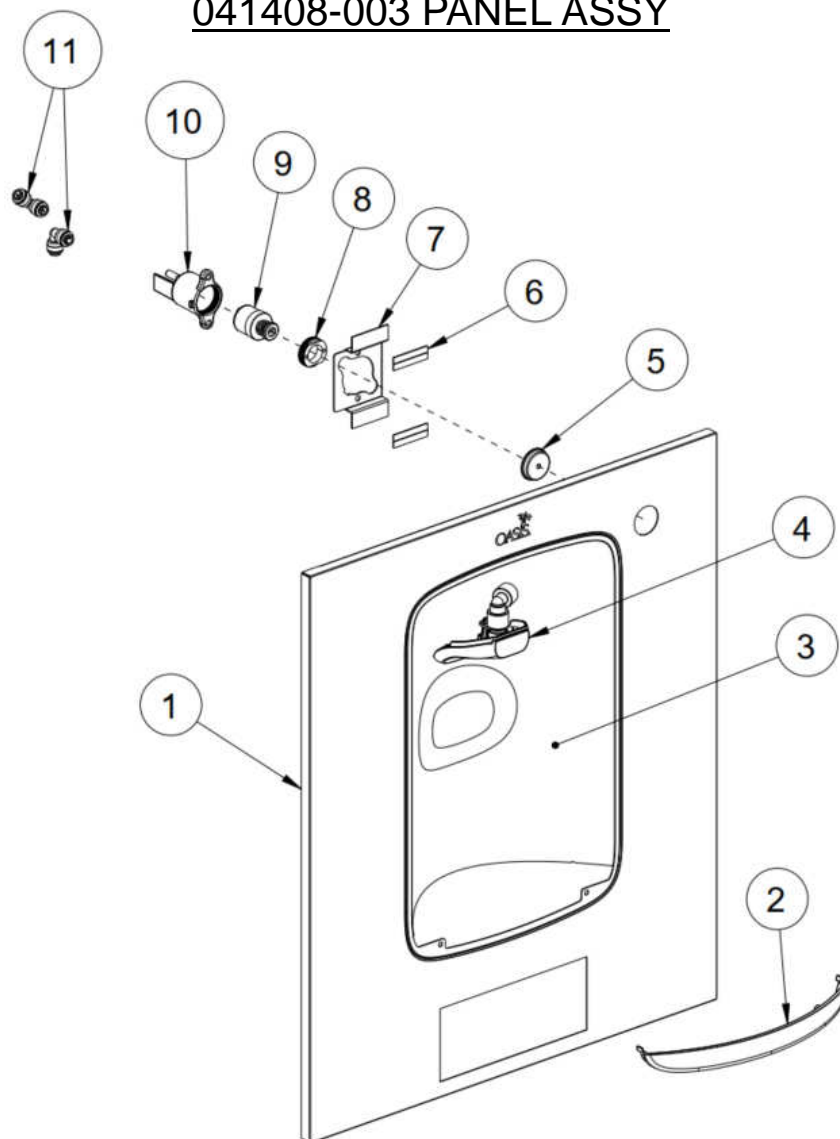


<u>ITEM</u>	<u>QTY</u>	<u>P/N</u>	<u>Description</u>
1	1	027730-029	FRAME ASSY COMPL, MOD-BF
2	2	027189-012	BUSHING, SNAP 2.5"
3	1	042372-001	DRIPTRAY, SURFM
4	1	A020968	1-1/2"WASTE TEE, W/NUTS,1-1/4"WASHER
5	3	039043-001	WASHER, SLIP 1-1/2" TO 1-1/4"
6	1	041408-003	PANEL ASSEMBLY
7	1	042374-001	GRILLE, DRIPTRAY
8	1	038106-001	WASTE, ADAPTOR, DRAIN
9	1	504584	F140R FOUNTAIN
10	1	027623-001	GASKET WALL TO ARM REVEAL

M140RSBF

Illustrated Parts Breakdown

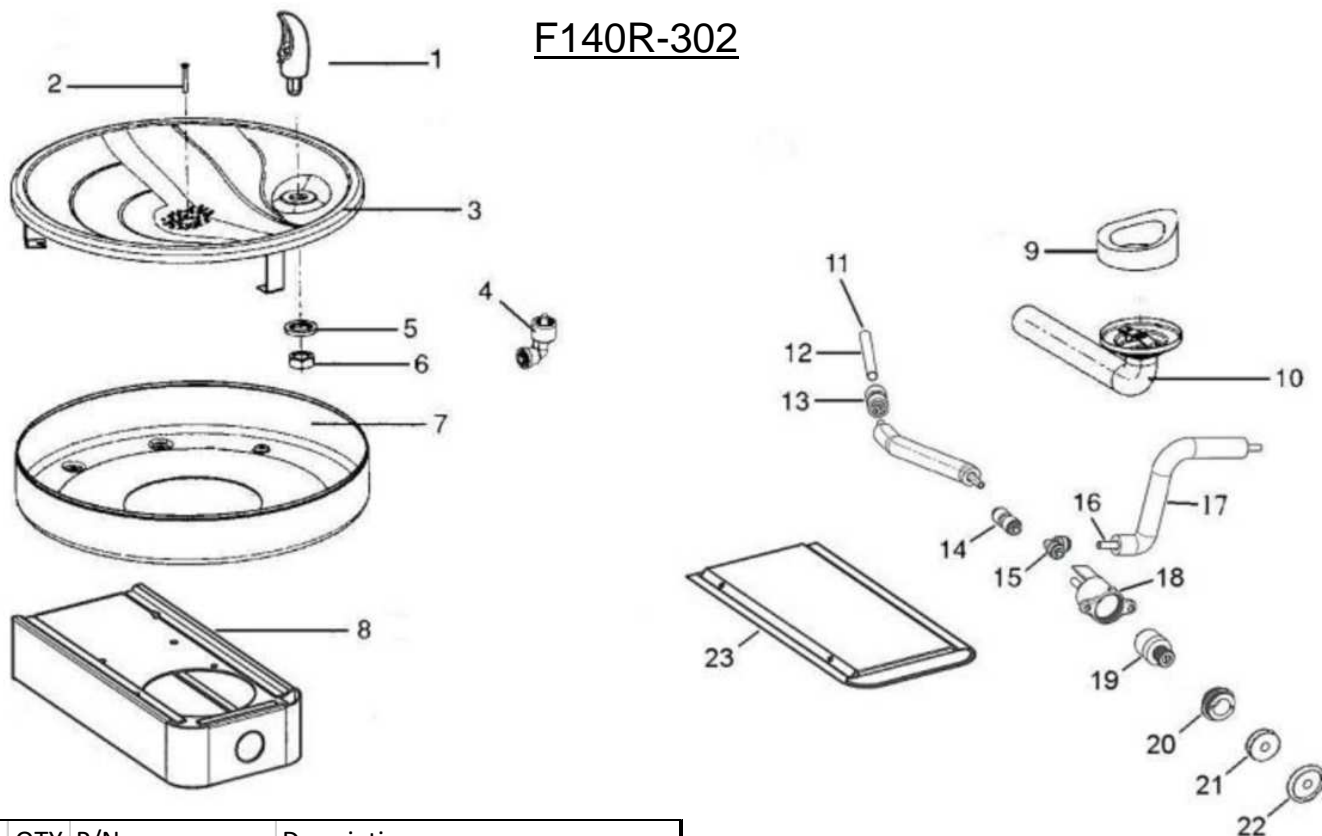
041408-003 PANEL ASSY



<u>ITEM</u>	<u>QTY</u>	<u>P/N</u>	<u>Description</u>
1	1	041407-002	PANEL, UPPER RAD-SBF
2	1	042370-001	COVER, FRONT
3	1	041405-004-SP	ASM, VHB ALCOVE SBF
4	1	041404-001-SP	ASM, SPOUT
5	1	038273-001	PUSH BUTTON
6	6.6"	041370-002	TAPE, VHB 3M
7	1	041494-001	BRACKET, CARTRIDGE
8	1	A020957	NUT, RETAINING PLASTIC
9	1	029967-005	CARTRIDGE, 4.25# SPRING
10	1	035990-001	HOLDER, CARTRIDGE
11	2	028481-101	FITTING, UNION ELBOW 1/4"OD

M140RSBF

Illustrated Parts Breakdown



ITEM	QTY	P/N	Description
1	1	035607-108	BUBBLER VALVE
2	1	036049-002	DRAIN SCREW
3	1	033722-001	FOUNTAIN TOP ASSEMBLY
4	1	036206-001	FTG, BUBBLER NUT W/JG
5	1	028706-030	WASHER, UNDER TOP
6	1	026824-019	NUT, HEX
7	1	027616-005	BOTTOM, BOWL
8	1	033606-118	FOUNTAIN ARM
9	1	027614-001	WASTE GASKET
10	1	036011-006	WASTE ASSEMBLY
11	1	033264-003	STRAINER, IN-LINE
12	1	026794-014	TUBE, STRAIGHT
13	1	028668-101	FTG, PP REDUCING UNION
14	1	028605-101	FTG, PP UNION 1/4" OD
15	1	028481-101	FTG, PP UNION ELBOW WHITE
16	1	029959-006	TUBING, PE 1/4" OD WHITE
17	1	028485-001	INSULATION, SPONGE TUBING
18	1	035990-001	HOLDER, CARTRIDGE
19	1	029967-005	CARTRIDGE
20	1	A020957	NUT, RETAINING, PLASTIC
21	1	038678-001	BUTTON, PLUG
22	1	038636-004	BUTTON, PUSH, STN
23	1	033723-003	BOTTOM PLATE
NOT SHOWN:			
	1	027623-001	GASKET, WALL TO ARM REVEAL