

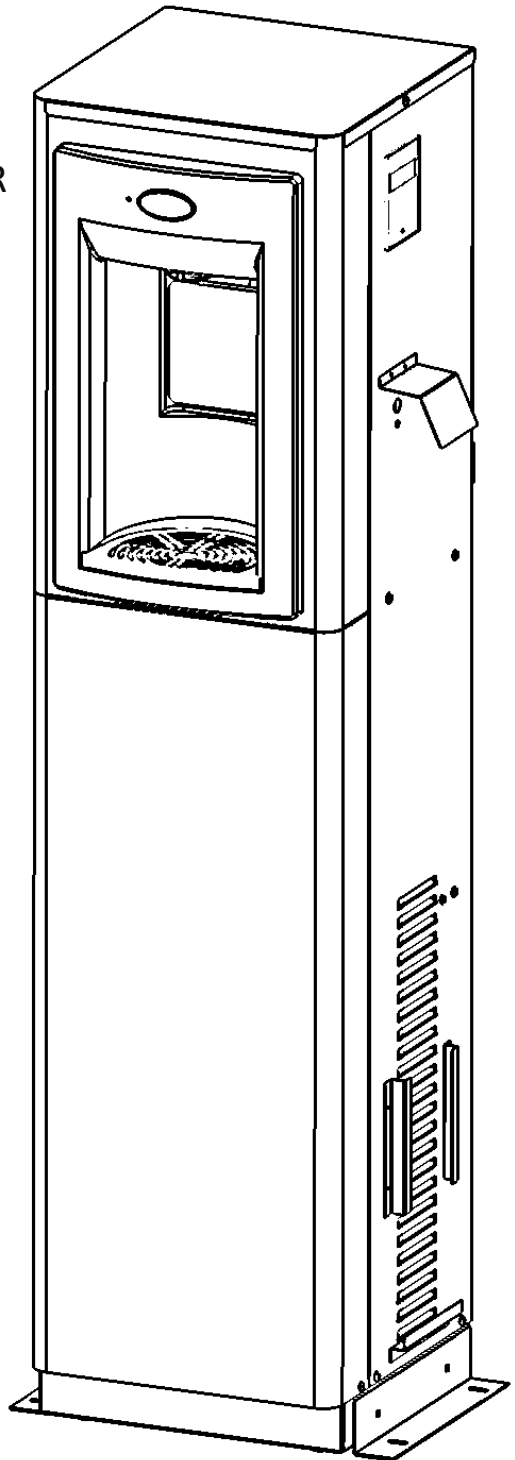


FREE STANDING CONTACTLESS OUTDOOR
BOTTLE FILLER WITH QUASAR UV-C LED

Installation Instructions For:

UNFILTERED:

PCPD10EBQ



OASIS International
222 East Campus View Blvd.
Columbus, OH 43235
614-861-1350
www.oasiscoolers.com

INDEX

1. PRODUCT SPECIFICATIONS
2. IMPORTANT REQUIREMENTS
3. SAFETY WARNINGS
4. QUASAR UV-C LED OPERATION
5. GETTING STARTED
6. PROPER QUICK CONNECT FITTING CONNECTION INSTRUCTIONS
7. INSTALLATION
8. SET-UP GUIDE FOR DISPENSER PCB ELECTRONICS
9. AIR FILTER CARE & USE

1. PRODUCT SPECIFICATIONS

Dimensions:

Depth 13.35" (339.0 mm)

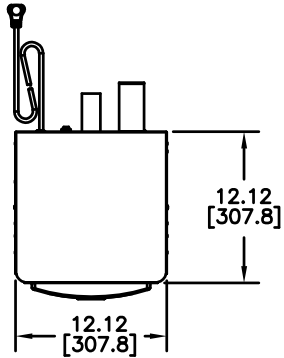
Width 12" (304.8 mm)

Height 49.7" (1262.4 mm)

Refrigerant: R-134a

Input Voltage: 115 VAC, 60 HZ—See Data Plate

ROUGHING-IN AND DIMENSIONAL DRAWING

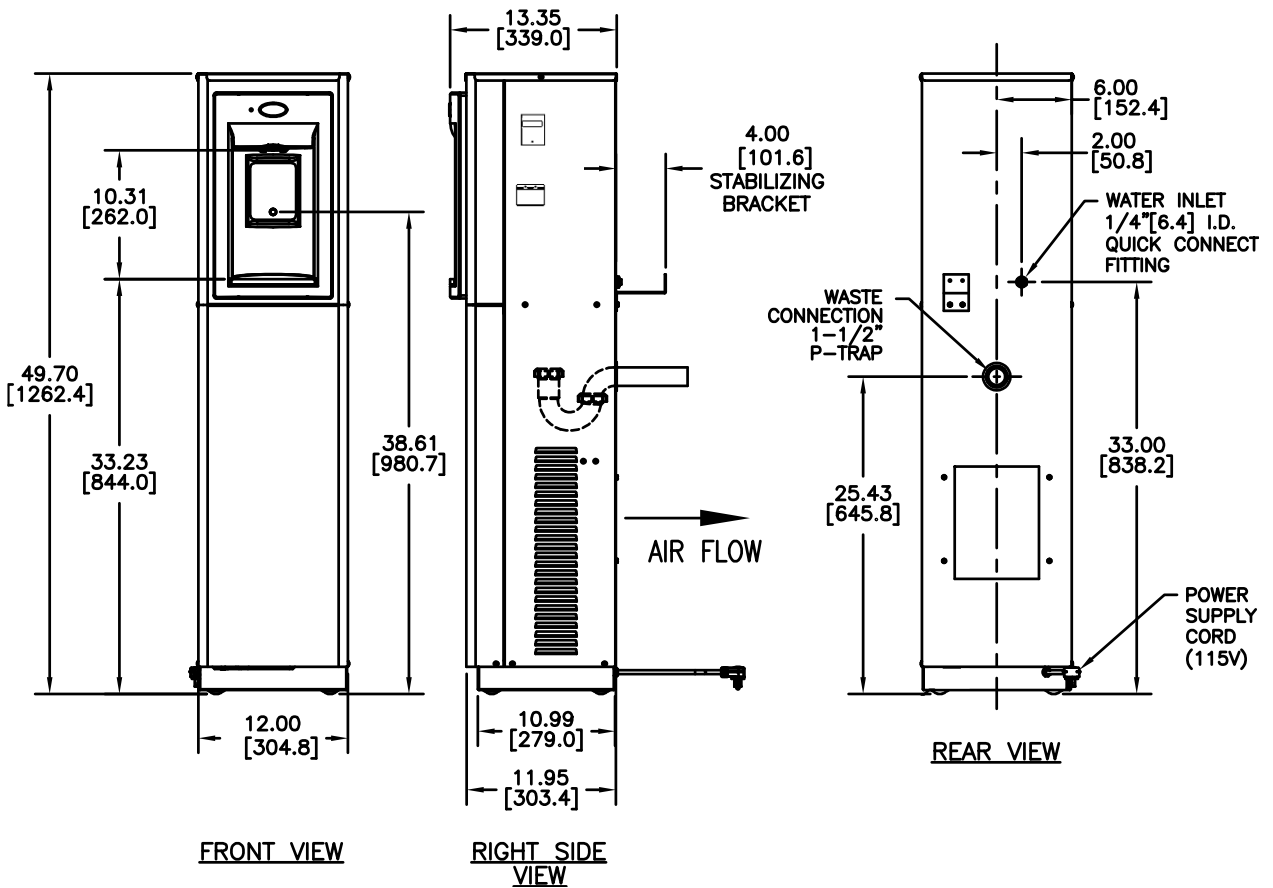


PLAN VIEW

ALL DIMENSIONS ARE IN INCHES.

DIMENSIONS IN BRACKETS [] ARE IN MILLIMETERS.

ALLOW 4" [102] FOR VENTILATION AT THE REAR OF THE WATER COOLER AND THE SIDES IF SET IN AN ALCOVE OR NEAR A CORNER.



FRONT VIEW

RIGHT SIDE VIEW

REAR VIEW

2. IMPORTANT REQUIREMENTS

- Use only original and new parts to guarantee the reliability, optimization, and performance of the OASIS water machine.
- Always wear proper protection when performing any type of service or maintenance.
- When cleaning the unit, do not use corrosive acidic products, or metal brushes.
- Do not wash the unit using high-pressure water.
- Connect to a water supply with a pressure of 45 PSI minimum to 100 PSI maximum.
- **WARNING:** DO NOT USE WITH WATER THAT IS MICROBIOLOGICALLY UNSAFE OR OF UNKNOWN QUALITY.
- **ATTENTION:** IT IS IMPORTANT TO MAKE PROPER CONNECTIONS TO THE QUICK CONNECT FITTINGS TO AVOID LEAKS. **SEE SECTION 6.**
- **CAUTION:** DO NOT PLACE UNDUE STRESS OR SIDE LOAD ON ANY OF THE PLASTIC FITTINGS.
- **CAUTION:** DO NOT ACTIVATE ELECTRICAL EYE SENSOR WITHOUT RUNNING WATER THROUGH THE UV-C MODULE. DOING SO WILL DAMAGE THE UV-C LEDS. SEE SECTION 7, STEPS 10 THROUGH 18.

3. SAFETY WARNINGS:

BEFORE YOU START USING THIS WATER DISPENSER, PLEASE READ THE FOLLOWING INSTRUCTIONS CAREFULLY.

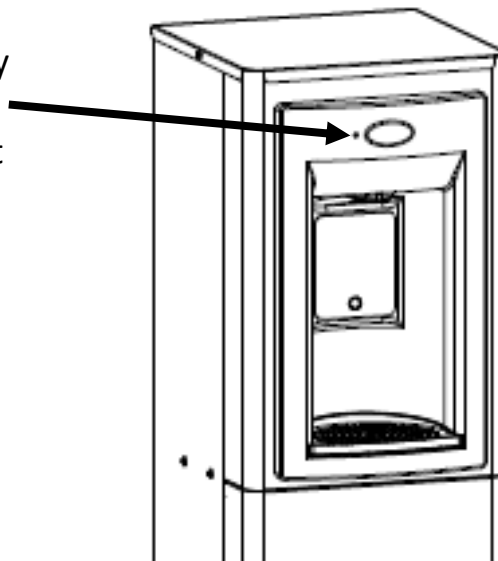
- The unit must be connected to a 115 VAC GFCI power supply as listed on the equipment data label.
- The unit must be protected by a properly installed 20 amp circuit breaker. Verify that the electrical current is correct for the power of this unit, which is listed on the machine data label.
- To avoid electrical shock always unplug the unit from the electrical outlet before servicing.
- If the power supply cord is damaged, it must be replaced by a special cord or assembly available from the manufacturer or its service agent.
- This appliance must be earthed.
- Children should be supervised to ensure that they do not play with this appliance.

4. QUASAR UV-C LED OPERATION

1. QUASAR is a form of dispense point water treatment that utilizes UV-C LED's to inactivate pathogens.
2. Operation:
 - a. The QUASAR activation is automatic. The UV-C LED's turn ON when water is dispensed and OFF when the dispense stops.
 - b. During non-use periods the QUASAR automatically cycles ON for ten seconds every ten minutes. This keeps the dispense point more sanitary between use.
 - c. When the QUASAR is ON, the LED light on the front of the alcove near the top will turn ON. The LED will be BLUE when the QUASAR is working properly.
 - d. If QUASAR is not working properly, then the LED light on the front of the alcove near the top will be RED or YELLOW. The light will remain ON and the system will not allow water to be dispensed until the problem is resolved.
 - e. **IMPORTANT:** Never operate the QUASAR without water connected to the system. Lack of water can cause the QUASAR to overheat. If it is necessary to activate QUASAR to purge the system of air, then do not activate the QUASAR dry for more than 4-5 seconds at a time. Wait 60 seconds to allow the QUASAR to "cool" before the next "dry" activation. Dry activations normally occur during initial setup or during filter changes.

Indicator Light

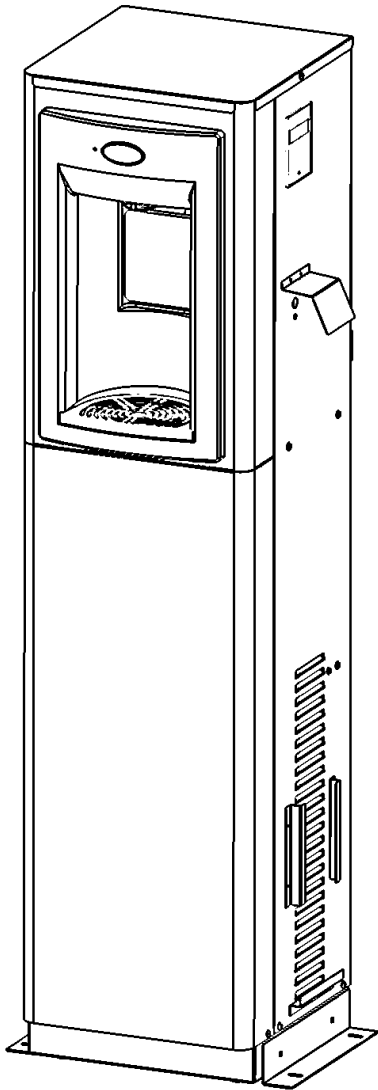
BLUE=operating normally
RED/YELLOW=QUASAR
failure and water will not
dispense.



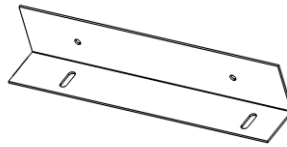
5. GETTING STARTED:

What's Included:

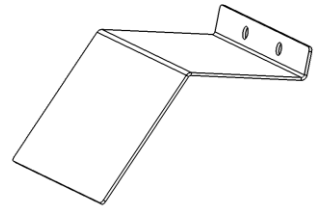
- a. OUTDOOR BOTTLE FILLER
- b. MOUNTING BRACKET
- c. IR SENSOR GUARD
- d. AIR FILTER MOUNTING BRACKET
- e. DURAFLOW AIR FILTER



OUTDOOR
BOTTLE FILLER



Mounting Bracket 2X



IR Sensor Guard



Duraflow Air
Filter 2X

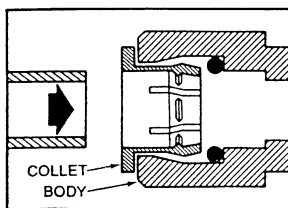


Air Filter Mounting
Bracket 6X

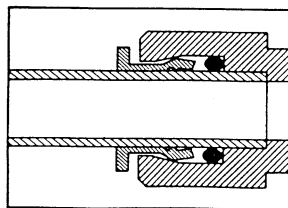
6. PROPER QUICK CONNECT FITTING CONNECTION INSTRUCTIONS:

Quick-Connect Fittings

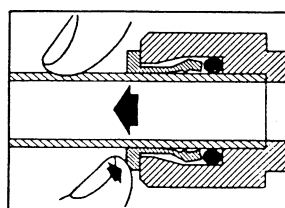
- If you need to cut the plastic tubing, be sure to cut tube ends square and straight. Do not deform the tube (i.e., cause tube to compress its diameter so it is no longer round, or it may result in a water leak at the fitting).
- Make sure the outer surface of the tube is clear of marks or scratches for a length equal to twice the tube diameter. This allows the “O” ring to seat properly against the tube (See figure below).
- Avoid sharp changes in direction when routing the tubing. Sharp turns could cause the tubing to kink, which reduces its flow capacity and or stops it completely.
- Fittings consist of two parts: a body and a collet. (See figure below).
- To install a tube, push it through the collet until it seats firmly at the bottom of the fitting.
- To remove a tube, push and hold the collet against the body while pulling the tube out. Pushing the tube into the body before pushing the collet in will aid in the removal of the tube.



Push tube through
Collet into Body



Tube must seat firmly
At bottom of fitting



Push Collet against
Body to release tube

7. INSTALLATION:

STEP 1 & 2:

1. Carefully unpack Air filter mounting brackets, IR Sensor Guard, and pallet mounting brackets
2. Install using included Torx Screws (quantity 18) See **Diagram 1&2.**

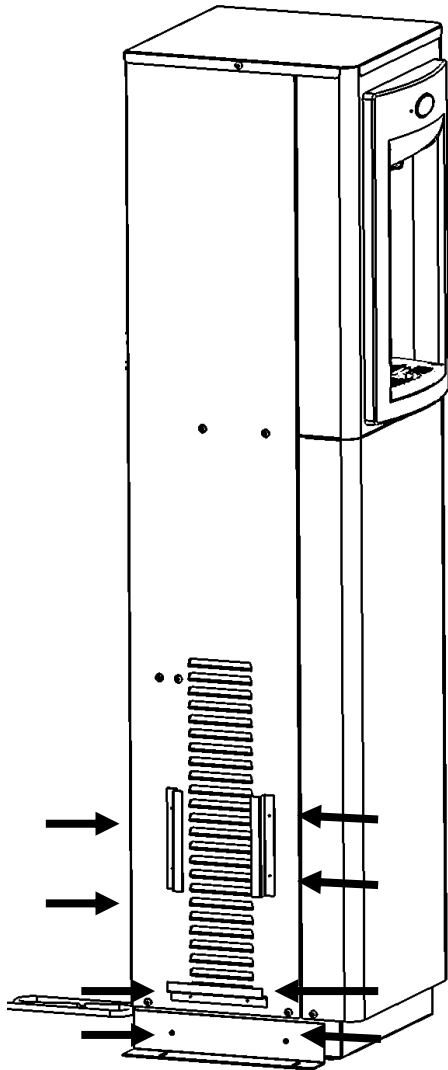


DIAGRAM 1

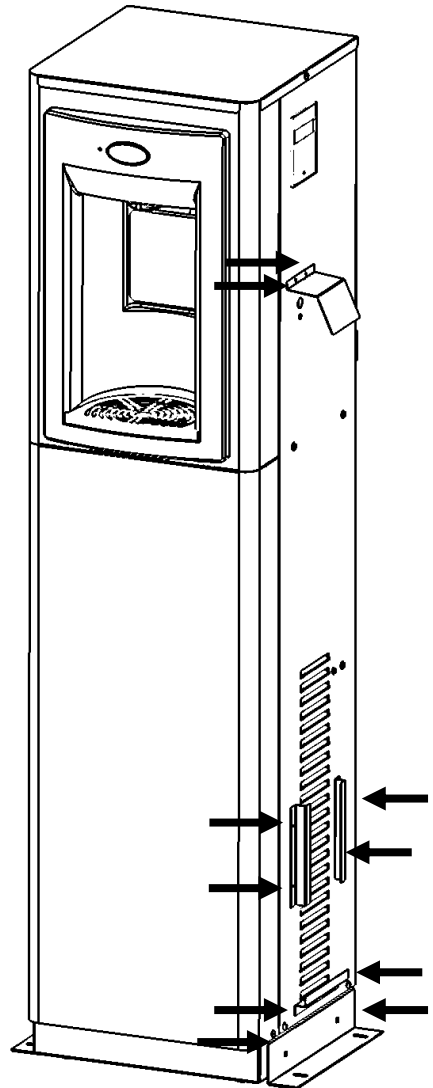


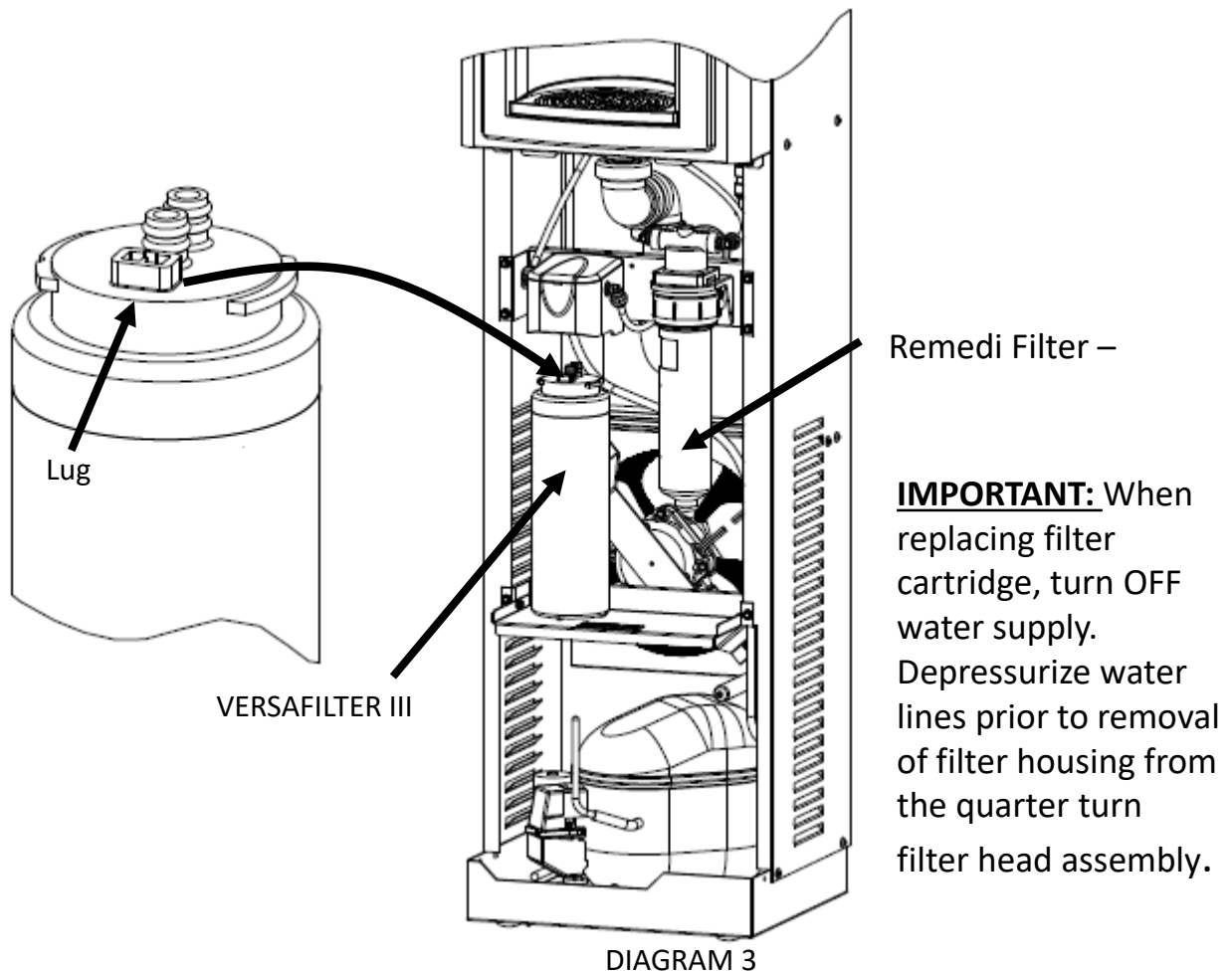
DIAGRAM 2

INSTALL USING
T15 TORX SCREWS
QTY. 18

7. INSTALLATION:

STEPS 3 through 5 (for optional filters)

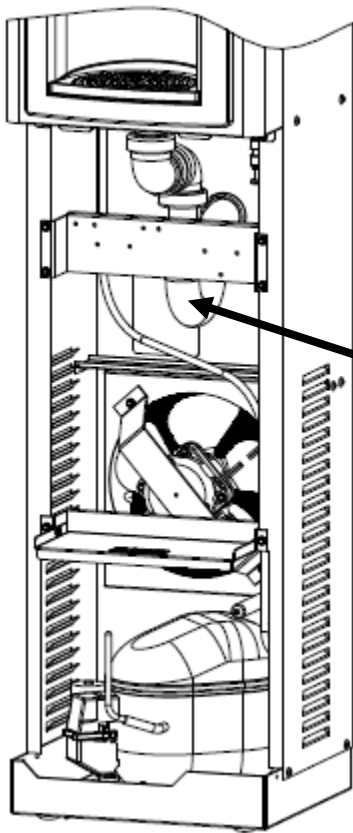
3. Unpack the VersaFilter III and remove the sanitary cap.
4. Looking at the filter top, orient the filter so that the rectangular lug, on top of the filter faces forward.
5. Push the filter up into the filter housing and rotate the filter one-quarter turn to the right until it stops turning. Refer to Diagram 3



7. INSTALLATION:

STEP 6:

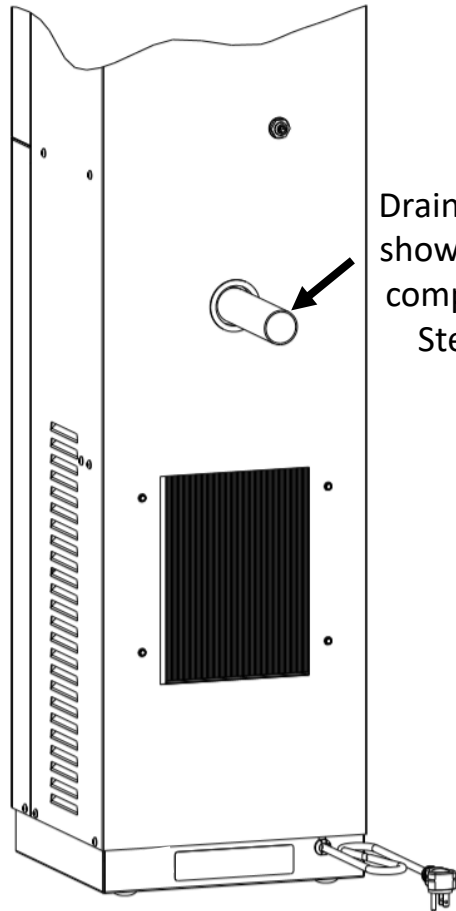
6. Locate the snap bushing in the back of the cabinet and feed 1-1/2" OD Drain Pipe through the hole. See Diagram 4 & 5.



P-Trap Located
behind the
filter mounting
bracket

DIAGRAM 4

Front View



Drain Pipe –
shown after
completing
Step 6.

DIAGRAM 5

Rear View

7. INSTALLATION:

STEPS 7 through 9:

(See Diagram 6)

7. Connecting 1/4" OD water supply tube to 1/4" quick connect fitting on the back of the unit. Refer to Section 6 for instructions on how to properly connect to quick connect fittings. **IMPORTANT:** Before connecting water supply to dispenser, **flush building water supply.**
8. Connect 1-1/2" OD drain pipe to Elbow Coupling (not provided). Connect to building drain.
9. Attach mounting brackets to a pallet or ground as necessary. No mounting screws are included due to many possible mounting methods.

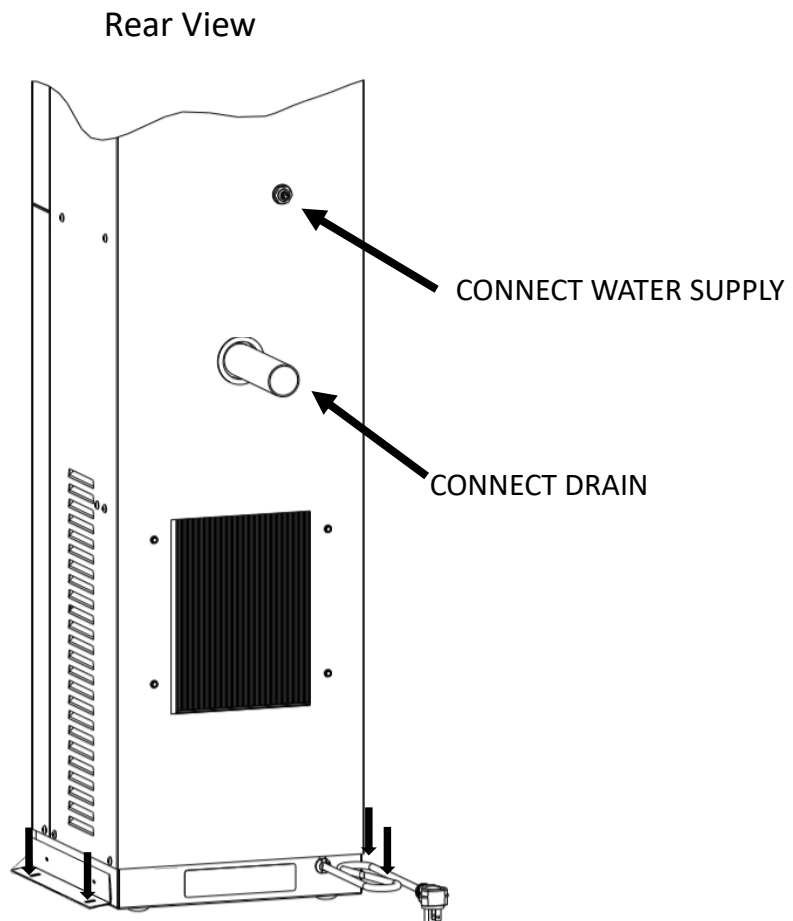


Diagram 6

7. INSTALLATION:

STEPS 10 through 18:

10. NOTE: This unit contains the QUASAR UV-C LED.

IMPORTANT:

REVIEW Section 4: QUASAR UV-C LED OPERATION before proceeding. Failure to follow Section 4 can damage the QUASAR. Do not attempt to operate the electronic bottle filler dispenser until the cooling tank is filled and the water filters are flushed.

11. Purging Air From Cooling Tank and Flushing Filters:

- Remove top of unit by removing one screw on each side of the top.
- Locate the ball valve as shown in Diagram 7
- Place a container in the alcove
- Open the ball valve and leave open until water comes out continuously without any air. If filters are installed, continue to run water until the water runs clear. Then close the Ball Valve.

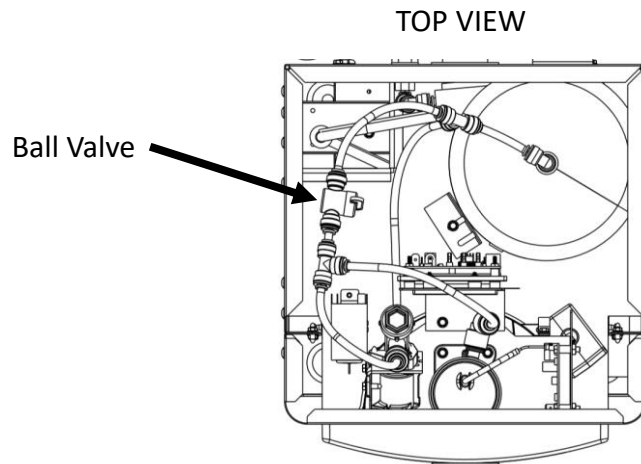


DIAGRAM 7

12. Check system for any leaks.

13. Rotate the fan blade to see that it is free of obstructions.

14. ENERGIZING UNIT: Check the available power supply against the water dispenser data plate to ensure correct electrical service. This water dispenser is intended to be connected to a 20A minimum ground fault circuit interrupting (GFCI) device to meet UL requirements. Plug Power Supply Cord into outlet.

15. Place bottle in alcove to purge additional air in Cooling Tank and water lines. The Water Dispenser sensor will run for 20 seconds and shut-off. Do this 2 or 3 times until a steady stream of water dispenses.

16. SETTING UP PCB ELECTRONICS: Follow instructions in **Section 8** to change default setting.

17. Re-install Front Panel, and 2 screws.

18. Set up is complete. Enjoy!

8. SET-UP GUIDE FOR DISPENSER PCB ELECTRONICS:

Factory default program settings are:

- Units - Gallons
- Unfiltered unit
- Flow Meter = Rate Selected
- Filter Capacity = 1250 gallons [4731 liters]
- Bottle Count = 0.5L (1 Bottle)
- Flow Rate = 1.2 GPM
- 20 second maximum dispense time

Top panel will need to be removed by taking out one screw on each side. Set aside until programming is complete. Remove wire tie bundling pushbutton inside bottle dispenser. You can then adjust program using the pushbutton through the top of the dispenser.

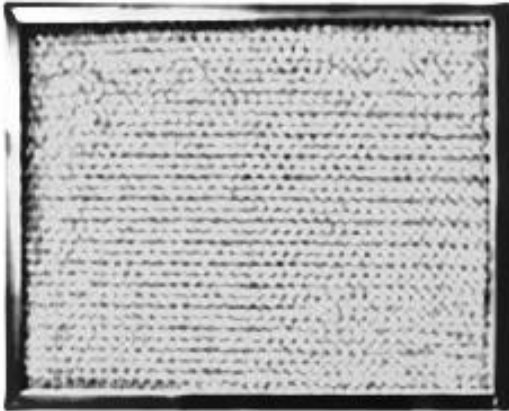
Pushbutton



To change the program settings, follow these steps:

<i>Display</i>	<i>Action</i>
00000000 BOTTLES REUSED (Home Screen)	Depress button for 3 seconds to enter into the following menu settings and make changes. Note: at anytime it will exit menu and save settings when idle for 10 seconds (no button press) and revert back to Home Screen.
LTR/GAL GAL	Depress button 3 seconds to change from Gallons to Liters, or momentary press to advance to next menu.
UNFILT/FILT? UNFILT UNIT	Depress button 3 seconds to change from Unfiltered to Filtered unit, or momentary press to advance to next menu.
FLOW METER? RATE SELECTED	Depress button 3 seconds to change from Rate Selected to (Flow) Meter Enabled, or momentary press to advance to next menu.
SELECT RATE 1.2 GPM UNIT	To change flow rate, momentarily depress button to change whole gallon digit. Hold button 3 seconds to advance to TENTHS of gallon digit. Depress momentarily to change the digit. Hold button 3 seconds to advance to the next menu.
RESET 0000000 GALLON CNT [LTR COUNT]	Depress button for 3 seconds to reset Gallon or Liter count, or momentary press to advance to next menu.
FILT CAPAC OF 1250 GAL [4731 LTR]	Depress button for 3 seconds to change filter capacity to 3000 GAL [11355 liters] for Galaxi green filter, or momentary press to advance to next menu.
3 sec rule? 0.5L	Depress button for 3 seconds to switch from 0.5L bottle to 3 sec rule, or momentary press to advance to next menu. (The 3 Sec rule increases the bottle count based on a 3 second dispense.)
Reset 0000000 BOT COUNT?	Depress button for 3 seconds to reset (Home Screen) BOTTLES REUSED count, or momentary press to advance to next menu.
Bot Filler Set_time: 20 s	Depress button for 3 seconds to change maximum dispense time to 10, 20 or 30 seconds, or momentary press to advance to next menu.
RUN CAL AGAIN?	Depress button 3 seconds to run calibration again, or momentary press to advance to next menu.

9. AIR FILTER CARE & USE:



DURAFLOW FILTRATION

Product Specification Sheet for bonded aluminum mesh panel filters

Designed for use in some or all of the following:

- Electrical Enclosures
- Central air conditioners
- Computer / Server/ Electronics Enclosures
- Electronic air cleaner prefilters
- Air Exhaust / Intake Systems
- Range Hoods
- Light Grease, low heat applications
- Wall Heaters
- Cab Heaters
- Ice Machines / Refrigeration
- Many other applications

Construction: material is comprised of bonded layers of expanded aluminum. The air entering side is several layers of coarse aluminum, subsequent layers become finer, terminating at the air exiting face with the finest layer.

Average Arrestance: 71.5% @ 350 fpm

Holding Capacity 90.8 g/ft

Resistance @ 350 fpm .04 w.c.

Resistance @ 350 fpm 2" : .06 w.c.

Maximum Temperature: 225 degrees F.

Frame Thickness Availability:

3/32" - 1/4" - 3/8" - 7/16"

Size Range:

Min Length/Width 2"

Max Length/Width (recommended) 64"

Custom shapes are available, please inquire.

Cleaning:

Filter may be cleaned with steam or hot water, with mild detergent. **DO NOT use High Pressure.**

Do not use strong Alkali Solution when cleaning any aluminum filter.

Long life expectancy and easy to clean.

Washable
Reusable
Recyclable



Duraflow Industries, Inc. - 15706 Garfield Rd - Wakeman, Ohio 44889

P: 866-488-9399 F:877-387-2356 E: sales@duraflowindustries.com www.duraflowindustries.com