

User Guide

Please read this instruction manual before using your water dispenser.

OASIS[®]

AQUARIUS[®]

**CONVERTIBLE BOTTLE
BOTTOM LOAD/POINT-OF-USE
WATER DISPENSER**

**MODEL BAEM1SHSK
506549C**

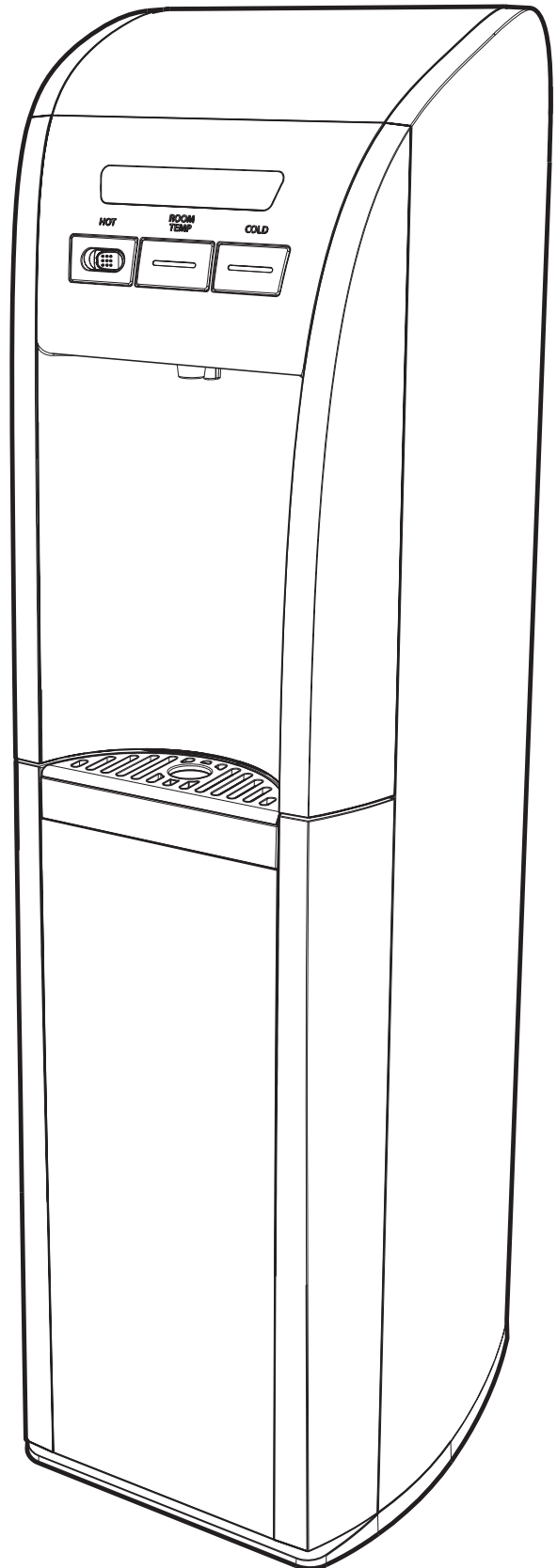


TABLE OF CONTENTS

IMPORTANT SAFEGUARDS	pg 3
GROUNDING INSTRUCTIONS	pg 3
TECHNICAL SPECIFICATIONS	pg 4
PRODUCT DIAGRAM	pg 4
INSTALLATION	Pg 5
PREPARING THE DISPENSER FOR BOTTLED WATER	pg 5
INITIAL SETUP FOR A BOTTLED WATER SYSTEM	pg 5
ADJUSTING THE SIPHON TUBE FOR SMALLER BOTTLES	pg 6
PREPARING THE WATER DISPENSER FOR USE AS A BOTTLE-LESS SYSTEM	pg 6
ADDING FILTRATION	pg 7-8
INITIAL SET-UP FOR A BOTTLE-LESS SYSTEM	pg 9
OPERATION	pg 9
CLEANING AND MAINTENANCE	pg 10-11
CLEARING THE IN-LINE STRAINER	pg 11
TROUBLESHOOTING	pg 12-13

This device complies with Part 15 of the FCC Rules.

Operation is subject to the following two conditions:

- (1) this device may not cause harmful interference.
- (2) this device must accept any interference received, including interferences that may cause undesired operation.

Purchasing an OASIS Water Dispenser was a GREAT choice!

This unique design offers the benefits of:

- No more struggling to lift heavy water bottles!
- No more spills during water bottle installation!
- No more unsightly bruised or battered recycled water bottles!
- Waterways stay cleaner between regular cleaning and maintenance!

Please read the enclosed operating instructions carefully and retain this booklet for future reference. We have carefully engineered your water dispenser to provide years of enjoyment and trouble-free operation.

IMPORTANT SAFEGUARDS

- This dispenser is equipped with a grounded power cord plug for your safety.
- Do not operate this (or any other appliance) with a damaged power cord. Be sure that the plug is fully inserted into the GFCI outlet and that no other appliance is plugged into the same outlet.
- Do not run the power cord over carpeting or other heat insulators, and do not cover it. Avoid laying the cord in high traffic areas, and never submerge it in water.
- Do not use an extension cord as it may overheat, increasing the risk of fire.
- If the supply cord is damaged, contact OASIS or a qualified electrician to replace it before plugging it in.
- Never turn the dispenser upside down. If the dispenser has been resting on its side for a long period of time, place the it in the upright position for approximately 12 hours before using.
- For use with up to 5 gallon (19 liter) water bottles or tap water source with optional filters
- Never allow children to dispense hot water without proper and direct supervision.
- Always use known and microbiologically-safe bottled or tap water source.
- Keep your dispenser in a dry place away from direct sunlight.
- Do not use this dispenser outdoors.
- Never put anything flammable close to the dispenser.
- Leave a minimum clearance of 6 in (15 cm) in back and on both sides of the dispenser for proper ventilation.
- Always install your dispenser on a level floor.
- Wait 5 minutes before restarting the dispenser after turning it off.
- Always unplug the dispenser before servicing.
- Regular cleaning of your dispenser is required to maintain your warranty.
- Please follow the cleaning instructions outlined in this manual and clean the dispenser every 6 months.

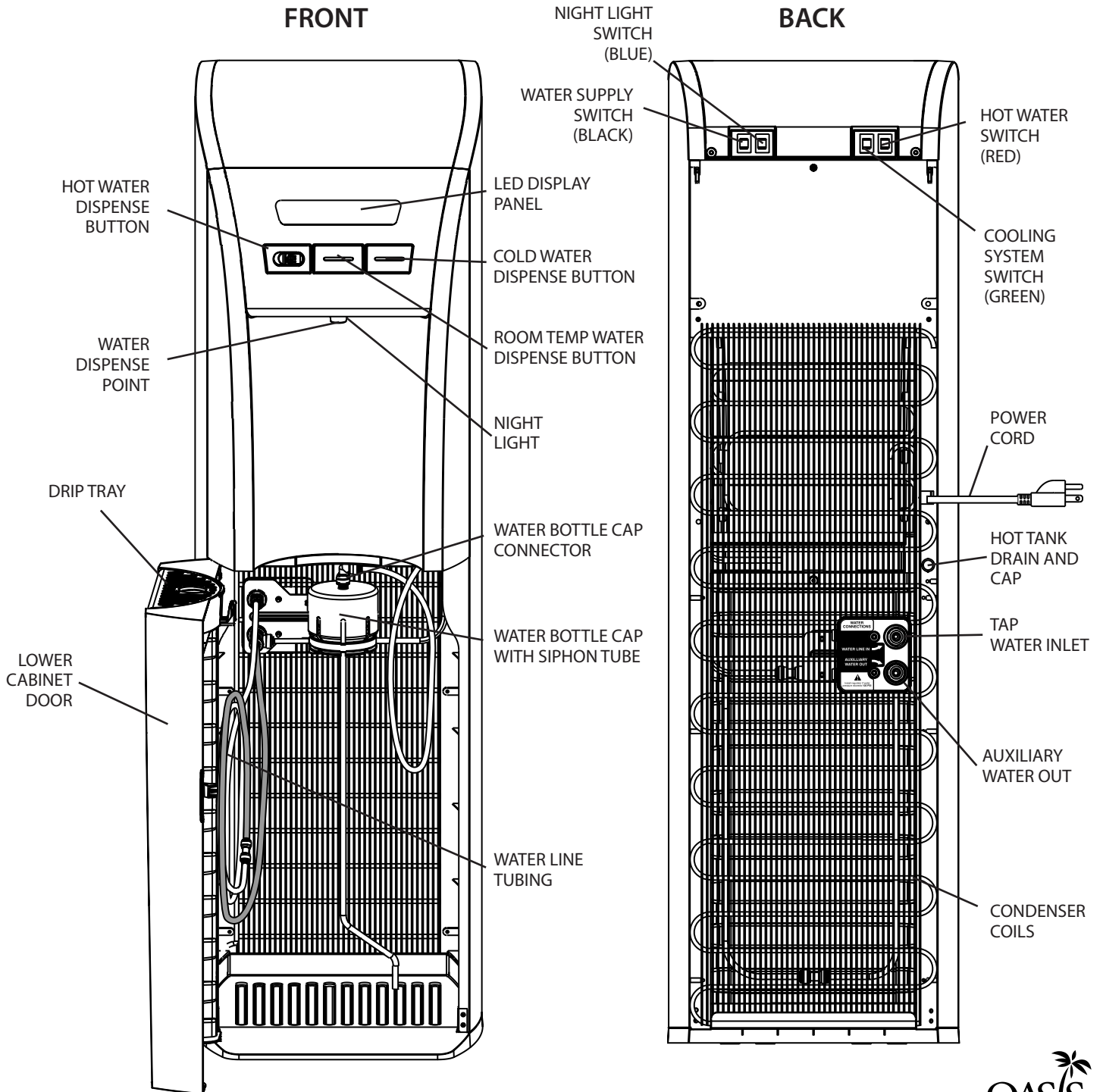
GROUNDING INSTRUCTIONS

- To provide additional protection from the risk of shock, this dispenser **MUST** be connected to a ground fault circuit interrupter (GFCI) outlet at all times. Use of an extension cord will void any warranties.
- This appliance must be grounded. Improper use of the grounding plug can result in a risk of electric shock, causing serious injury and possibly death.
- This appliance is equipped with a power cord having a grounding wire with a grounding plug and must be connected into a properly-grounded, polarized outlet.
- Consult a qualified electrician if the grounding instructions are not completely understood, or if doubt exists as to whether the appliance is properly grounded. If the wall outlet is a standard, 2-prong outlet, it is your personal responsibility and obligation to have it replaced with a properly-grounded, 3-prong wall outlet.
- Do not under any circumstances cut or remove the third (ground) prong from the power cord plug.
- Do not use an adapter plug with this appliance.

TECHNICAL SPECIFICATIONS

RATED VOLTAGE	115V - 60Hz	HOT WATER/HR	0.9 GAL (3.5 L)
HEATING POWER	450W	COLD WATER/HR	0.7 GAL (2.5 L)
COOLING POWER/CURRENT	90W/1.5A	HOT WATER TEMP. RANGE	165°F - 185°F (73.9°C - 85°C)
COOLANT	R134a 36g		

PRODUCT DIAGRAM



INSTALLATION

1. After unpacking, wipe dispenser with soft cloth.
2. Place the dispenser on a hard, flat surface, making certain it is level. The dispenser should not be placed near direct sunlight or any other source of heat.
3. It is best to place the dispenser in an area with good air circulation. Make sure there is at least 6 in (15cm) of clearance in back and on both sides of the dispenser for proper ventilation.

WARNING: The hot tank drain plug on the back of the dispenser may loosen during shipping. Securely tighten the drain plug before starting the dispenser. A loose drain plug may leak, causing floor damage.

PREPARING THE WATER DISPENSER FOR USE AS A BOTTLED WATER SYSTEM

This model is different from a traditional water dispenser with the water bottle upside down on the top. Instead, the water bottle is placed upright in the lower cabinet with a pump drawing the water up to the dispenser.

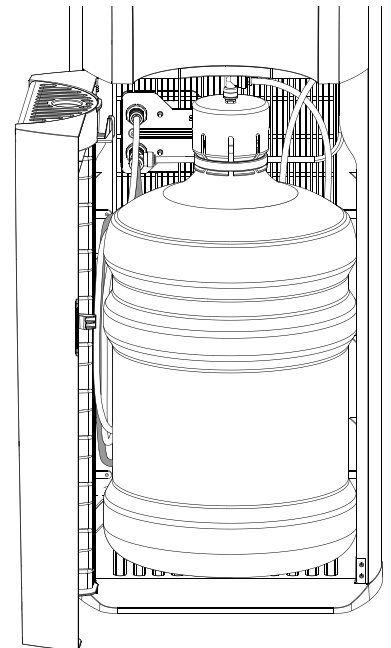
IMPORTANT:

- Clean the top of the water bottle before installing.
- Always wash your hands first before handling the water bottle cap.
- Avoid handling the siphon tube. If necessary, remove the tube, wash with soapy water and rinse thoroughly before reinstalling into the water bottle cap.
- Much like a new refrigerator with an ice maker or water dispenser, it is recommended to run 1 to 2 gal (3.8 to 7.6 L) of water through the system before the first use.

INITIAL SET-UP FOR A BOTTLED WATER SYSTEM

IMPORTANT: MAKE SURE THE DISPENSER IS NOT PLUGGED INTO AN ELECTRICAL OUTLET AND THAT BOTH THE COOLING SYSTEM AND HOT WATER SWITCHES ARE OFF.

1. Open the lower cabinet door.
2. Place full water bottle on floor in front of the dispenser. Remove the plastic cap from the mouth of the bottle.
3. Insert the siphon tube into the mouth of the water bottle and press the water bottle cap firmly over the mouth of the bottle.
4. Slide the siphon tube down until it reaches the bottom of the bottle.
5. Slide the bottle inside the cabinet and close the lower cabinet door.
6. Plug the dispenser into a grounded GFCI power outlet. The water pump will turn on for several minutes to fill the cold and hot tanks.
7. Once the pump has stopped, place a container under the water dispense point and press the hot water dispense button until water flows freely.
8. Turn ON both the cooling system and hot water switches located on the back of the dispenser. If you are not going to use hot water, turn the hot water switch OFF to conserve energy.
9. The first time the dispenser is used, you will have to wait at least 1 hour for cold water and 15 minutes for hot water.



NOTE: Please wait until the water pump stops running before using the dispenser. If the water tanks are not full, water will not dispense.

ADJUSTING THE SIPHON TUBE FOR SMALLER BOTTLES

Your new water dispenser features a water bottle cap with siphon tube that can accommodate various size bottles up to 5 gallons (19 liters) water bottle.

The water bottle cap and siphon tube assembly is shipped in it's default configuration for use with a standard 5 gallon (19 liter) bottle. For proper operation, make sure the collar of the water bottle cap is seated securely to the neck of the bottle. (Fig. 1)

To adjust the siphon tube length, hold the siphon tube cap and pull the stainless steel tube up or down. (Fig. 2)
Continue to the OPERATION step.

Figure 1

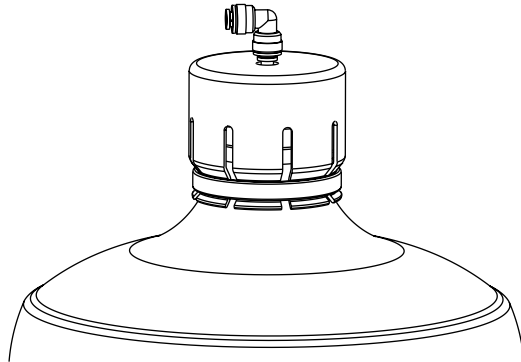
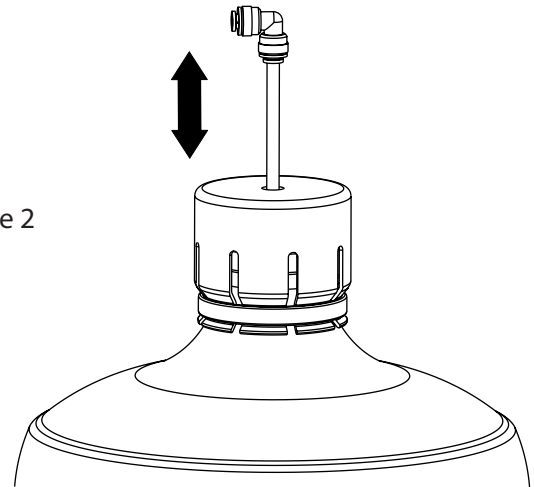


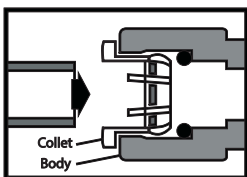
Figure 2



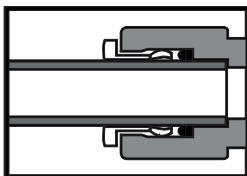
PREPARING THE WATER SYSTEM FOR USE AS A BOTTLE-LESS (DIRECT TO WATER LINE CONNECT) WATER DISPENSER

Your cooler can be used with a direct water line connection and filtration system. The filtration system can be installed prior to the water dispenser or can be installed inside the cabinet behind the door.

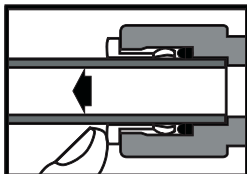
Fig. A WATER TUBE CONNECTION/ DISCONNECTION PROCEDURES



1. To connect, push tube through collet ring into body.

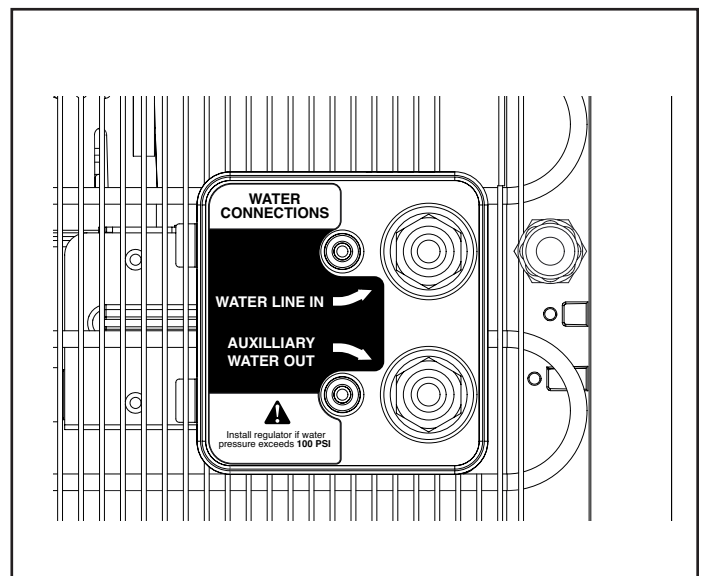


2. Tube must sit fully past o-ring.



3. To disconnect, hold collet ring against body and pull tube out.

NOTE: Do not use water that is microbiologically unsafe or of unknown quality without adequate disinfection before or after the system



To connect to a water line, locate the inlet on the rear of the unit and remove the plug from the push-to-connect fitting marked "Water Line In".

ADDING FILTRATION: EXTERNAL

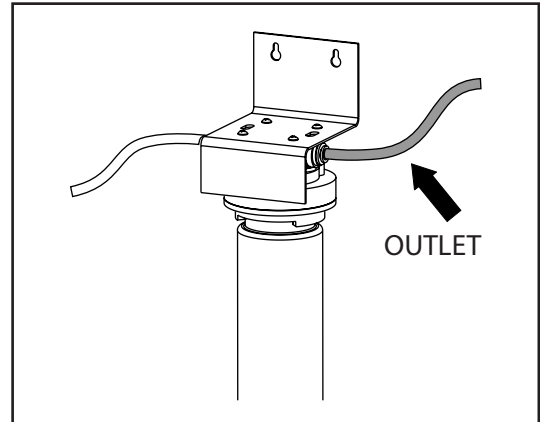
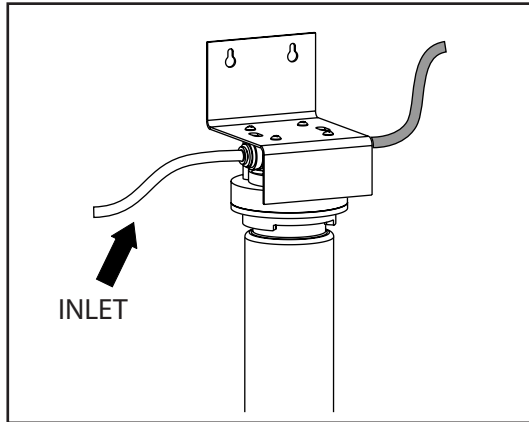


If inlet water pressure is greater than 100 psi, a pressure regulator must be installed prior to the water dispenser connection (not provided).



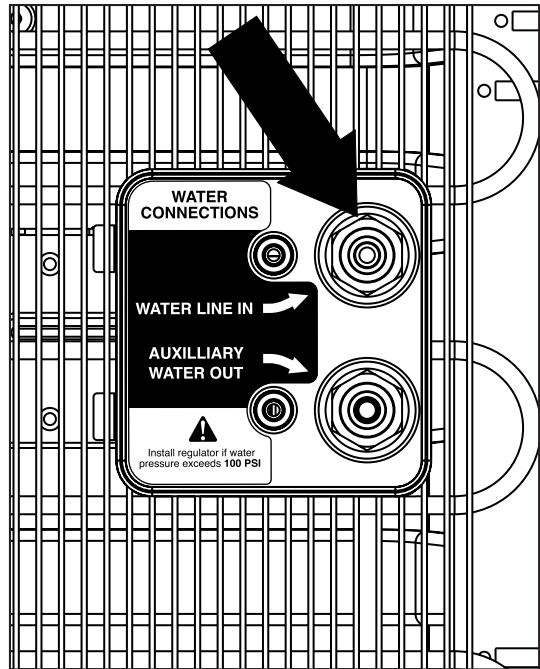
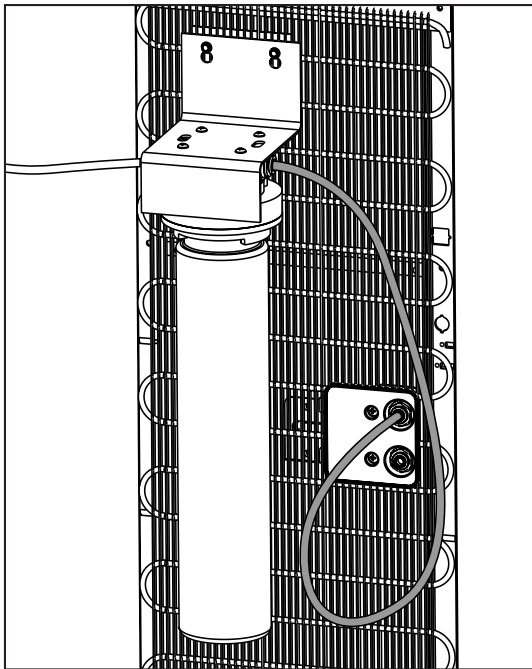
OASIS offers options for filtration to be added to your cooler. Contact OASIS for details.

Large, higher capacity filters will have to be mounted to the outside of the cooler.



1. The **white** tube must be connected to the filter system inlet.

2. The **blue** tube must be connected to the filter system outlet.



3. Mount the filter to the condenser coils on the back of the unit high enough that the filter can be removed.

4. Insert the filtered water out line (blue) into the Water Line In bulkhead fitting on the back of the unit.



Flush the new filters as per the manufacturers recommendation before installing them into the unit!



ADDING FILTRATION: INTERNAL

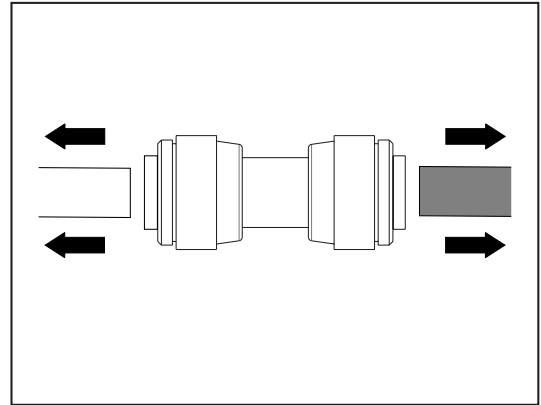
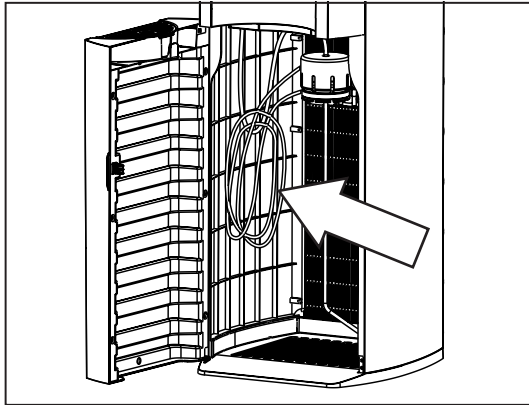


If inlet water pressure is greater than 100 psi, a pressure regulator must be installed prior to the water dispenser connection (not provided).



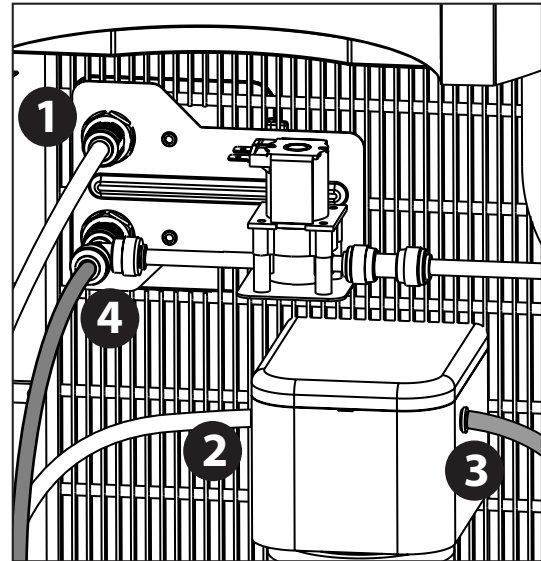
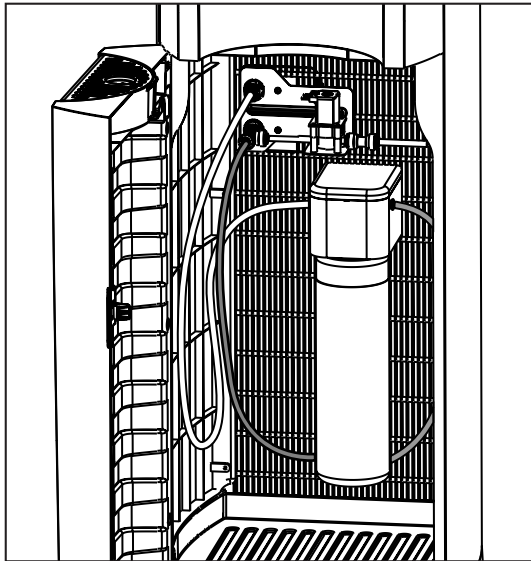
OASIS offers options for filtration to be added to your cooler. Contact OASIS for details.

Smaller filters can will have to be mounted inside the cooler.



1. If installing a filter, locate the coil of tubing inside the cabinet on the left side.

2. Disconnect and remove the push fit union fitting and use the tube ends to connect to the filter. (see Fig. A)



3. Mount the filter to the condenser coils inside of the unit high enough that the filter can be removed.

4. Connect water inlet line (white) (1) to the inlet fitting on the filter head (2). Connect water outlet line (blue) to the water outlet fitting on the filter head (3) and connect to the tee fitting (4).



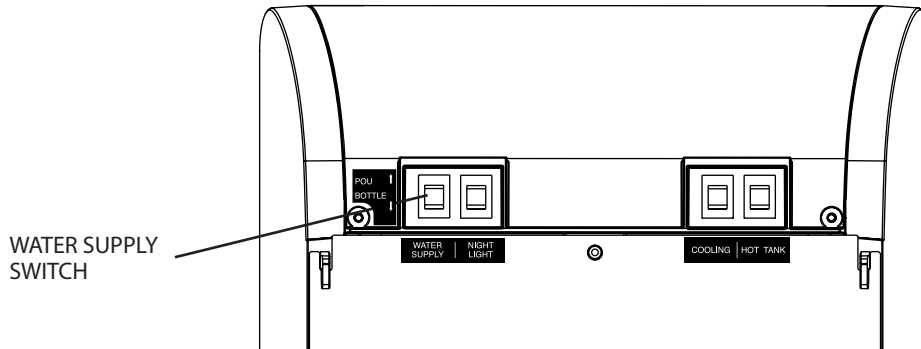
Flush the new filters as per the manufacturers recommendation before installing them into the unit!



INITIAL SET-UP FOR A BOTTLE-LESS SYSTEM

IMPORTANT! Make sure both cooling system and hot water switches are off.

1. Locate the water supply switch on the back of the unit near the top. Switch the unit to POU.
2. Turn on the water supply to the unit.







3. Plug the dispenser into a grounded GFCI power outlet. An internal solenoid valve will turn on for several minutes to fill the cold and hot tanks.
4. Once the solenoid valve has stopped, place a container under the water dispense point and press the hot water dispense button until water flows freely.
5. Turn ON both the cooling system and hot water switches located on the back of the dispenser. If you are not going to use hot water, turn the hot water switch OFF to conserve energy.
6. The first time the dispenser is used, you will have to wait at least 1 hour for cold water and 15 minutes for hot water.
7. Continue to the OPERATION step below.

NOTE: Please allow the several minutes for solenoid valve to operate and fill up the water tanks before using the dispenser. If the water tanks are not full, water will not dispense.

OPERATION

The water dispenser has 4 indicator lights on the front panel.

- When the  indicator light is on, the dispenser has power.
- When the  indicator light is on, the dispenser is heating water inside the heated water tank.
- When the  indicator light is on, the dispenser is in the process of cooling water inside the cooling tank.
- When the  indicator light is on, there is no water left in the water bottle and it needs to be replaced. Replace the water bottle, and close the door to reset the dispenser. The dispenser will work again and the indicator light will turn off. If set up as a bottle-less unit, then the indicator light means that the filter is becoming clogged and should be replaced or the water supply is turned off.

LED DISPLAY PANEL



CLEANING AND MAINTENANCE

For maximum efficiency and performance, your water dispenser requires cleaning on a regular basis (ie. every 6 months). Regular cleaning will prevent potential growth of bacteria and will maintain a hygienic environment. Never use harsh chemicals or abrasive cleaners.

Cleaning the Outside of the Water Dispenser

The outside of the dispenser may be wiped clean with a cleaning solution product or a mild soap and water mixture and a soft cloth. Rinse thoroughly with clean water and dry.

Cleaning the Drip Tray

The drip tray should be emptied and cleaned regularly to remove spotting and any mineral deposits.

To remove the drip tray, lift the tray upward, dislodging it from the guides. Drain and clean with cleaning solution or a mild soap and water mixture. For tough deposits, add vinegar and let it soak until the deposits loosen. Then wash, rinse and dry thoroughly. Replace the grill on the drip tray and slide it onto the guides.

Cleaning the Condenser

Vacuum or sweep away the dust from the condenser coils. This will improve cooling and efficiency.

Cleaning The Waterways

IMPORTANT: TURN OFF THE HOT AND COLD WATER SWITCHES BEFORE PERFORMING THIS PROCEDURE.

1. Make sure the power cord is plugged into an electrical outlet.
2. Open the lower cabinet door, pull the bottle forward out of the dispenser and place on the floor.
3. Remove the water bottle cap and siphon tube from the bottle and hang on the hook located on the inside of the lower cabinet door. For bottle-less cleaning, repeat this procedure but flip the Water Supply switch to Bottle during this procedure.
4. Drain the cold reservoir by placing a container under the water dispense point and pressing the cold dispense button until water stops flowing. Discard water. Note that the pump will continue to operate for approximately 30 seconds, followed by a flashing yellow bottle empty light.
5. Using a clean container, mix 8 cups (2 L) of white vinegar with 8 cups (2 L) of hot water. Place the container on the floor of the bottle storage compartment. Insert the siphon tube into the cleaning solution, keeping the container upright, and close the lower cabinet door. The water pump will start automatically and run for several minutes to draw the cleaning solution into the dispenser reservoirs. Once the pump has stopped, dispense 0.5 cups (0.12 L) of water from each of the 3 dispense buttons. Allow the cleaning solution to sit inside the dispenser for 20 minutes.
6. Place a container under the water dispense point and press the hot, room temp, and cold water dispense buttons until the cleaning solution stops flowing. Discard cleaning solution. The pump will continue to operate for approximately 30 seconds, followed by a flashing yellow bottle empty light.
7. Using a container, drain the remaining cleaning solution from the internal hot tank by unscrewing the hot tank drain cap located at the back of the dispenser. Discard the cleaning solution. Re-install the hot tank drain cap.
8. Flush out the cleaning solution by repeating Steps 5-7 using 16 cups (4 L) of fresh hot water (no cleaning solution). The cleaning process is now complete.
9. Replace the water bottle (See INITIAL SET-UP) or flip the switch behind the unit back to POU.

NOTE: To conserve energy when not using the dispenser for a long period of time, unplug the dispenser and drain the reservoirs.

CLEANING AND MAINTENANCE

Draining the Reservoirs

IMPORTANT: UNPLUG THE DISPENSER BEFORE PERFORMING THIS PROCEDURE.

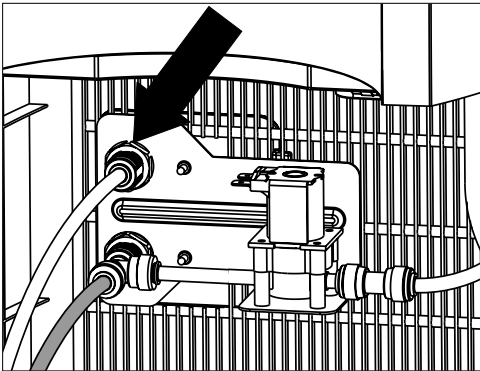
1. Dispense hot water from the water dispense point until the temperature drops to a safe level to avoid the risk of scalding.
2. Remove the water bottle or turn off the water supply.
3. Press all 3 dispense buttons until water no longer comes out.
IMPORTANT: Collect the water in a container, not the drip tray.
4. Place a container beneath the hot tank drain valve on the back of the dispenser.
5. Remove the hot tank drain cap from the hot tank drain valve, allowing the water to flow into the container.
6. Re-install the hot tank drain cap.

CLEARING THE WATER LINE STRAINER

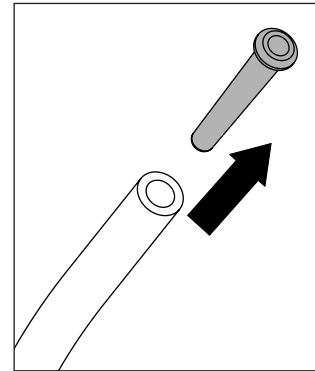
IMPORTANT: MAKE SURE THE WATER SUPPLY TO THE UNIT IS SHUT OFF BEFORE PROCEEDING.

At some point it may become necessary to unclog the strainer in the unit water line. If clogged, water will not be able to feed into the unit.

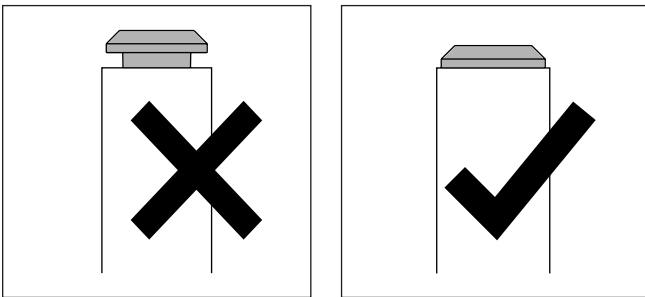
1. Shut off water supply to unit. Dispense 2 quarts of water into a container to relieve water pressure.
2. Pull white water line-in tubing (inside the cabinet) from the bulkhead fitting and remove the in-line strainer.



The in-line strainer is located inside the cooler and set into the water line-in tubing (white) in the top bulkhead fitting.



3. When clean, install the strainer back into the water line. Be sure to seat the strainer properly or the line will not be sealed properly and will leak.



IMPORTANT: The in-line strainer must be fully seated into the water line or else the line will leak. The in-line strainer has a tight fit and may be difficult to push back into the water line.

5. Turn the water supply to the unit back on.

TROUBLESHOOTING (BOTTLE)

PROBLEM	POSSIBLE CAUSE	SUGGESTION
Water does not dispense.	Dispenser is unplugged.	Plug the dispenser into a grounded GFCI power outlet.
	Main power supply is off.	Re-establish main power supply.
	The lower cabinet door is open.	Close door and allow time for pump to fill the reservoirs.
	The water bottle is empty.	Replace water bottle. (See INITIAL SETUP)
	The connection between the water bottle cap and the water bottle cap connector is not secure.	Properly secure connection.
	System has malfunctioned.	Remove water bottle and unplug the dispenser. Contact dealer.
Cold water does not dispense.	Cooling system switch is OFF.	Turn cooling switch ON.
	Too much cold water consumed in a short period of time.	Wait 15 minutes for the water to cool.
	The ventilation around the dispenser is insufficient.	Provide at least 6 in (15 cm) of clearance on all sides of the dispenser.
	System has malfunctioned.	Remove water bottle and unplug the dispenser. Contact dealer.
Hot water does not dispense.	Hot water switch is OFF.	Turn hot water switch ON.
	Too much hot water has been consumed in short period of time.	Wait 15 minutes for the water to heat.
	System has malfunctioned.	Remove water bottle and unplug the dispenser. Contact dealer.
Dispenser is noisy during operation.	The dispenser is not level.	Place the dispenser on a level, flat surface.
	Dispenser is touching other objects.	Move dispenser away from other objects.
Water leaks from the water dispense point.	The buttons are stuck down.	Check for foreign objects in the button area.
	The water dispense point has been damaged.	Contact OASIS Customer Service. 1-800-646-2747
Water is dripping out of the dispenser and onto the floor.	The hot tank drain cap is not fastened properly.	Tighten the drain cap. If the seal inside the drain cap is torn or damaged then replace with a new one.
	The connection between the water bottle cap and the water bottle cap connector is not secure.	Properly secure connection.
	The hot or cold water tank is leaking.	Remove water bottle and unplug the dispenser. Contact dealer.
The water being dispensed has a strange taste.	This is not uncommon with new dispensers.	The taste usually goes away after the first bottle has been used.
	Dispenser requires cleaning.	Clean the siphon tube and waterways. (See CLEANING AND MAINTENANCE)

TROUBLESHOOTING (BOTTLE-LESS)

PROBLEM	POSSIBLE CAUSE	SUGGESTION
Water does not dispense.	Dispenser is unplugged.	Plug the dispenser into a grounded GFCI power outlet.
	Main power supply is off.	Re-establish main power supply.
	The lower cabinet door is open.	Close door and allow time for the solenoid valve to fill the reservoirs.
	Strainers are clogged.	Remove strainers and clean.
	Water supply switch is in the wrong position.	Make sure that the water supply switch is set to the correct water supply position.
Cold water does not dispense.	Cooling system switch is OFF.	Turn cooling switch ON.
	Too much cold water consumed in a short period of time.	Wait 15 minutes for the water to cool.
	The ventilation around the dispenser is insufficient.	Provide at least 6 in (15 cm) of clearance on all sides of the dispenser.
	System has malfunctioned.	Turn off water supply valve and unplug the dispenser. Contact dealer.
	Water supply switch is in the wrong position.	Make sure that the water supply switch is set to the correct water supply position.
Hot water does not dispense.	Hot water switch is OFF.	Turn hot water switch ON.
	Too much hot water has been consumed in short period of time.	Wait 15 minutes for the water to heat.
	System has malfunctioned.	Turn off water supply valve and unplug the dispenser. Contact dealer.
	Water supply switch is in the wrong position.	Make sure that the water supply switch is set to the correct water supply position.
Dispenser is noisy during operation.	The dispenser is not level.	Place the dispenser on a level, flat surface.
	Dispenser is touching other objects.	Move dispenser away from other objects.
Water leaks from the water dispense point.	The buttons are stuck down.	Check for foreign objects in the button area.
	The water dispense point has been damaged.	Contact OASIS Customer Service. 1-800-646-2747
Water is dripping out of the dispenser and onto the floor.	The hot tank drain cap is not fastened properly.	Tighten the drain cap. If the seal inside the drain cap is torn or damaged then replace with a new one.
	The hot or cold water tank is leaking.	Turn off water supply valve and unplug the dispenser. Contact dealer.
The water being dispensed has a strange taste.	This is not uncommon with new dispensers.	The taste usually goes away after the first several gallons have been used.
	Dispenser requires cleaning.	Clean the waterways. (See CLEANING AND MAINTENANCE)
	Filter is old or water supply is tainted.	Replace filter and check water supply line for taste.



**CONVERTIBLE BOTTLE
BOTTOM LOAD/
POINT-OF-USE
WATER DISPENSER**

Oasis International

222 East Campus View Blvd. | Columbus, Ohio 43235 U.S.A.

1-800-646-2747 | info@oasiscoolers.com | www.oasiscoolers.com

OASIS and Aquarius are registered trademarks of LVD Acquisition, LLC dba OASIS International

©2019 LVD Acquisition, LLC