



CONVERSION KIT NNEBFPG 507124 ■ Contactless, Non-Refrigerated Cooler to Bottle Filler

Retrofit existing Oasis P*AC series watercoolers! Retrofits to both single and split level models. NNEBFEG uses the same rough-in opening, piping and electrical system already in place – making this retrofit quick and easy!

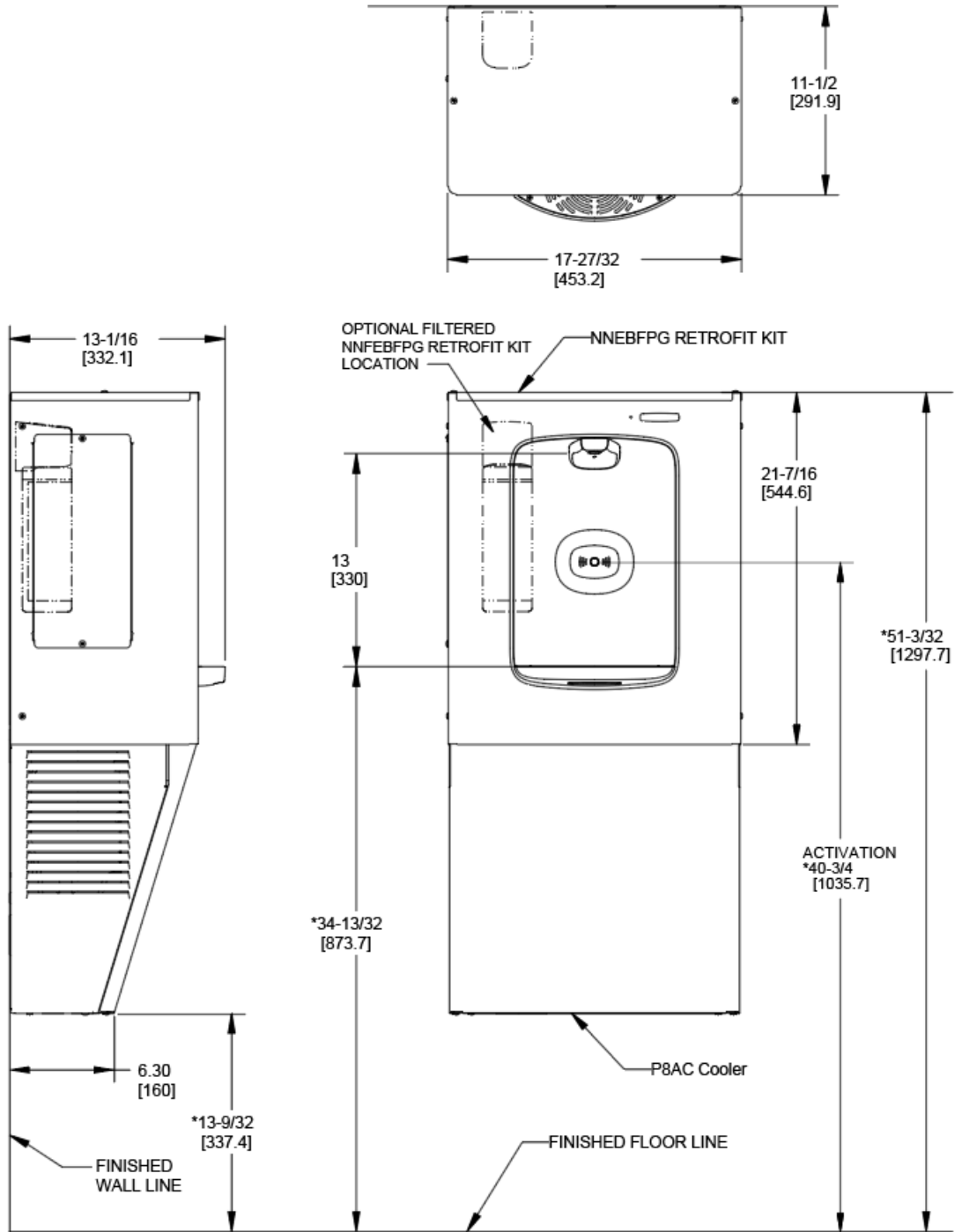
NNEBFEG is a surface mount unit that delivers chilled drinking water. This refrigerated bottle filler is perfect for those high traffic areas. With a contactless, touch-free activation – there are no fears of cross-contamination.

The Bottle Counter conveniently displays the number of times the unit has been used, encouraging the refill of sports bottles.

Key bottle filler moulded components shall contain Freshield, which utilises a silver-based antimicrobial compound that reduces the growth of micro-organisms and mildew to protect the surfaces from discolouration, odours and degradation. Basin is designed to eliminate splashing and standing water.



MODEL CODE	NNEBFPG 507124
ACTIVATION	Contactless (Infrared sensor)
FILTRATION	Green Filter (optional), Built-in 100 micron strainer
AUTO-OFF WATER FLOW	No
DRAINAGE TYPE	Built in drain, Removable drip tray
EXTERIOR	Antimicrobial ABS Plastic, Brushed Stainless Steel
CHASSIS	Heavy Duty Galvanised Steel
DIMENSIONS	960.2(H) x 453.2(W) x 331.8(D)
ALCOVE HEIGHT	330 mm
NET WEIGHT	10 kg
POWER SUPPLY	220-240V, 50/60 Hz
COOLING PERFORMANCE	Utilizes existing refrigeration system if applicable
FULL LOAD AMPS	0.1A
RATED WATTS	7 W
ENERGY SYSTEM	-
COUNTRY OF ORIGIN	Mexico
CERTIFICATIONS	ANSI/NSF 61, CABO/ANSI A117.1, ADA, CE (LVD, EMC, RoHS), WRAS
WARRANTY	1 Year



www.oasis.ie
www.oasiscoolers.com
info@oasis.ie

OASIS IRELAND
Bunree Industrial Estate, Ballina,
Co. Mayo, F26 D5R3, Ireland.
+353 96 71222

OASIS POLAND
ul. Gutenberga 20,
44-164, Gliwice, Poland
+48 32 332 65 01