



VERSAFILLER PWEBFY RETROFIT KIT.

Contactless, Non-Refrigerated
Hydration Station Combo

Versafiller PWEBFY retrofits perfectly on top of your existing OASIS Versacooler drinking fountain

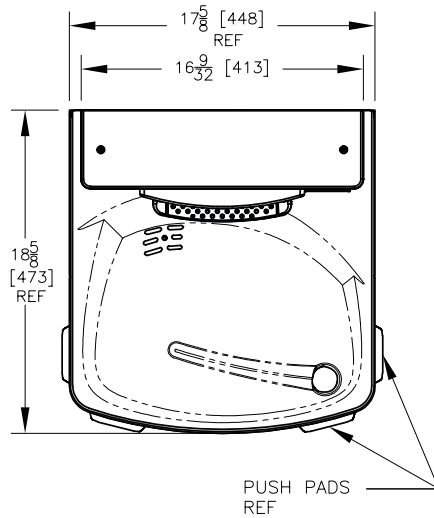
The bottle filler includes an electronic sensor for a contactless (touch free) activation and a 30 second shut off timer. The Bottle Counter conveniently displays the number of times the unit has been used, encouraging the refill of sports bottles.

Key Versafiller moulded components shall contain Freshield, which utilises a silver-based antimicrobial compound that reduces the growth of micro-organisms and mildew to protect the surfaces from discolouration, odours and degradation.

Suitable for public building, gymnasiums, sports complexes, hospitals, schools, and offices.



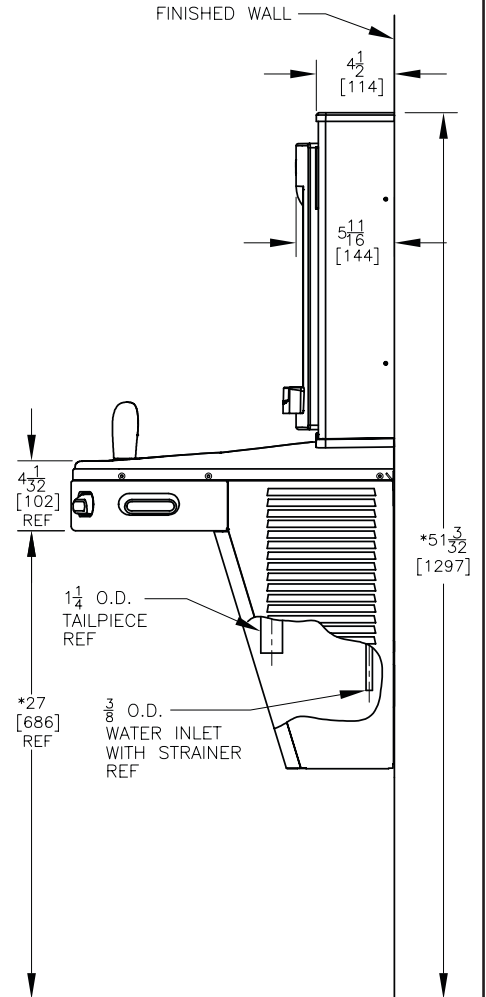
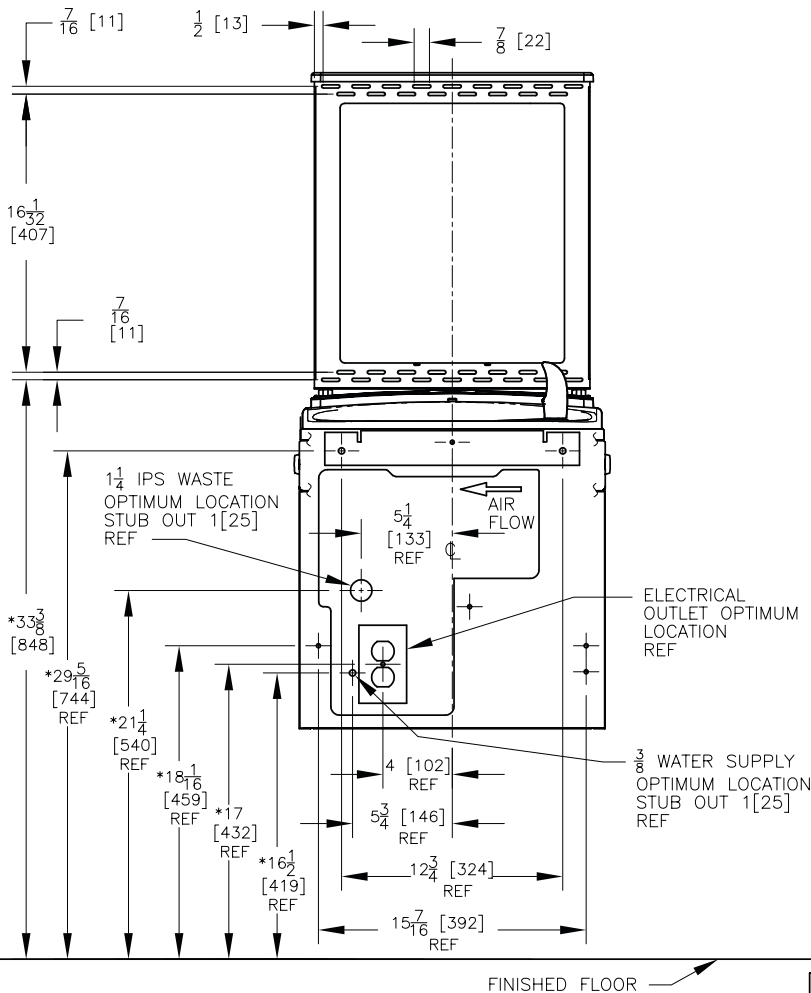
MODEL CODE	PWEBFY
ACTIVATION	Contactless (Infrared sensor)
SENSOR COVERAGE	Up to 5cm (approx.)
FILTRATION	Green Filter (optional), Built-in 100 micron strainer
DISINFECTION	Quasar UVC-LED (Optional) (PWEBQY)
AUTO-OFF WATER FLOW	Yes
DRAINAGE TYPE	Built in drain, Removable drip tray
EXTERIOR CHASSIS DIMENSIONS	Antimicrobial ABS Plastic, Brushed Stainless Steel Heavy Duty Galvanised Steel 480(H) x 413(W) x 144(D)
ALCOVE HEIGHT	250 mm
NET WEIGHT	5 kg
POWER SUPPLY	220-240V, 50/60 Hz
COOLING PERFORMANCE	Non-Refrigerated
FULL LOAD AMPS	0.1A
RATED WATTS	7 W
ENERGY SYSTEM	-
COUNTRY OF ORIGIN	Mexico
CERTIFICATIONS	ANSI/NSF 61, CABO/ANSI A117.1, ADA, CE (LVD, EMC, RoHS) , WRAS
WARRANTY	1 Year



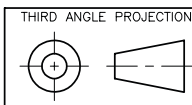
NOTES:

- *1. RECOMMENDED ADULT BARRIER FREE HEIGHT INSTALLATION SHOWN. REDUCE HEIGHT BY 3 INCHES FOR INSTALLATIONS USED PRIMARILY BY CHILDREN AGES 12 AND YOUNGER. UNIT SHALL ALSO HAVE A MINIMUM CLEAR FLOOR SPACE 30[760] BY 48[1220]. ADJUST VERTICAL DIMENSIONS AS REQ'D TO COMPLY WITH FEDERAL, STATE, AND LOCAL CODES.
- 2. 115v GROUNDED NORTH AMERICAN DUPLEX RECEPTACLE REQUIRED. THIS DRINKING WATER COOLER IS INTENDED TO BE CONNECTED TO A 20A MINIMUM GROUND FAULT CIRCUIT INTERRUPTING (GFCI) DEVICE TO MEET UL REQUIREMENTS.
- 3. ALL DIMENSIONS ARE IN INCHES. DIMENSIONS IN BRACKETS [] ARE IN MILLIMETERS.

Rough-in drawing is shown with a PG8AC unit in order to show the proper height of the unit when retrofitted to the parent unit and height from the floor in order to comply with ADA standards. THE PG8AC UNIT IS NOT INCLUDED WITH THE PURCHASE OF THE PWEBF.



FINISHED FLOOR



ROUGHING-IN AND DIMENSIONAL DRAWING



www.oasis.ie
www.oasisbottlefillers.com
info@oasis.ie

OASIS IRELAND
Bunree Industrial Estate, Ballina,
Co. Mayo, F26 D5R3, Ireland.
+353 96 71222

OASIS POLAND
ul. Gutenberga 20,
44-164, Gliwice, Poland
+48 32 332 65 01

