



AQUAPOINTE PWSMSBF ■ Manual, Non-Refrigerated Bottle Filler

**AquaPointe PWSMSBF is a compact bottle filler.
Ideal as a surface mount or countertop solution!**

AquaPointe PWSMSBF delivers ambient drinking water. This surface mount, bottle filler is manually activated with a push of the touch-button.

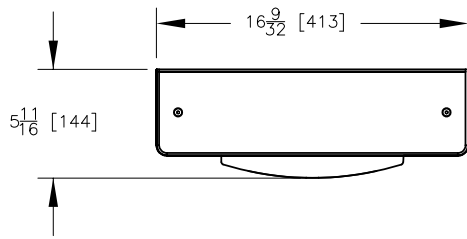
Key AquaPointe moulded components shall contain Freshield, which utilises a silver-based antimicrobial compound that reduces the growth of micro-organisms and mildew to protect the surfaces from discolouration, odours and degradation.

Complies with ANSI A117.1 and ADA. Shall comply with all relevant CE directives (LVD , EMC, RoHS). Shall comply with ANSI/NSF 61.

Suitable for public building, gymnasiums, sports complexes, hospitals, schools, and offices.

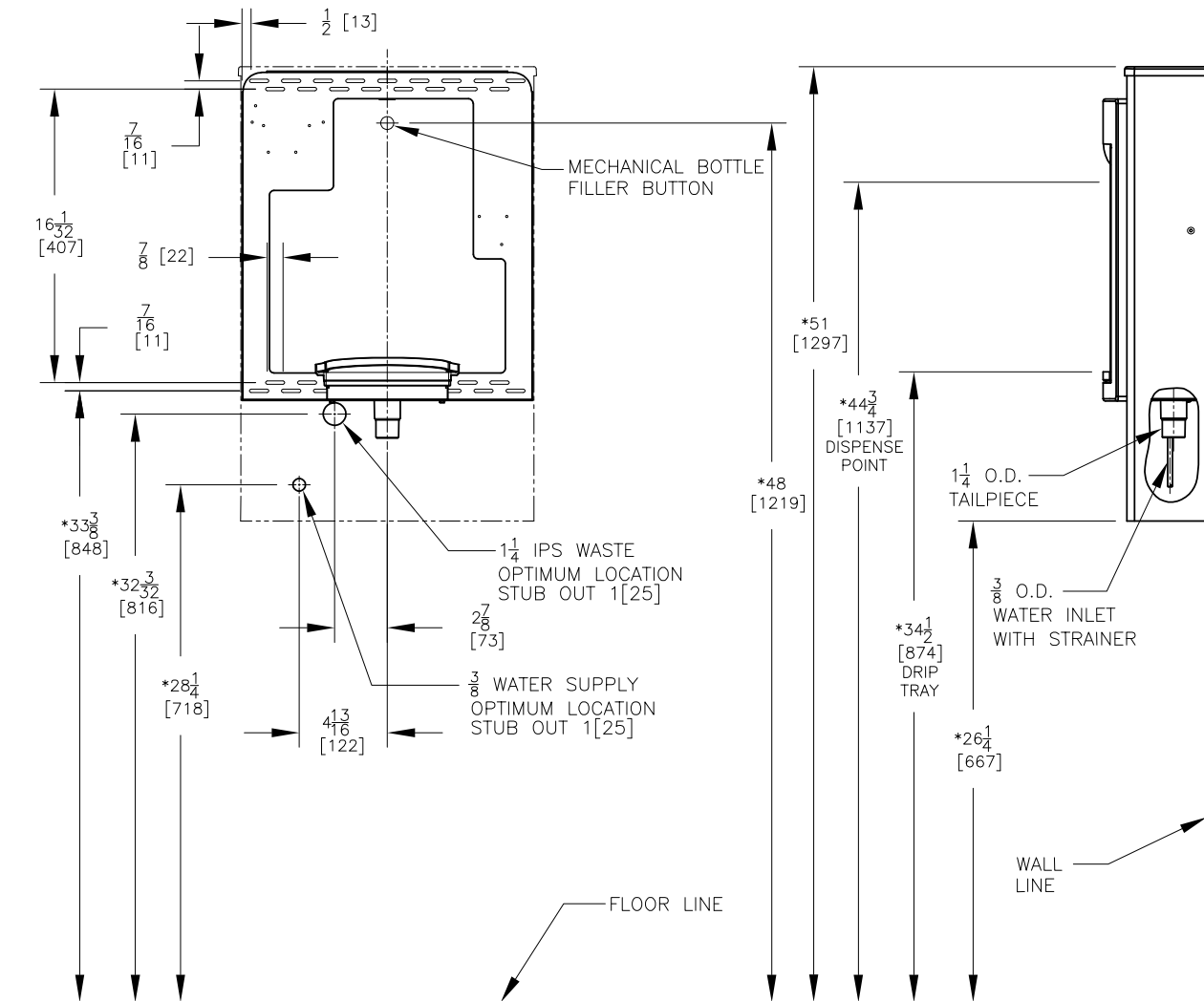


MODEL CODE	PWSMSBF
ACTIVATION	Manual (Touch-Button)
FILTRATION	Green Filter (optional), Built-in 100 micron strainer
AUTO-OFF WATER FLOW	No
DRAINAGE TYPE	Built in drain, Removable drip tray
EXTERIOR CHASSIS	Antimicrobial ABS Plastic, Brushed Stainless Steel
DIMENSIONS	Heavy Duty Galvanised Steel
ALCOVE HEIGHT	630(H) x 413(W) x 144(D) mm
NET WEIGHT	265 mm
POWER SUPPLY	5 kg
COOLING PERFORMANCE	-
FULL LOAD AMPS	Non-Refrigerated
RATED WATTS	-
COUNTRY OF ORIGIN	-
CERTIFICATIONS	Mexico
WARRANTY	ANSI/NSF 61, CABO/ANSI A117.1, ADA, CE (LVD, EMC, RoHS), WRAS
	1 Year

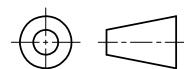


NOTES:

- * 1. RECOMMENDED ADULT HEIGHT INSTALLATION SHOWN. ADJUST VERTICAL DIMENSIONS AS REQUIRED TO COMPLY WITH FEDERAL, STATE AND LOCAL CODES.
- 2. STOP VALVE, TRAP, PIPE CONNECTOR TO WASTE LINE AND $\frac{3}{8}$ COMP. FITTING NOT PROVIDED.
- 3. ALL DIMENSIONS ARE IN INCHES. DIMENSIONS IN BRACKETS [] ARE IN MILLIMETERS.



THIRD ANGLE PROJECTION



ROUGHING-IN AND DIMENSIONAL DRAWING



www.oasis.ie
www.oasisbottlefillers.com
info@oasis.ie

OASIS IRELAND
Bunree Industrial Estate, Ballina,
Co. Mayo, F26 D5R3, Ireland.
+353 96 71222

OASIS POLAND
ul. Gutenberga 20,
44-164, Gliwice, Poland
+48 32 332 65 01