



AQUAPOINTE PWSMEBFY ■ Contactless, Non-Refrigerated Bottle Filler

AquaPointe PWSMEBFY is a compact bottle filler. Ideal as a surface mount or countertop solution!

AquaPointe PWSMEBFY delivers ambient drinking water. This surface mount, bottle filler includes an electronic sensor for a contactless (touch free) activation and a 30 second shut off timer. The Bottle Counter conveniently displays the number of times the unit has been used, encouraging the refill of sports bottles.

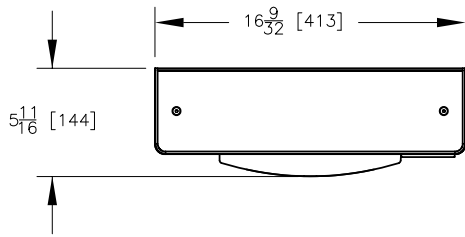
Key AquaPointe moulded components shall contain Freshield, which utilises a silver-based antimicrobial compound that reduces the growth of micro-organisms and mildew to protect the surfaces from discolouration, odours and degradation.

Complies with ANSI A117.1 and ADA. Shall comply with all relevant CE directives (LVD , EMC, RoHS). Shall comply with ANSI/NSF 61.

Suitable for public building, gymnasiums, sports complexes, hospitals, schools, and offices.

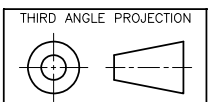
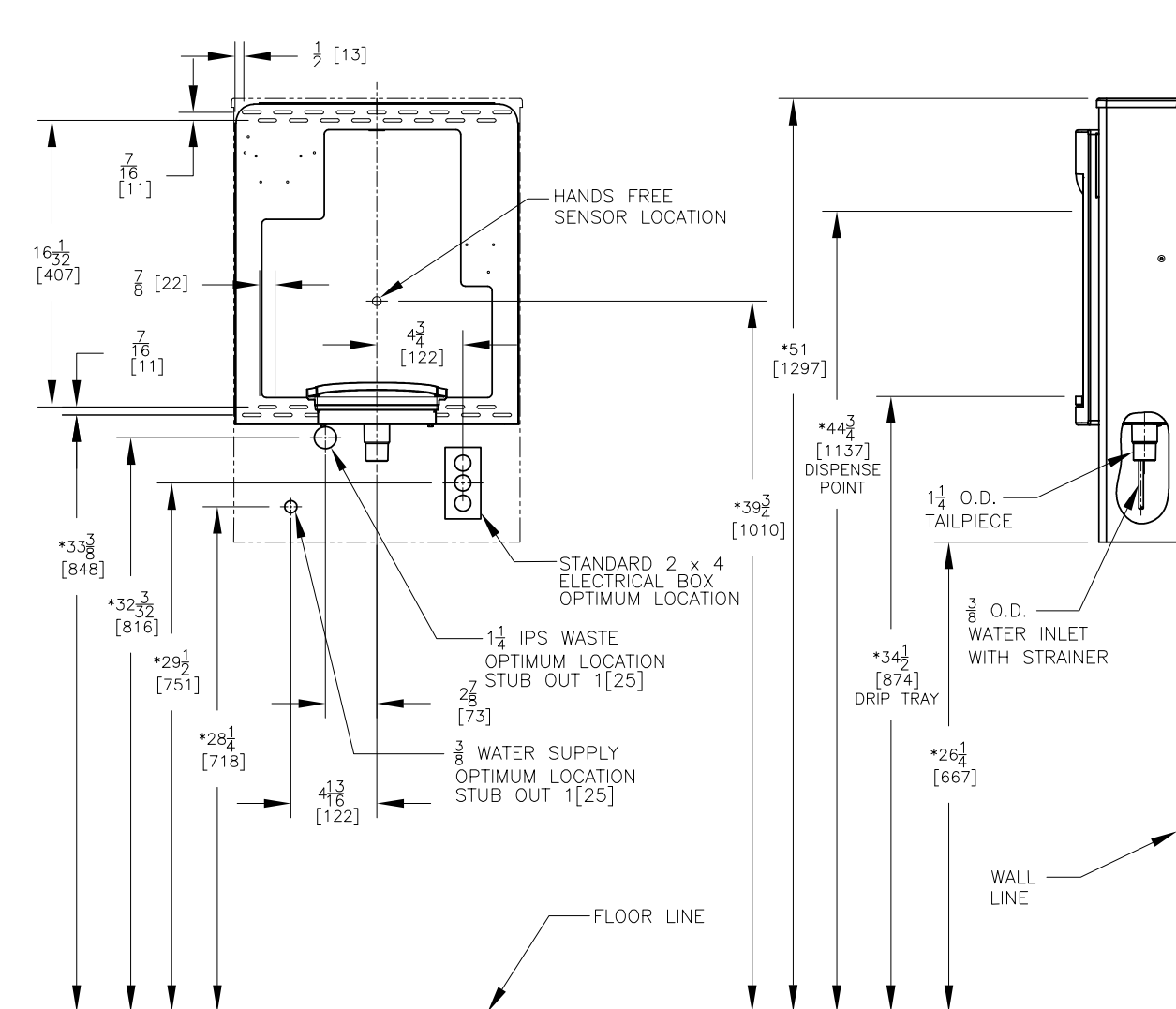


MODEL CODE	PWSMEBFY
ACTIVATION	Contactless (Infrared sensor)
SENSOR COVERAGE	Up to 5cm (approx.)
FILTRATION	Green Filter (optional), Built-in 100 micron strainer
AUTO-OFF WATER FLOW	Yes
DRAINAGE TYPE	Built in drain, Removable drip tray
EXTERIOR CHASSIS	Antimicrobial ABS Plastic, Brushed Stainless Steel
DIMENSIONS	Heavy Duty Galvanised Steel
ALCOVE HEIGHT	630(H) x 413(W) x 144(D) mm
NET WEIGHT	265 mm
POWER SUPPLY	5 kg
COOLING PERFORMANCE	220-240V, 50/60 Hz
FULL LOAD AMPS	Non-Refrigerated
RATED WATTS	0.1A
COUNTRY OF ORIGIN	7 W
CERTIFICATIONS	Mexico
WARRANTY	ANSI/NSF 61, CABO/ANSI A117.1, ADA, CE (LVD, EMC, RoHS), WRAS
	1 Year



NOTES:

- * 1. RECOMMENDED ADULT HEIGHT INSTALLATION SHOWN. ADJUST VERTICAL DIMENSIONS AS REQUIRED TO COMPLY WITH FEDERAL, STATE AND LOCAL CODES.
- 2. STOP VALVE, TRAP, PIPE CONNECTOR TO WASTE LINE AND $\frac{3}{8}$ COMP. FITTING NOT PROVIDED.
- 3. ALL DIMENSIONS ARE IN INCHES. DIMENSIONS IN BRACKETS [] ARE IN MILLIMETERS.



ROUGHING-IN AND DIMENSIONAL DRAWING



www.oasis.ie
www.oasisbottlefillers.com
info@oasis.ie

OASIS IRELAND
Bunree Industrial Estate, Ballina,
Co. Mayo, F26 D5R3, Ireland.
+353 96 71222

OASIS POLAND
ul. Gutenberga 20,
44-164, Gliwice, Poland
+48 32 332 65 01

