



FREE STANDING PCP10EBFY ■ Contactless, Refrigerated
FREE STANDING PCPEBFY ■ Contactless, Non-Refrigerated
 Bottle Filler

Free Standing PCP10EBFY

Delivering 75LPH of 10°C water at 21°C ambient.
 Cooling system uses R-134a refrigerant.

Free Standing PCPEBFY

Delivering ambient drinking water.

These free standing bottle fillers include an electronic sensor for a contactless (touch free) activation and a 30 second shut off timer.

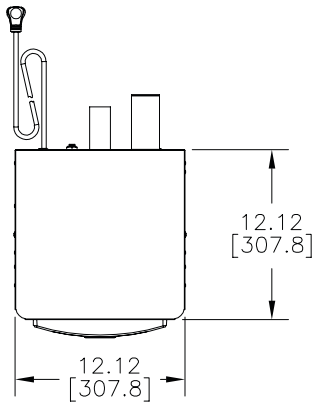
Moulded components shall contain Freshield, which utilises a silver-based antimicrobial compound that reduces the growth of micro-organisms and mildew to protect the surfaces from discolouration, odours and degradation.

Complies with ANSI A117.1 and ADA. Shall comply with all relevant CE directives (LVD , EMC, RoHS). Shall comply with ANSI/NSF 61.

Suitable for public building, gymnasiums, sports complexes, hospitals, schools, and offices.



MODEL CODE	PCP10EBFY	PCPEBFY
ACTIVATION	Contactless (Infrared sensor)	
SENSOR COVERAGE	Up to 5cm (approx.)	
FILTRATION	Green Filter (optional), Built-in 100 micron strainer	
DISINFECTION	Quasar UVC-LED (optional)(PCP10EBQY)	-
AUTO-OFF WATER FLOW	Yes	
DRAINAGE TYPE	Built in drain, Removable drip tray	
EXTERIOR	Antimicrobial ABS Plastic, Brushed Stainless Steel	
CHASSIS	Heavy Duty Galvanised Steel	
DIMENSIONS	1262(H) x 304(W) x 339(D)	
ALCOVE HEIGHT	265 mm	
NET WEIGHT	33.6 kg	16.8kg
POWER SUPPLY	220-240V, 50/60 Hz	
COOLING PERFORMANCE	75 LPH Rated Capacity & Base Rate (10°C in 21°C amb. temp.)	Non-Refrigerated
FULL LOAD AMPS	2.6A	0.1A
RATED WATTS	500 W	7 W
ENERGY SYSTEM	Refrigeration is on only when in use or if water temp increases during long period of standby.	-
COUNTRY OF ORIGIN	Mexico	
CERTIFICATIONS	ANSI/NSF 61, CABO/ANSI A117.1, ADA, CE (LVD, EMC, RoHS), WRAS	
WARRANTY	1 Year	



PLAN VIEW

ALL DIMENSIONS ARE IN INCHES.

DIMENSIONS IN BRACKETS [] ARE IN MILLIMETERS.

ALLOW 4" [102] FOR VENTILATION AT THE REAR OF THE WATER COOLER AND THE SIDES IF SET IN AN ALCOVE OR NEAR A CORNER.

