

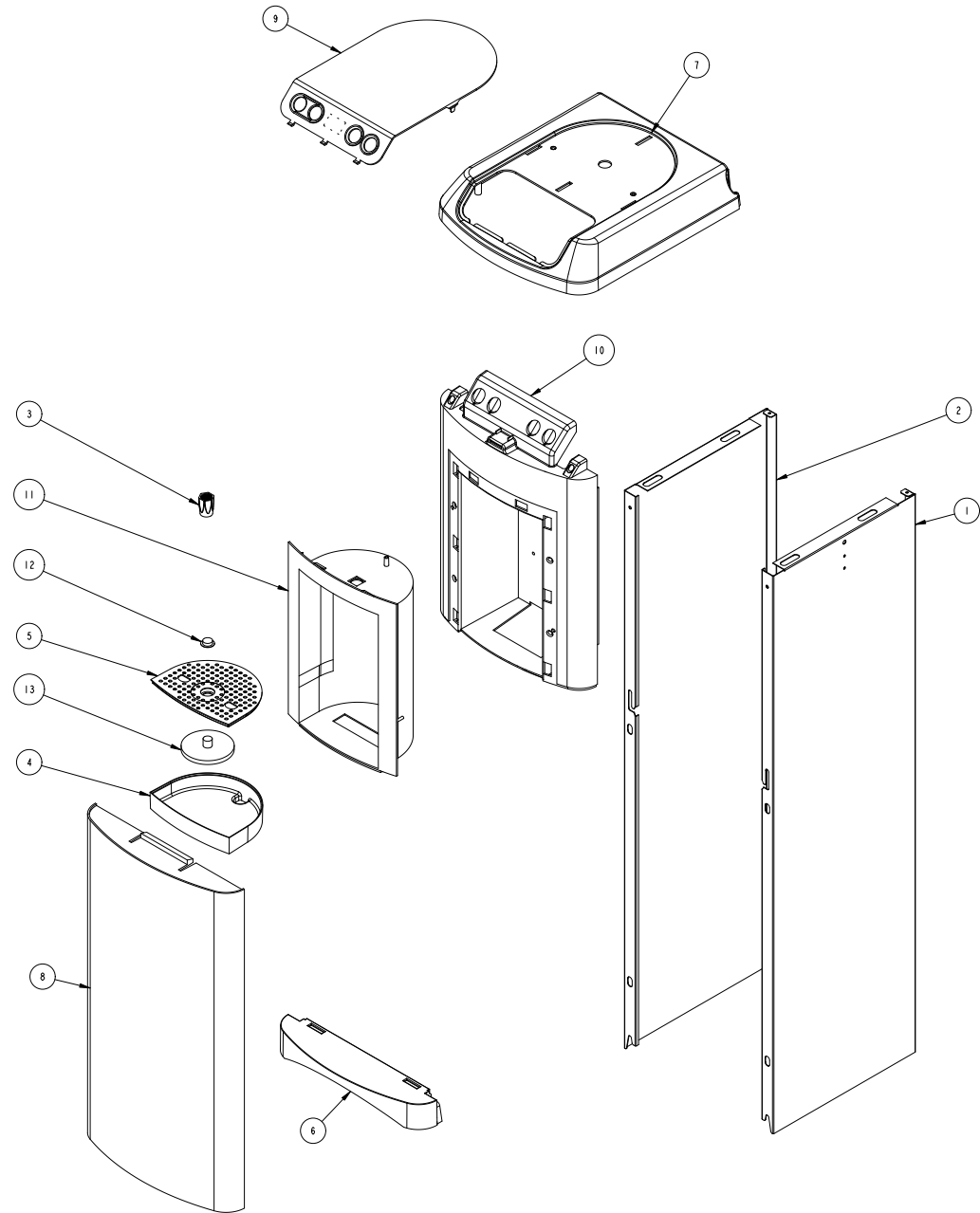


## Illustrated Parts Breakdown (IPB)

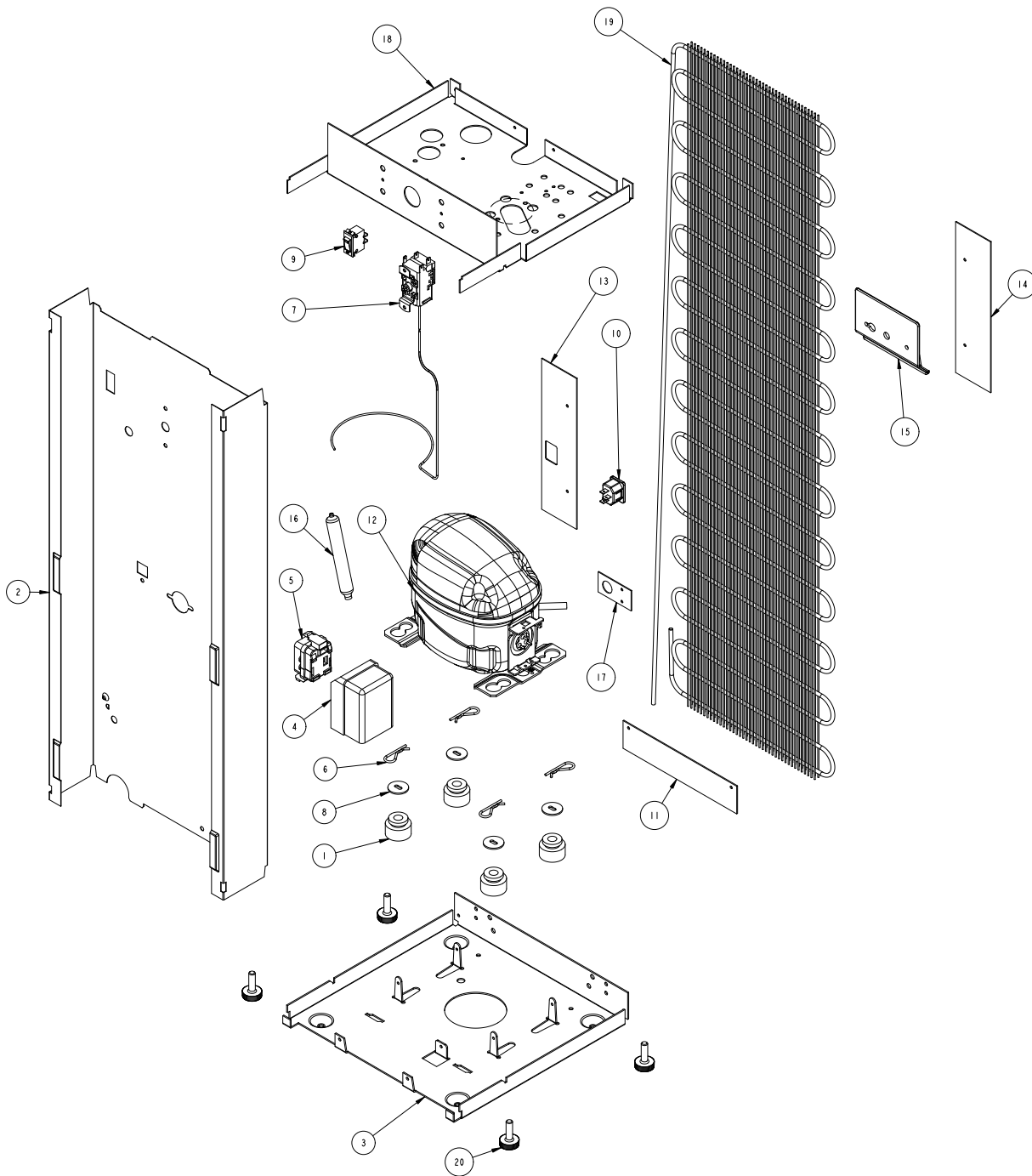
### P1PVHSKY

|          |               |
|----------|---------------|
| Sheet 1. | Cabinetry     |
| Sheet 2. | Chassis       |
| Sheet 3. | Control Panel |
| Sheet 4. | Cold Tank     |
| Sheet 5. | Hot Tank      |
| Sheet 6. | Water Circuit |

| ITEM | DESCRIPTION         | COLOURS    |            |            |
|------|---------------------|------------|------------|------------|
|      |                     | SILVER     | CREAM      | GREY       |
| 1    | SIDE PANEL, RH      | 034707-001 | 034707-001 | 034707-001 |
| 2    | SIDE PANEL, LH      | 034708-001 | 034708-001 | 034708-001 |
| 3    | SPOUT               | 034625-002 | 034625-002 | 034625-002 |
| 4    | DRIP TRAY           | 034626-001 | 034626-001 | 034626-001 |
| 5    | DRIP TRAY GRILLE    | 034668-001 | 034627-002 | 034627-003 |
| 6    | TRIM, BASE          | 034629-001 | 034629-001 | 034629-001 |
| 7    | TOP                 | 034634-001 | 034634-001 | 034634-001 |
| 8    | DOOR                | 034636-001 | 034637-002 | 034637-003 |
| 9    | FASCIA INSERT       | 034628-201 | 034628-203 | 034628-204 |
| 10   | FRONT PANEL         | 034639-001 | 034642-002 | 034642-003 |
| 11   | INSERT, FRONT PANEL | 034643-001 | 034643-001 | 034643-001 |
| 12   | FLOAT INDICATOR - A | 040090-001 | 040090-001 | 040090-001 |
| 13   | FLOAT INDICATOR - B | 040090-002 | 040090-002 | 040090-002 |



|           |                               |        |   |
|-----------|-------------------------------|--------|---|
| TITLE:    | CABINERY (PIPVHŠK & PIPVECHS) |        |   |
| DATE:     | 21JUL16                       | SHEET: | - |
| DRAWN BY: | JFK                           | ECN:   | - |

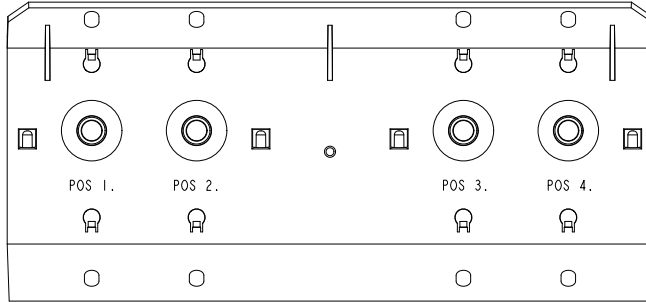


| ITEM | PART NUMBER | DESCRIPTION                 | QTY |
|------|-------------|-----------------------------|-----|
| 1    | 018566-001  | GROMMET, STANDARD           | 4   |
| 2    | 020507-008  | COLUMN SUPPORT              | 1   |
| 3    | 020513-004  | BASE                        | 1   |
| 4    | 026295      | COVER , ELEC                | 1   |
| 5    | 026309      | RELAY PTC 103N0011-230V     | 1   |
| 6    | 026996      | HAIRPIN, COTTER             | 4   |
| 7    | 027040-049  | CONTROL, COLD               | 1   |
| 8    | 027484-004  | WASHER, COMPRESSOR MTG FLAT | 4   |
| 9    | 029545-002  | ARCO, ROCKER SWITCH C1500   | 1   |
| 10   | 030325-001  | POWER INLET IEC320          | 1   |
| 11   | 031529-003  | PLATE,NUT                   | 1   |
| 12   | 031530-004  | COMPRESSOR ASSY TL2.5F 220V | 1   |
| 13   | 031903-002  | BRACKET, IEC POWER INLET    | 1   |
| 14   | 031903-004  | FINGER PLATE                | 1   |
| 15   | 034050-002  | HANDLE, PLASTIC COOLER      | 1   |
| 16   | 034343-002  | DRIER                       | 1   |
| 17   | 034513-001  | BRACKET, BULKHEAD           | 1   |
| 18   | 034632-001  | SHELF, METAL-PIPV           | 1   |
| 19   | 034665-001  | CONDENSER, STATIC           | 1   |
| 20   | 034722-001  | FOOT, ADJUSTABLE            | 4   |

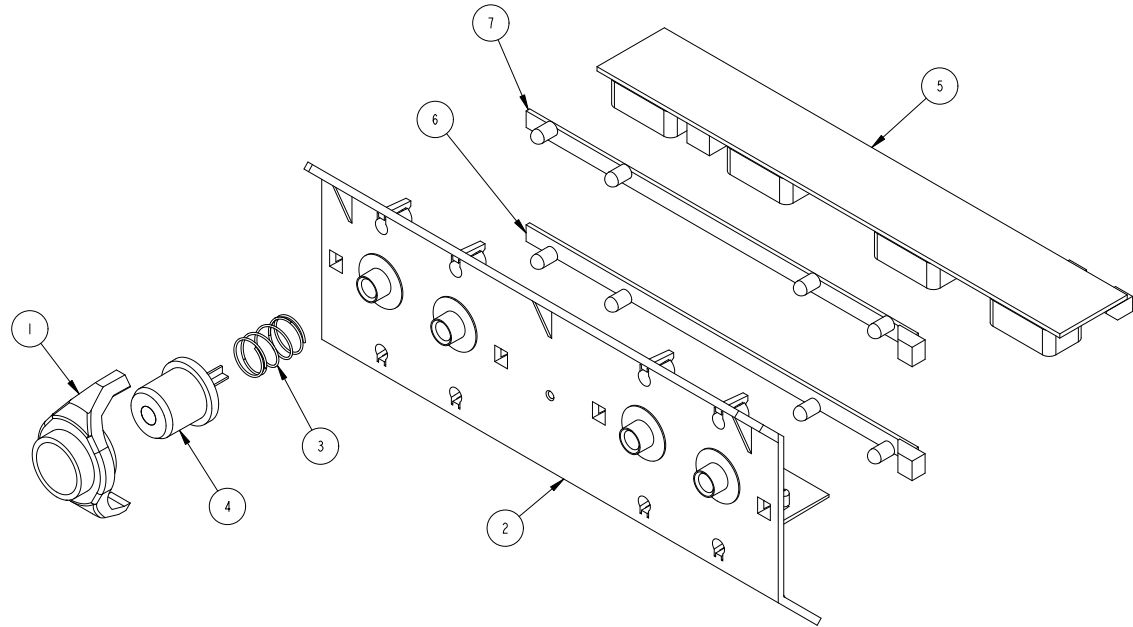
|           |                   |        |   |
|-----------|-------------------|--------|---|
| TITLE:    | CHASSIS (PIPVHSY) |        |   |
| DATE:     | 20JUL16           | SHEET: | - |
| DRAWN BY: | JFK               | ECN:   | - |

|               |            |            |            |            |
|---------------|------------|------------|------------|------------|
| MODEL:        | TRITEMP    |            |            |            |
| POSITION:     | 1          | 2          | 3          | 4          |
| TYPE:         | HOT        | HOT        | COOK       | COLD       |
| BUTTON ASSY   | 037304P003 | 037304P003 | 037304P002 | 037304P001 |
| RETURN SPRING | 034649-001 | 034649-001 | 034649-001 | 034649-001 |
| LIGHT PIPE    | 034616-001 | 034616-001 | 034616-001 | 034616-001 |

| ITEM | PART NUMBER | DESCRIPTION                | QTY |
|------|-------------|----------------------------|-----|
| 1    | 034616-001  | LIGHT PIPE                 | -   |
| 2    | 034617-001  | SWITCH MOUNTING BRACKET    | 1   |
| 3    | 034649-001  | PUSH BUTTON, RETURN SPRING | -   |
| 4    | 037304      | BUTTON ASSY, PIPV          | -   |
| 5    | 037372-003  | MAIN PCB, PIPV             | 1   |
| 6    | 037373-003  | LED PCB #1, PIPV           | 1   |
| 7    | 037374-003  | LED PCB #2, PIPV           | 1   |



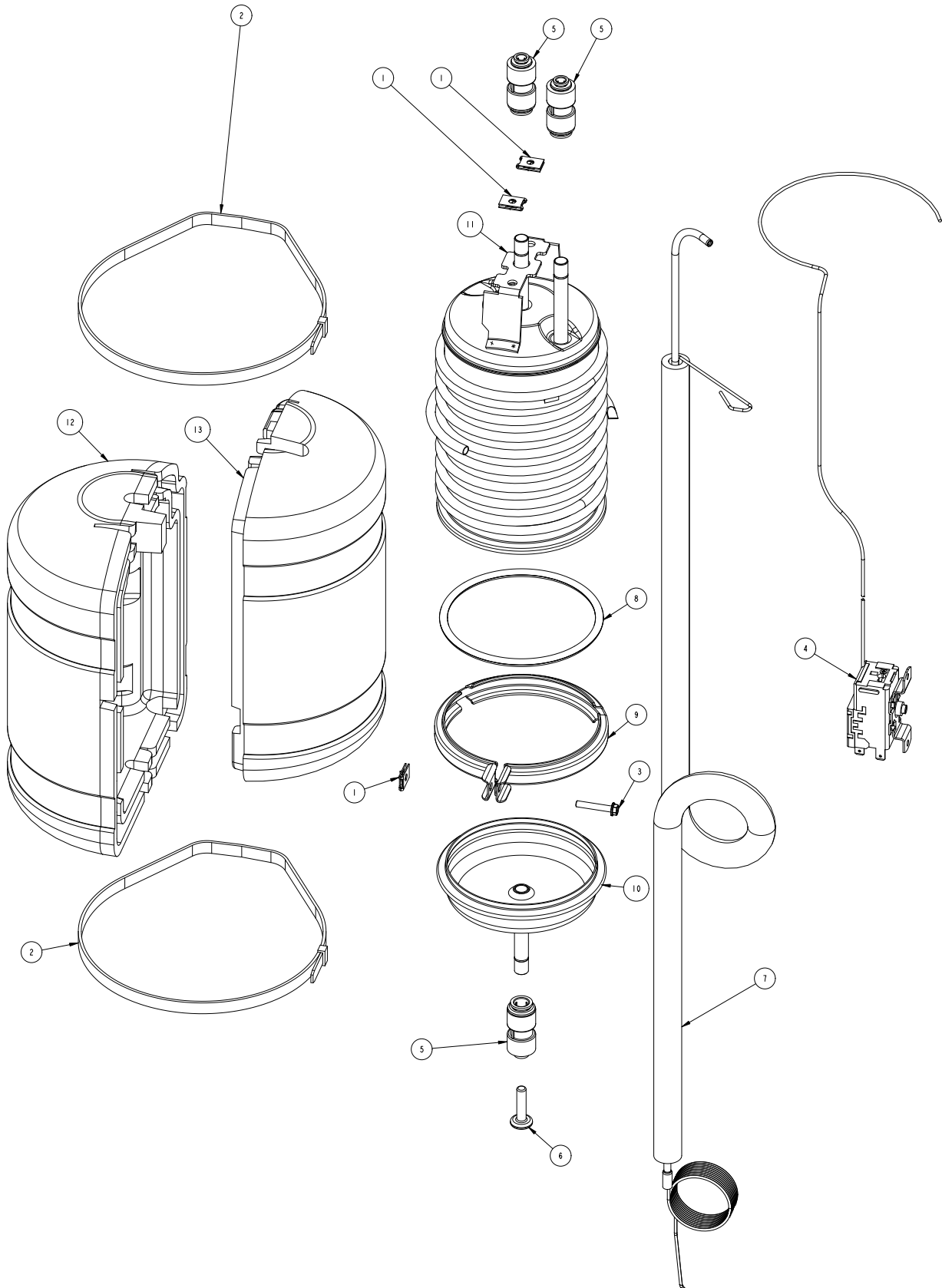
FRONT VIEW  
SCALE 1:1



|           |                          |        |   |
|-----------|--------------------------|--------|---|
| TITLE:    | CONTROL PANEL (PIPVHSKY) |        |   |
| DATE:     | 20JUL16                  | SHEET: | - |
| DRAWN BY: | JFK                      | ECN:   | - |

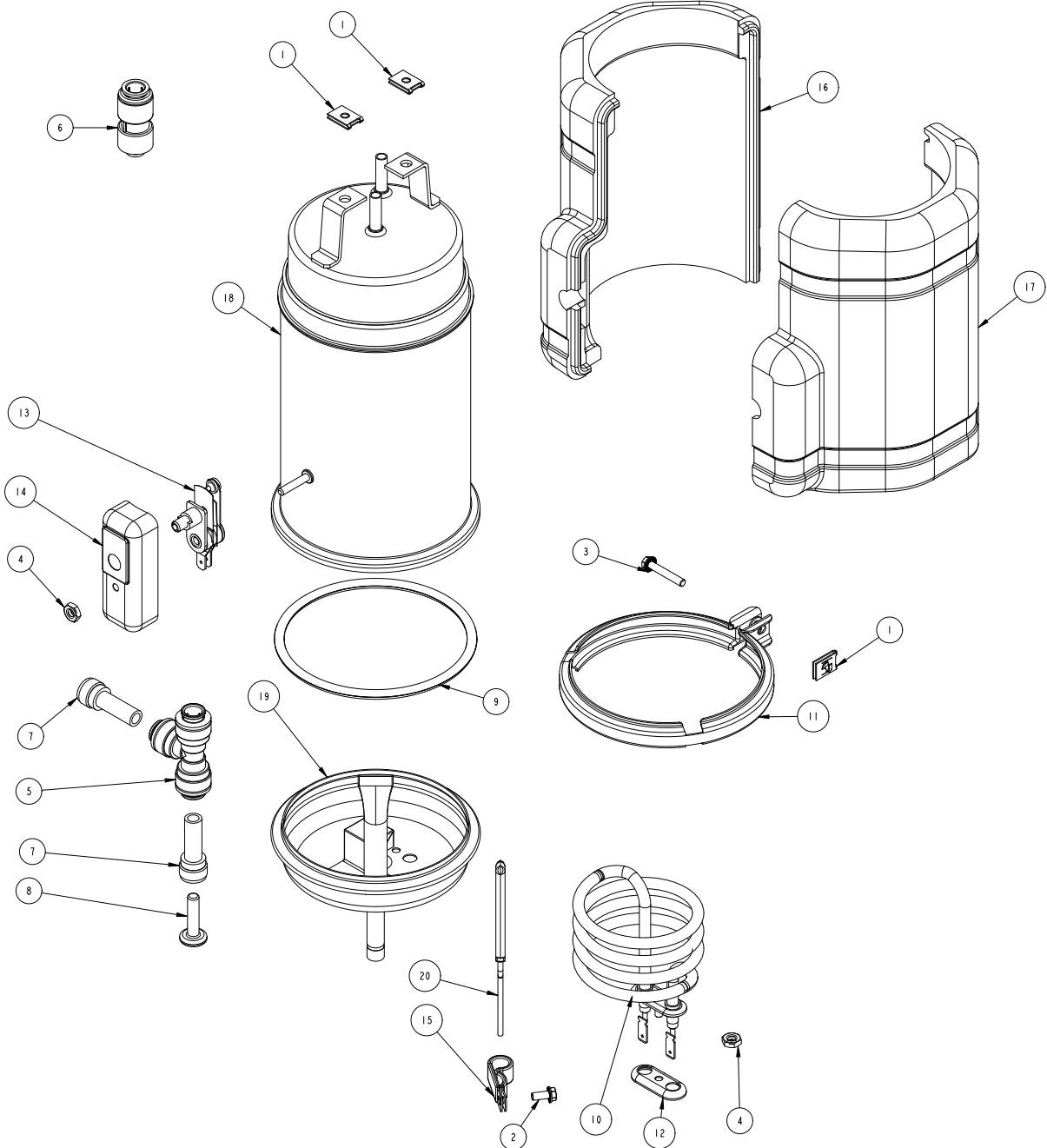
|           |                     |        |   |
|-----------|---------------------|--------|---|
| TITLE:    | COOLING TANK (PIPV) |        |   |
| DATE:     | 20JUL16             | SHEET: | - |
| DRAWN BY: | JFK                 | ECN:   | - |

| ITEM | PART NUMBER | DESCRIPTION                | QTY |
|------|-------------|----------------------------|-----|
| 1    | 020938-008  | SPEEDNUT                   | 3   |
| 2    | 024070-003  | CABLE TIE                  | 2   |
| 3    | 026642-043  | SCREW, HEX                 | 1   |
| 4    | 027040-049  | COLD CONTROL               | 1   |
| 5    | 028668-001  | FTG, JG. REDUCING UNION    | 3   |
| 6    | 030569-001  | PLUG, 1/4 OD               | 1   |
| 7    | 030749-009  | HEAT EXCHANGER ASSY        | 1   |
| 8    | 030858-402  | O RING EP 11/7/4 BLK       | 1   |
| 9    | 032729-002  | CLAMP, STAMPED V-COUPLING  | 1   |
| 10   | 034507-004  | CLG TANK, BASE             | 1   |
| 11   | 034508-101  | CLG TANK & EVAPORATOR ASSY | 1   |
| 12   | 034512-001  | INSULATION, RH             | 1   |
| 13   | 034512-002  | INSULATION, LH             | 1   |

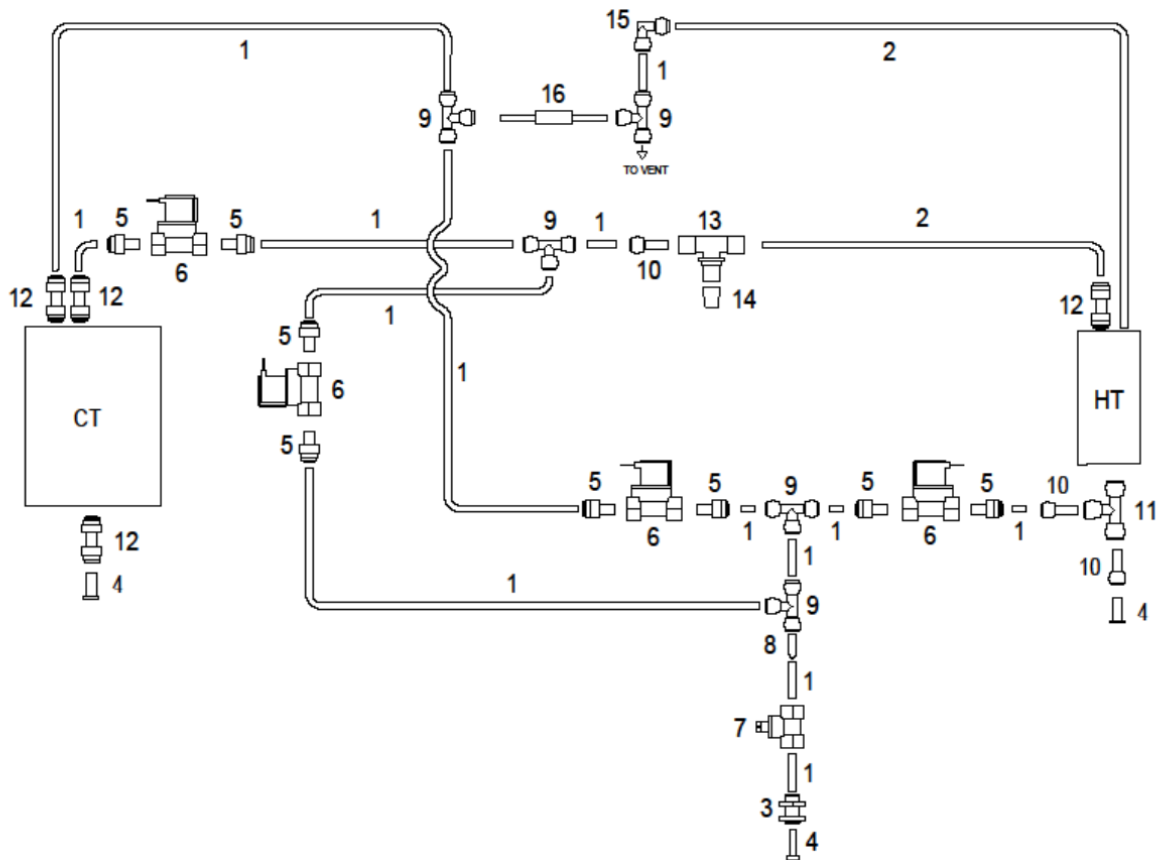


|           |               |        |   |
|-----------|---------------|--------|---|
| TITLE:    | HOT TANK (PV) |        |   |
| DATE:     | 04AUG16       | SHEET: | - |
| DRAWN BY: | JFK           | ECN:   | - |

| ITEM | PART NUMBER | DESCRIPTION                     | QTY |
|------|-------------|---------------------------------|-----|
| 1    | 020938-008  | SPEEDNUT                        | 3   |
| 2    | 026642-004  | SCREW, HEX                      | 1   |
| 3    | 026642-043  | SCREW, HEX                      | 1   |
| 4    | 026824-015  | NUT, HEX                        | 2   |
| 5    | 028534-101  | FTG, PP UNION TEE WHITE         | 1   |
| 6    | 028668-001  | FTG, JG. REDUCING UNION         | 1   |
| 7    | 030552-101  | FTG, JG. REDUCER                | 2   |
| 8    | 030569-001  | PLUG, 1/4 OD                    | 1   |
| 9    | 030858-402  | O RING, EP 11/7/4 BLK           | 1   |
| 10   | 032487-004  | ELEMENT, HT TK TUBULAR HTG      | 1   |
| 11   | 032729-002  | CLAMP, STAMPED V-COUPLING       | 1   |
| 12   | 032837-001  | PLATE HEATER ELEMENT BACKING    | 1   |
| 13   | 033451-004  | THERMOSTAT, HOT TANK            | 1   |
| 14   | 033452-001  | COVER, THERMOSTAT               | 1   |
| 15   | 033471-001  | CLAMP, WIRE                     | 1   |
| 16   | 034735-001  | INSULATION, PVHS                | 1   |
| 17   | 034735-002  | INSULATION, PVHS                | 1   |
| 18   | 036033-001  | HOT TANK BODY & HEAD ASSY       | 1   |
| 19   | 036134-001  | HEATER PAN ASSY                 | 1   |
| 20   | 037407-001  | HEAT LIMITER & DRY TEMP CONTROL | 1   |



## Water Circuit



| #  | DESCRIPTION                             | QTY | STANDARD   | ALTERNATIVE |
|----|---|-----|------------|-------------|
| 1  | 1/4 LLDPE TUBE                          | -   | 029959-002 | -           |
| 2  | TUBING, CHEMFLEUR                       | -   | 034734-002 | -           |
| 3  | FTG BULKHEAD UNION 1/4                  | 1   | 037845-001 | 028913-002  |
| 4  | FTG PLUG, 1/4                           | 3   | 037849-001 | 030569-001  |
| 5  | FTG 1/4 X 1/8 BSPT                      | 8   | 037591-001 | -           |
| 6  | SOLENOID VALVE 230V                     | 4   | 037592-011 | -           |
| 7  | PRESSURE REGULATOR                      | 1   | 037403-001 | -           |
| 8  | STRAINER, IN-LINE                       | 1   | 033264-002 | -           |
| 9  | UNION TEE 1/4                           | 5   | 037841-002 | 029199-003  |
| 10 | REDUCER 3/8 STEM X 1/4 TUBE             | 3   | 037848-001 | 030552-101  |
| 11 | FTG, PP UNION TEE WHT 3/8               | 1   | 028534-101 | -           |
| 12 | FTG, REDUCER UNION 3/8 TUBE X 1/4 TUBE  | 4   | 028668-001 | -           |
| 13 | WATER OUTLET ASSY                       | 1   | 034650P003 | -           |
| 14 | SPOUT, WATER OUTLET                     | 1   | 034625-002 | -           |
| 15 | FTG, REDUCING ELBOW 3/8 TUBE X 1/4 TUBE | 1   | 037843-001 | 028482-001  |
| 16 | ASSY (1/4), RELIEF VALVE                | 1   | 034759P102 | 034759P002  |