

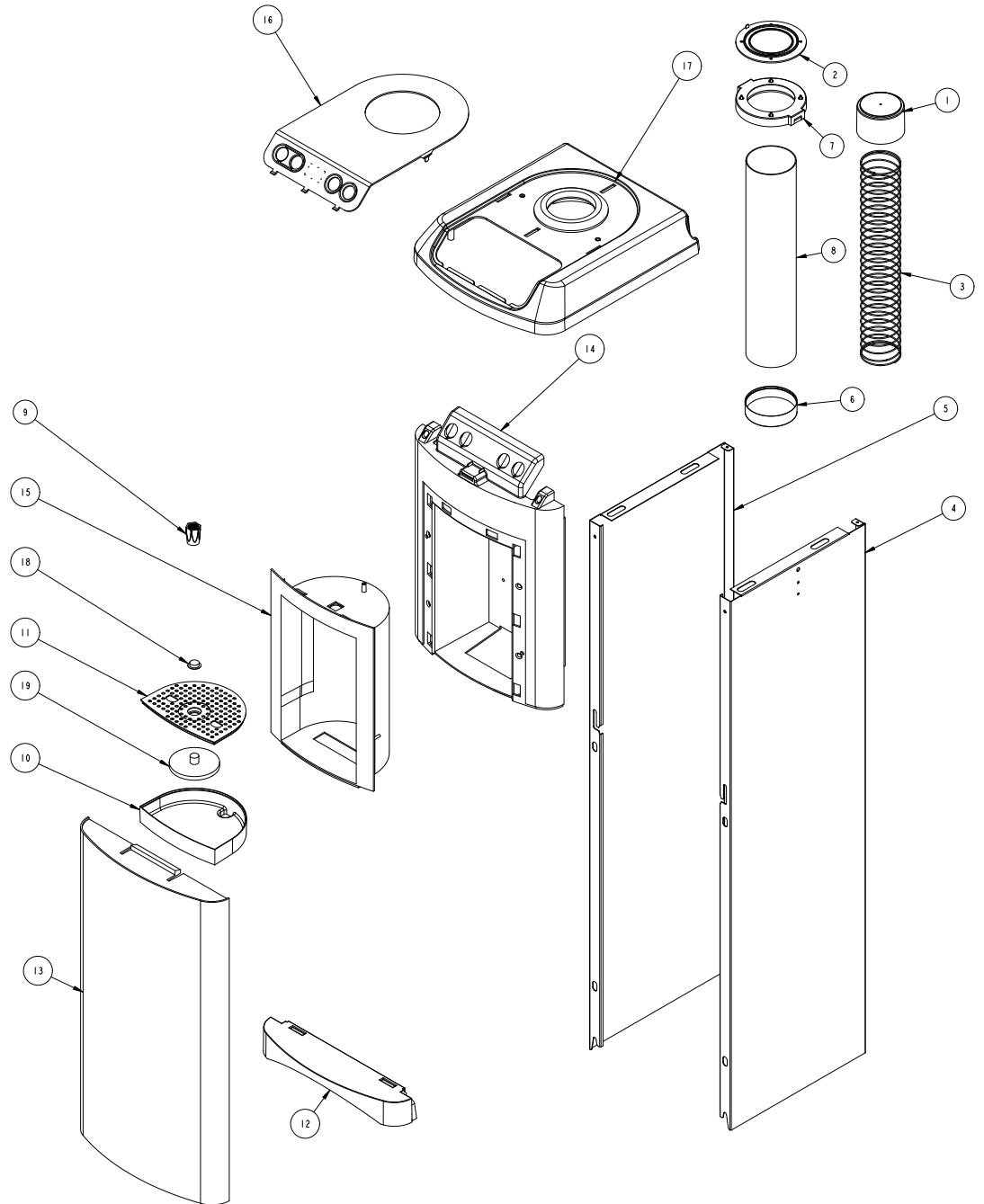


Illustrated Parts Breakdown (IPB)

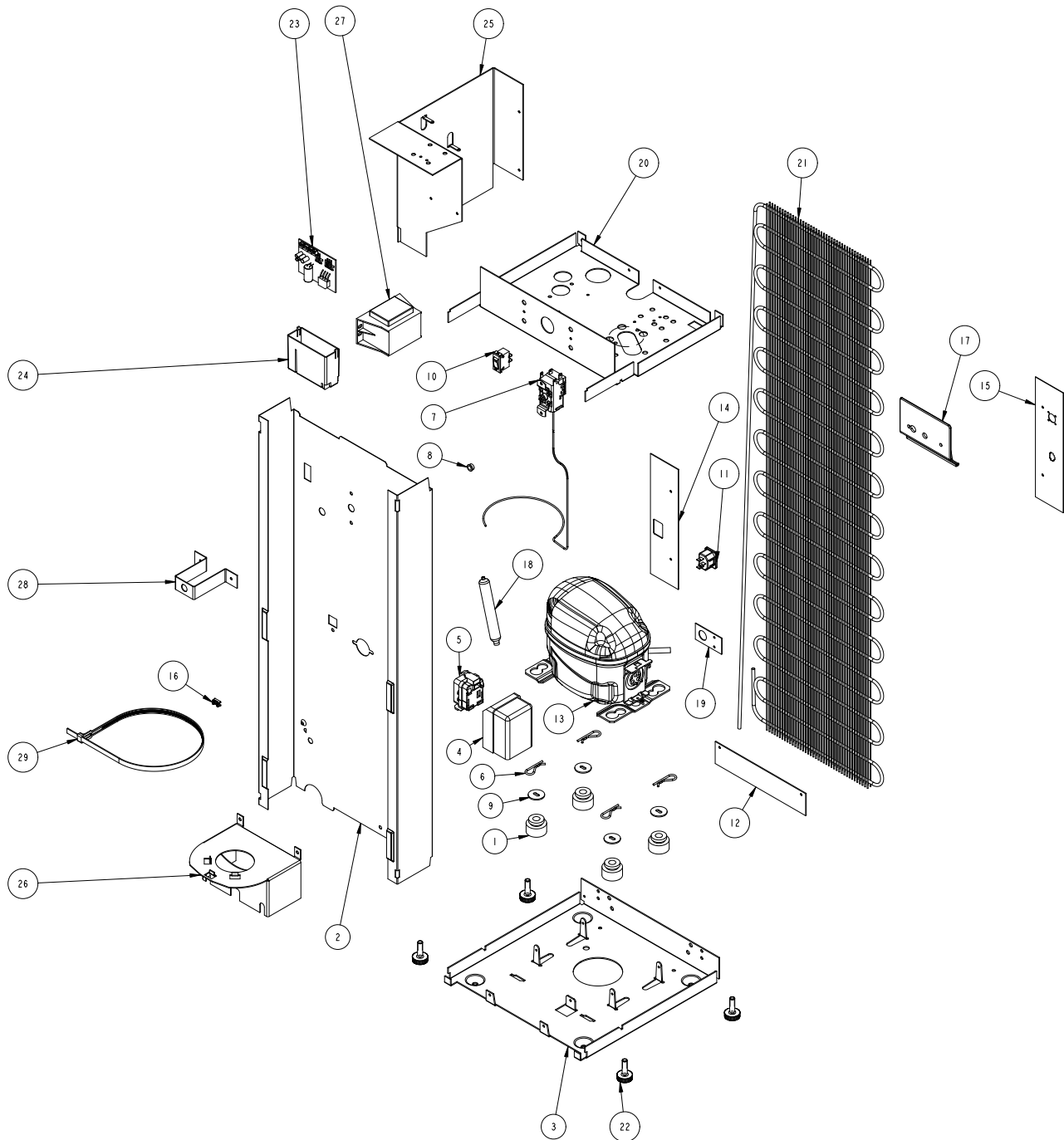
P1PVECCDHSY

Sheet 1.	Cabinetry
Sheet 2.	Chassis
Sheet 3.	Control Panel
Sheet 4.	Cold/Carbo Tank
Sheet 5.	Hot Tank
Sheet 6.	Water Circuit

ITEM	DESCRIPTION	COLOURS		
		SILVER	CREAM	GREY
1	PISTON, CUP DISPENSER	034317-001	034317-001	034317-001
2	GASKET, CUP DISPENSER	034322-001	034322-001	034322-001
3	SPRING, CUP DISPENSER	034323-001	034323-001	034323-001
4	SIDE PANEL, RH	034707-001	034707-001	034707-001
5	SIDE PANEL, LH	034708-001	034708-001	034708-001
6	BASE, CUP DISPENSER	034622-001	034622-001	034622-001
7	TOP, CUP DISPENSER	034623-001	034623-001	034623-001
8	TUBE, CUP DISPENSER	034624-001	034624-001 </td <td>034624-001</td>	034624-001
9	SPOUT	034625-002	034625-002	034625-002
10	DRIP TRAY	034626-001	034626-001	034626-001
11	DRIP TRAY GRILLE	034668-001	034627-002	034627-003
12	TRIM, BASE	034629-001	034629-001	034629-001
13	DOOR	034636-001	034637-002	034637-003
14	FRONT PANEL	034639-001	034642-002	034642-003
15	INSERT, FRONT PANEL	034643-001	034643-001	034643-001
16	FASCIA INSERT	034645-201	034645-203	034645-204
17	TOP	034651-001	034651-001	034651-001
18	FLOAT INDICATOR - A	040090-001	040090-001	040090-001
19	FLOAT INDICATOR - B	040090-002	040090-002	040090-002



TITLE:	CABINETRY (PIPVCDHSK & PIPVECCDHS)		
DATE:	21JUL16	SHEET:	-
DRAWN BY:	JFK	ECN:	-

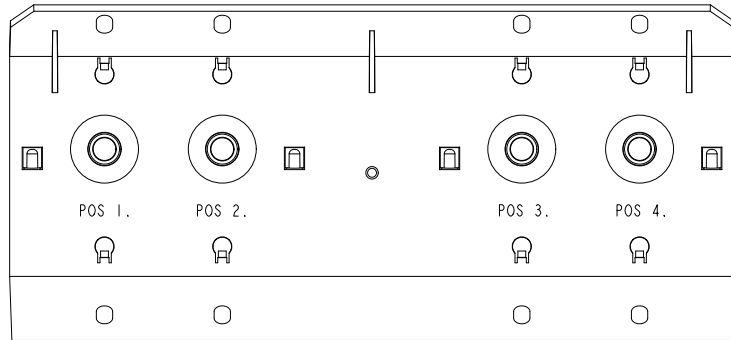


ITEM	PART NUMBER	DESCRIPTION	QTY
1	018566-001	GROMMET, STANDARD	4
2	020507-008	COLUMN SUPPORT	1
3	020513-004	BASE	1
4	026295	COVER , ELEC	1
5	026309	RELAY PTC 103N0011-230V	1
6	026996	HAIRPIN, COTTER	4
7	027040-049	CONTROL, COLD	1
8	027189-007	BUSHING, SNAP	1
9	027484-004	WASHER, COMPRESSOR MTG FLAT	4
10	029545-002	ARCO, ROCKER SWITCH C1500	1
11	030325-001	POWER INLET IEC320	1
12	031529-003	PLATE,NUT	1
13	031530-004	COMPRESSOR ASSY TL2.5F 220V	1
14	031903-002	BRACKET, IEC POWER INLET	1
15	031903-005	FINGER PLATE, KALIX CARBO	1
16	032460-001	FITTING MOUNTING	1
17	034050-002	HANDLE, PLASTIC COOLER	1
18	034343-002	DRIER	1
19	034513-001	BRACKET, BULKHEAD	1
20	034632-001	SHELF, METAL-PIPV	1
21	034665-001	CONDENSER, STATIC	1
22	034722-001	FOOT, ADJUSTABLE	4
23	034954-002	PCB, ELECTRONIC CO2	1
24	034955-001	COVER, ELECTRONICS	1
25	034958-001	BRACKET CARBO	1
26	034963-001	CYLINDER BASE	1
27	034964-001	TRANSFORMER 230V/24V 1,81A	1
28	037102-001	SAFETY VALVE BRACKET	1
29	040122-001	CABLE TIE	1

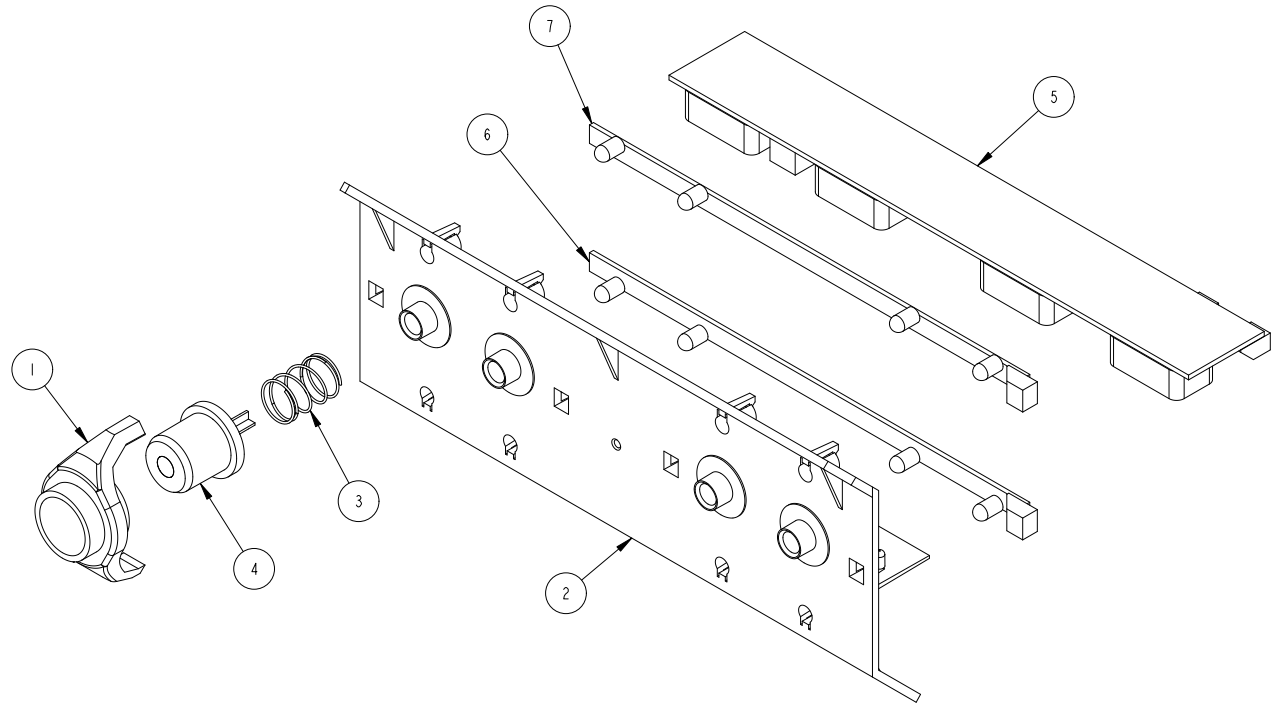
TITLE:	CHASSIS (PIPVECHSY)		
DATE:	04AUG16	SHEET:	-
DRAWN BY:	JFK	ECN:	-

MODEL:	CARBO, HOT & COLD			
POSITION:	1	2	3	4
TYPE:	HOT	HOT	CARBO	COLD
BUTTON ASSY	037304P003	037304P003	037304P004	037304P001
RETURN SPRING	034649-001	034649-001	034649-001	034649-001
LIGHT PIPE	034616-001	034616-001	034616-001	034616-001

ITEM	PART NUMBER	DESCRIPTION	QTY
1	034616-001	LIGHT PIPE	-
2	034617-001	SWITCH MOUNTING BRACKET	1
3	034649-001	PUSH BUTTON, RETURN SPRING	-
4	037304	BUTTON ASSY, PIPV	-
5	037372-005	MAIN PCB, PIPV	1
6	037373-005	LED PCB #1, PIPV	1
7	037374-005	LED PCB #2, PIPV	1



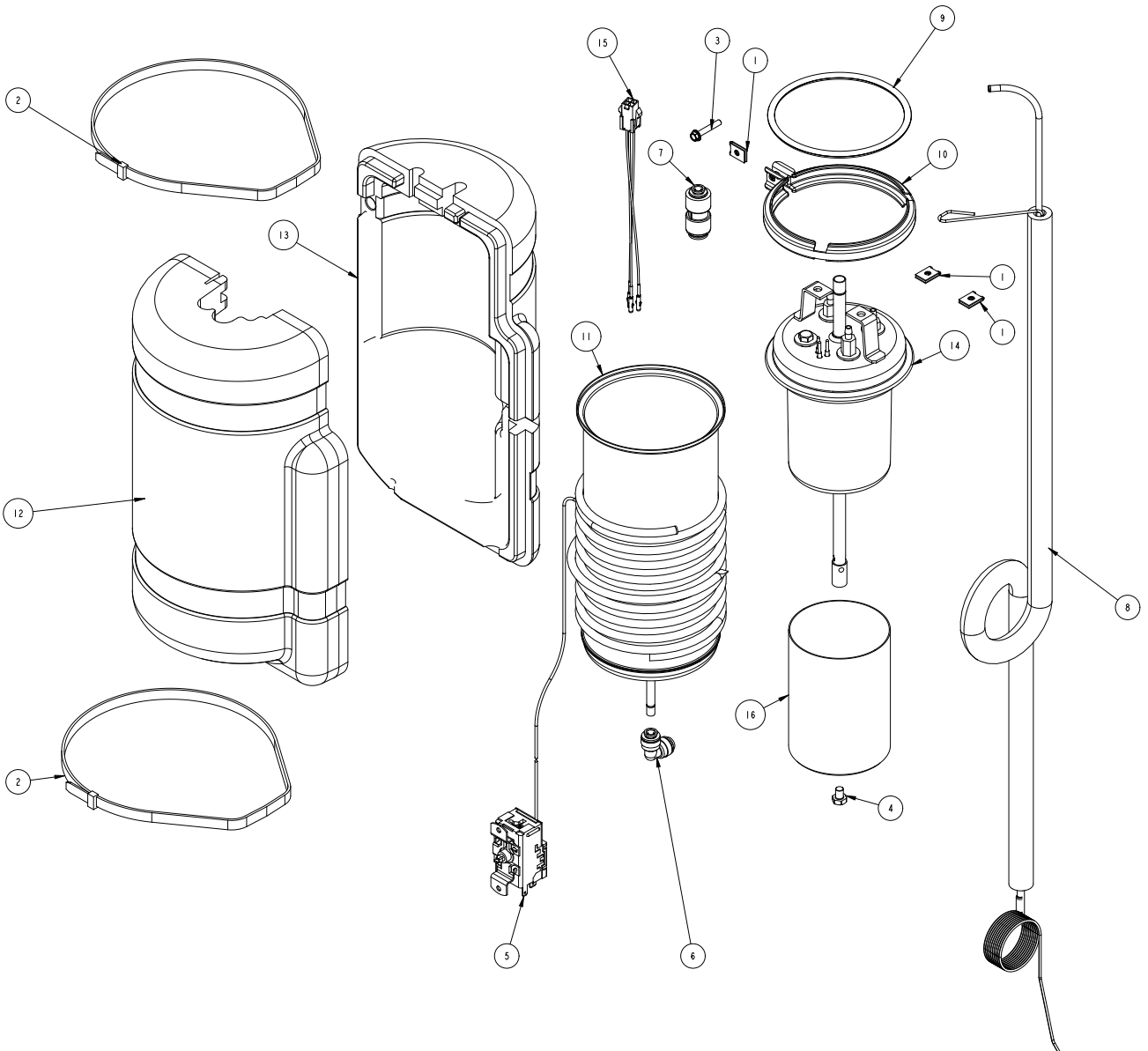
FRONT VIEW
SCALE 1:1



TITLE:	CONTROL PANEL (PIPVECHSY)		
DATE:	20JUL16	SHEET:	-
DRAWN BY:	JFK	ECN:	-

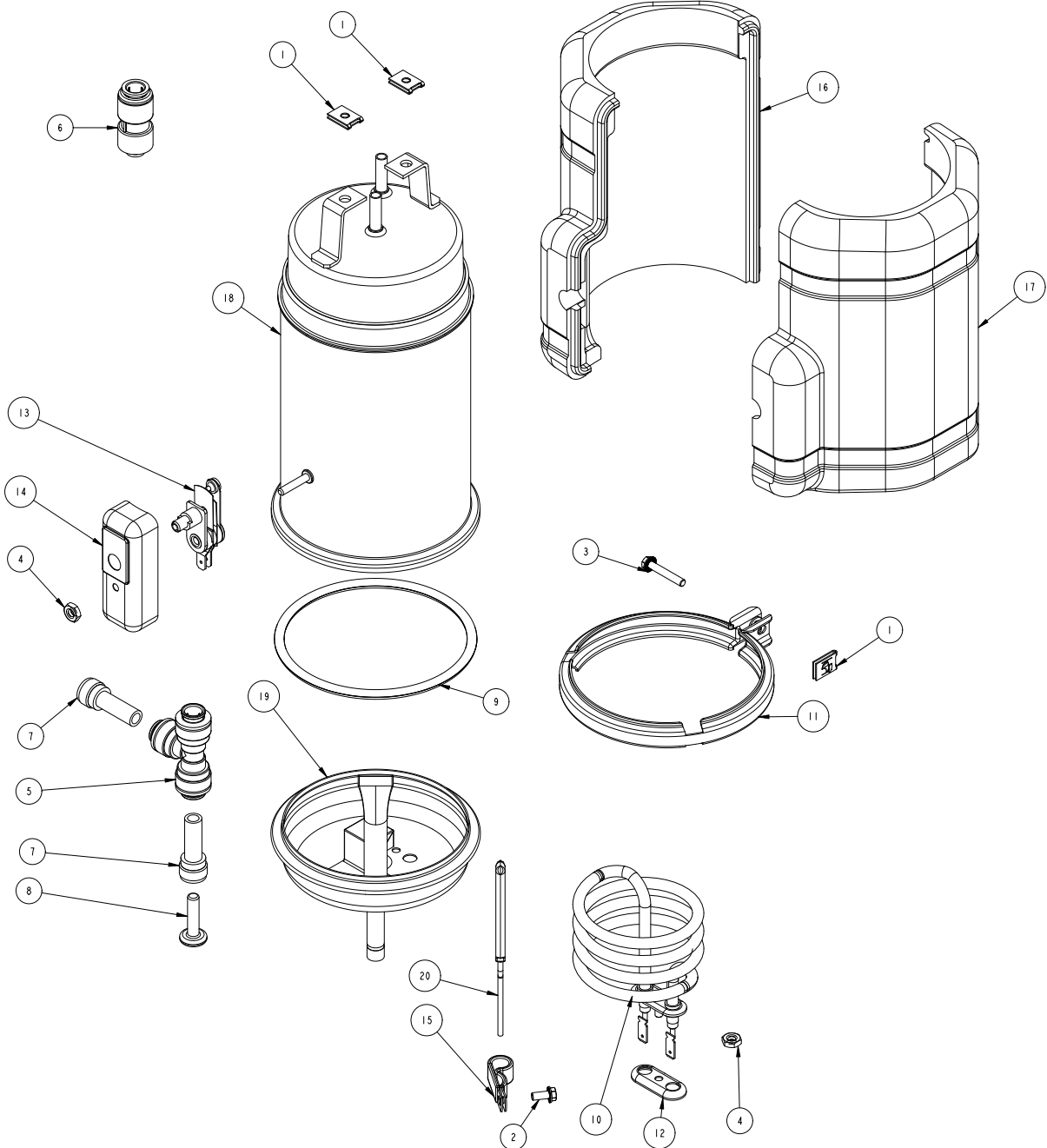
TITLE:	COOLING TANK (PIPVEC)		
DATE:	20JUL16	SHEET:	-
DRAWN BY:	JFK	ECN:	-

ITEM	PART NUMBER	DESCRIPTION	QTY
1	020938-008	SPEEDNUT	3
2	024070-003	CABLE TIE	2
3	026642-043	SCREW, HEX	1
4	026670-046	SCREW, HEX M/C	1
5	027040-049	COLD CONTROL	1
6	028481-001	FTG, JG UNION ELBOW 0.25	1
7	028668-001	FTG, JG, REDUCING UNION	1
8	030749-008	HEAT EXCHANGE ASSY	1
9	030858-402	O RING EP 11/7/4 BLK	1
10	032729-002	CLAMP, STAMPED V-COUPLING	1
11	034508-005	CLG TANK & EVAPORATOR CO2	1
12	034965-001	INSULATION, CARBO RH	1
13	034965-002	INSULATION, CARBO LH	1
14	034968-002	CO2 MIXER ASSY	1
15	034975-005	WIRING HARNESS	1
16	037018-001	BAFFLE, CO2	1

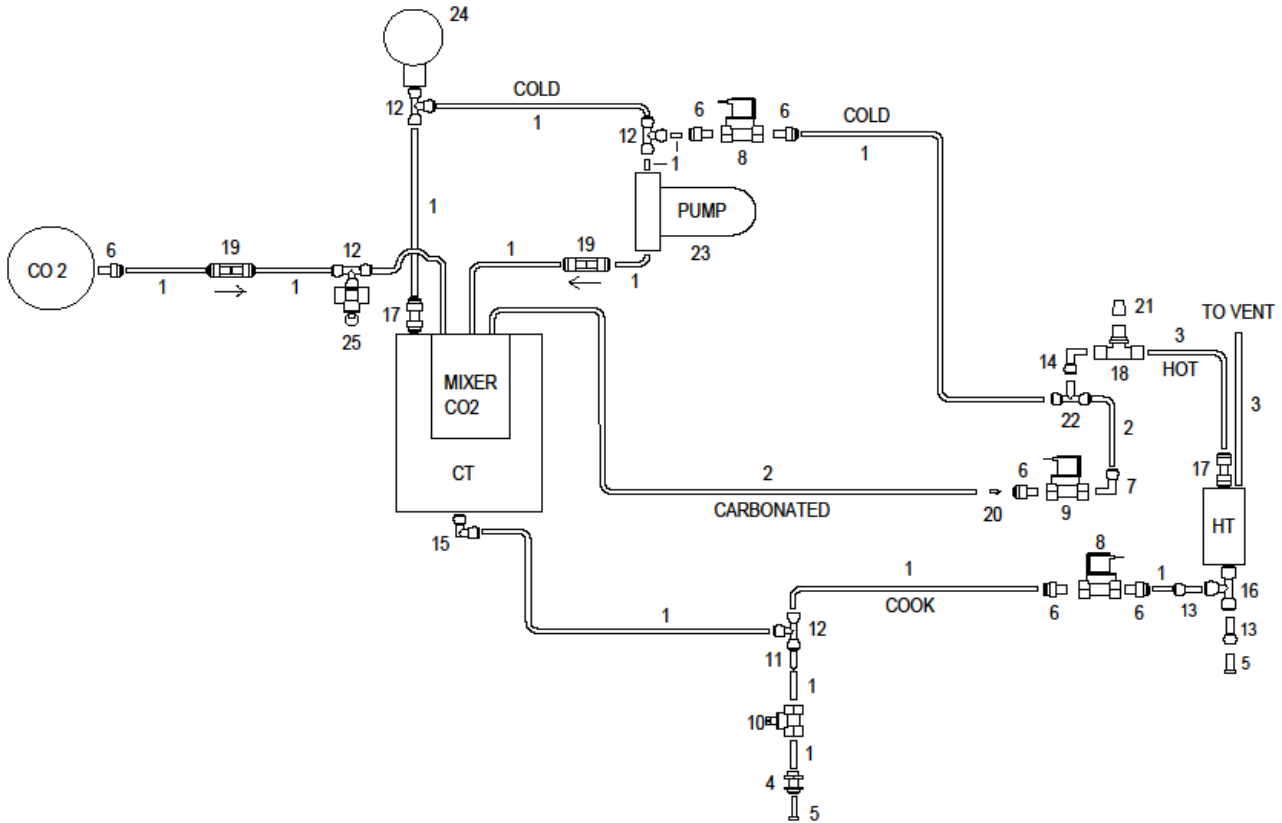


TITLE:	HOT TANK (PV)		
DATE:	04AUG16	SHEET:	-
DRAWN BY:	JFK	ECN:	-

ITEM	PART NUMBER	DESCRIPTION	QTY
1	020938-008	SPEEDNUT	3
2	026642-004	SCREW, HEX	1
3	026642-043	SCREW, HEX	1
4	026824-015	NUT, HEX	2
5	028534-101	FTG, PP UNION TEE WHITE	1
6	028668-001	FTG, JG. REDUCING UNION	1
7	030552-101	FTG, JG. REDUCER	2
8	030569-001	PLUG, 1/4 OD	1
9	030858-402	O RING, EP 11/7/4 BLK	1
10	032487-004	ELEMENT, HT TK TUBULAR HTG	1
11	032729-002	CLAMP, STAMPED V-COUPLING	1
12	032837-001	PLATE HEATER ELEMENT BACKING	1
13	033451-004	THERMOSTAT, HOT TANK	1
14	033452-001	COVER, THERMOSTAT	1
15	033471-001	CLAMP, WIRE	1
16	034735-001	INSULATION, PVHS	1
17	034735-002	INSULATION, PVHS	1
18	036033-001	HOT TANK BODY & HEAD ASSY	1
19	036134-001	HEATER PAN ASSY	1
20	037407-001	HEAT LIMITER & DRY TEMP CONTROL	1



Water Circuit



#	DESCRIPTION	QTY	STANDARD	ALTERNATIVE
1	1/4 LLDPE TUBE - BLUE	-	029959-002	-
2	1/4 LLDPE TUBE - WHITE	-	029959-006	-
3	TUBING, CHEMFLUOR	-	034743-002	-
4	FTG BULKHEAD UNION 1/4	1	037845-001	028913-002
5	FTG PLUG, 1/4	2	037849-001	030569-001
6	FTG 1/4 X 1/8 BSPT	6	037591-001	-
7	FTG ELBOW 1/4 X 1/8 MBSPT	1	037773-001	-
8	SOLENOID VALVE 230V	2	037592-011	-
9	SOLENOID VALVE 24V	1	037592-013	-
10	PRESSURE REGULATOR	1	037403-001	-
11	STRAINER, IN-LINE	1	033264-002	-
12	UNION TEE 1/4	3	037841-002	029199-003
13	REDUCER 3/8 STEM X 1/4 TUBE	2	037848-001	030552-101
14	PLUG IN ELBOW 1/4 TUBE X 3/8 STEM	1	037846-001	029139-001
15	FTG, ELBOW 1/4	1	028481-001	037842-001
16	FTG, PP UNION TEE WHT 3/8	1	028534-101	-
17	FTG, REDUCER UNION 3/8 TUBE X 1/4 TUBE	2	028668-001	-
18	WATER OUTLET ASSY	1	034650P003	-
19	NON-RETURN VALVE, 1/4	2	034957-001	037775-001
20	FLOW RESTRICTOR, FRCT60 BLUE	1	031728-006	-
21	SPOUT, WATER OUTLET	1	034625-002	-
22	FTG, 1/4 TUBE X 2 + 1/4 STEM	1	037774-001	-
23	PUMP 24V	1	037369-005	-
24	EXPANSION TANK 0,3L ASSY	1	037029P001	-
25	VALVE SAFETY	1	034949P001	034949P002