

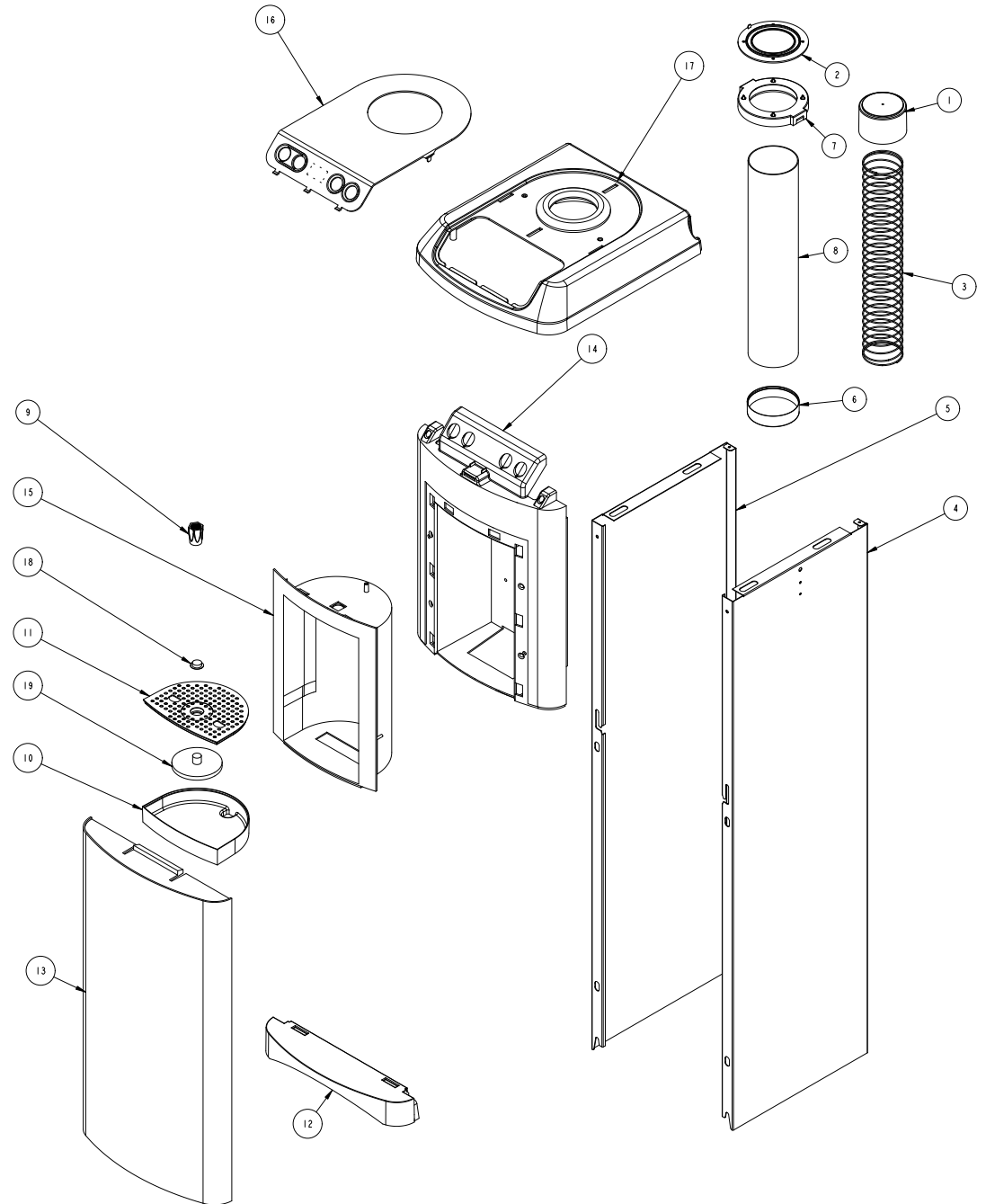


Illustrated Parts Breakdown (IPB)

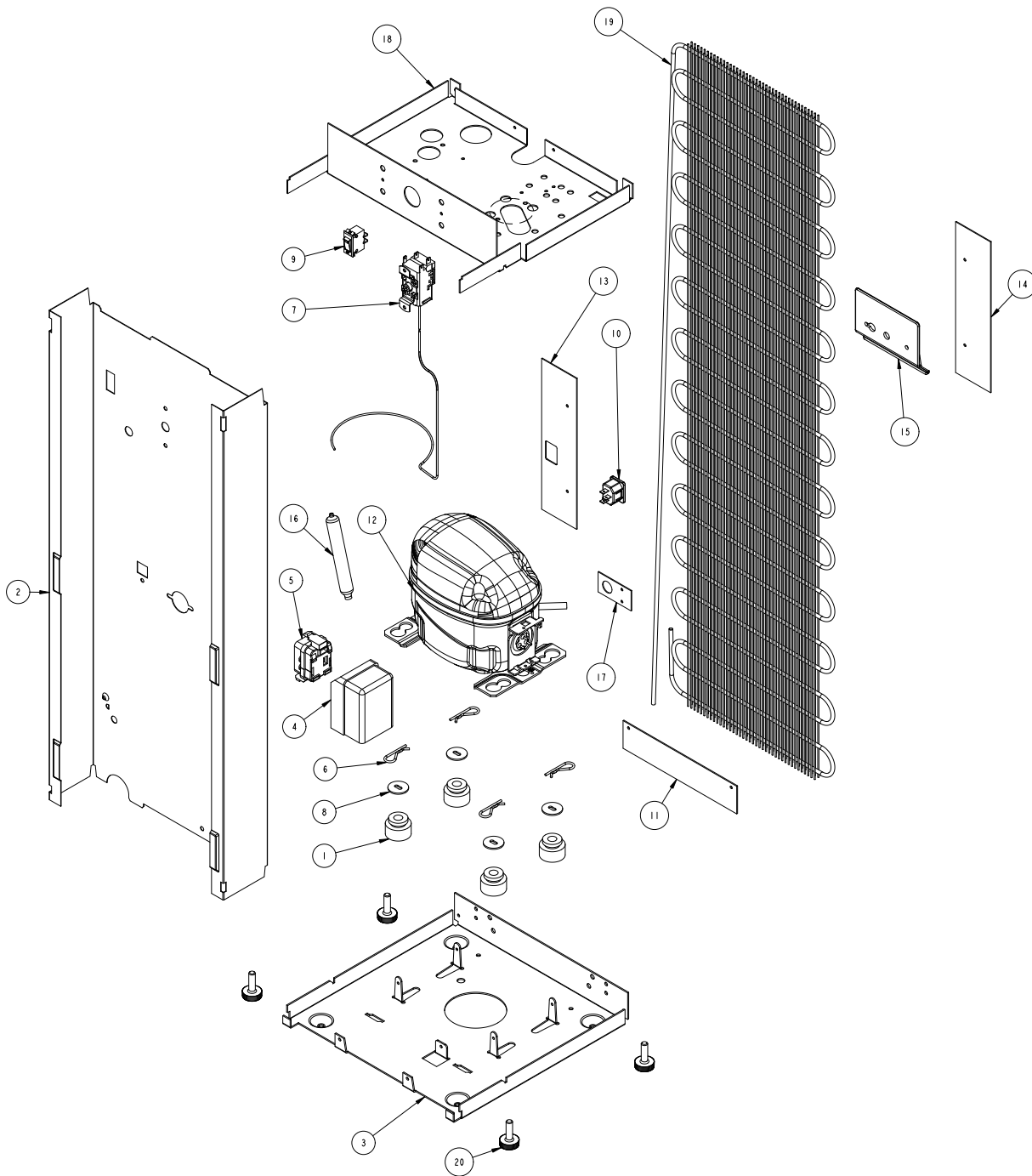
P1PVCDSKY

Sheet 1.	Cabinetry
Sheet 2.	Chassis
Sheet 3.	Control Panel
Sheet 4.	Cold Tank
Sheet 5.	Hot Tank
Sheet 6.	Water Circuit

ITEM	DESCRIPTION	COLOURS		
		SILVER	CREAM	GREY
1	PISTON, CUP DISPENSER	034317-001	034317-001	034317-001
2	GASKET, CUP DISPENSER	034322-001	034322-001	034322-001
3	SPRING, CUP DISPENSER	034323-001	034323-001 </td <td>034323-001</td>	034323-001
4	SIDE PANEL, RH	034707-001	034707-001	034707-001
5	SIDE PANEL, LH	034708-001	034708-001	034708-001
6	BASE, CUP DISPENSER	034622-001	034622-001	034622-001
7	TOP, CUP DISPENSER	034623-001	034623-001	034623-001
8	TUBE, CUP DISPENSER	034624-001	034624-001	034624-001
9	SPOUT	034625-002	034625-002	034625-002
10	DRIP TRAY	034626-001	034626-001	034626-001
11	DRIP TRAY GRILLE	034668-001	034627-002	034627-003
12	TRIM, BASE	034629-001	034629-001	034629-001
13	DOOR	034636-001	034637-002	034637-003
14	FRONT PANEL	034639-001	034642-002	034642-003
15	INSERT, FRONT PANEL	034643-001	034643-001	034643-001
16	FASCIA INSERT	034645-201	034645-203	034645-204
17	TOP	034651-001	034651-001	034651-001
18	FLOAT INDICATOR - A	040090-001	040090-001	040090-001
19	FLOAT INDICATOR - B	040090-002	040090-002	040090-002



TITLE:	CABINETRY (PIPVCDHSK & PIPVECDHS)		
DATE:	21JUL16	SHEET:	-
DRAWN BY:	JFK	ECN:	-

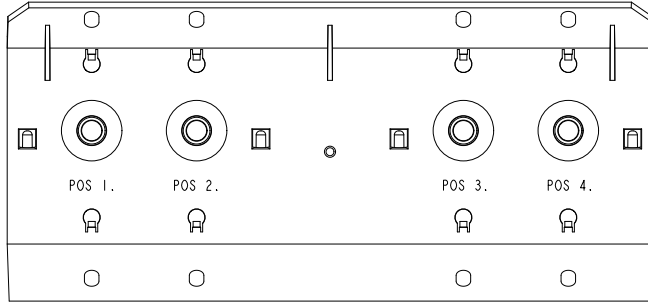


ITEM	PART NUMBER	DESCRIPTION	QTY
1	018566-001	GROMMET, STANDARD	4
2	020507-008	COLUMN SUPPORT	1
3	020513-004	BASE	1
4	026295	COVER , ELEC	1
5	026309	RELAY PTC 103N0011-230V	1
6	026996	HAIRPIN, COTTER	4
7	027040-049	CONTROL, COLD	1
8	027484-004	WASHER, COMPRESSOR MTG FLAT	4
9	029545-002	ARCO, ROCKER SWITCH C1500	1
10	030325-001	POWER INLET IEC320	1
11	031529-003	PLATE,NUT	1
12	031530-004	COMPRESSOR ASSY TL2.5F 220V	1
13	031903-002	BRACKET, IEC POWER INLET	1
14	031903-004	FINGER PLATE	1
15	034050-002	HANDLE, PLASTIC COOLER	1
16	034343-002	DRIER	1
17	034513-001	BRACKET, BULKHEAD	1
18	034632-001	SHELF, METAL-PIPV	1
19	034665-001	CONDENSER, STATIC	1
20	034722-001	FOOT, ADJUSTABLE	4

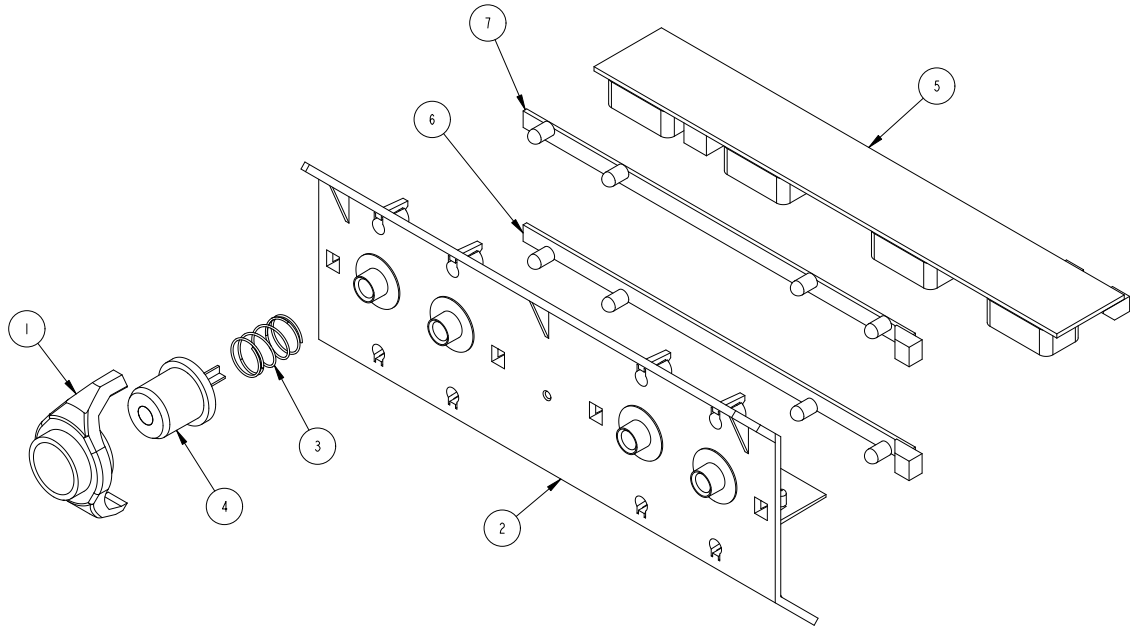
TITLE:	CHASSIS (PIPVHSY)		
DATE:	20JUL16	SHEET:	-
DRAWN BY:	JFK	ECN:	-

MODEL:	TRITEMP			
POSITION:	1	2	3	4
TYPE:	HOT	HOT	COOK	COLD
BUTTON ASSY	037304P003	037304P003	037304P002	037304P001
RETURN SPRING	034649-001	034649-001	034649-001	034649-001
LIGHT PIPE	034616-001	034616-001	034616-001	034616-001

ITEM	PART NUMBER	DESCRIPTION	QTY
1	034616-001	LIGHT PIPE	-
2	034617-001	SWITCH MOUNTING BRACKET	1
3	034649-001	PUSH BUTTON, RETURN SPRING	-
4	037304	BUTTON ASSY, PIPV	-
5	037372-003	MAIN PCB, PIPV	1
6	037373-003	LED PCB #1, PIPV	1
7	037374-003	LED PCB #2, PIPV	1



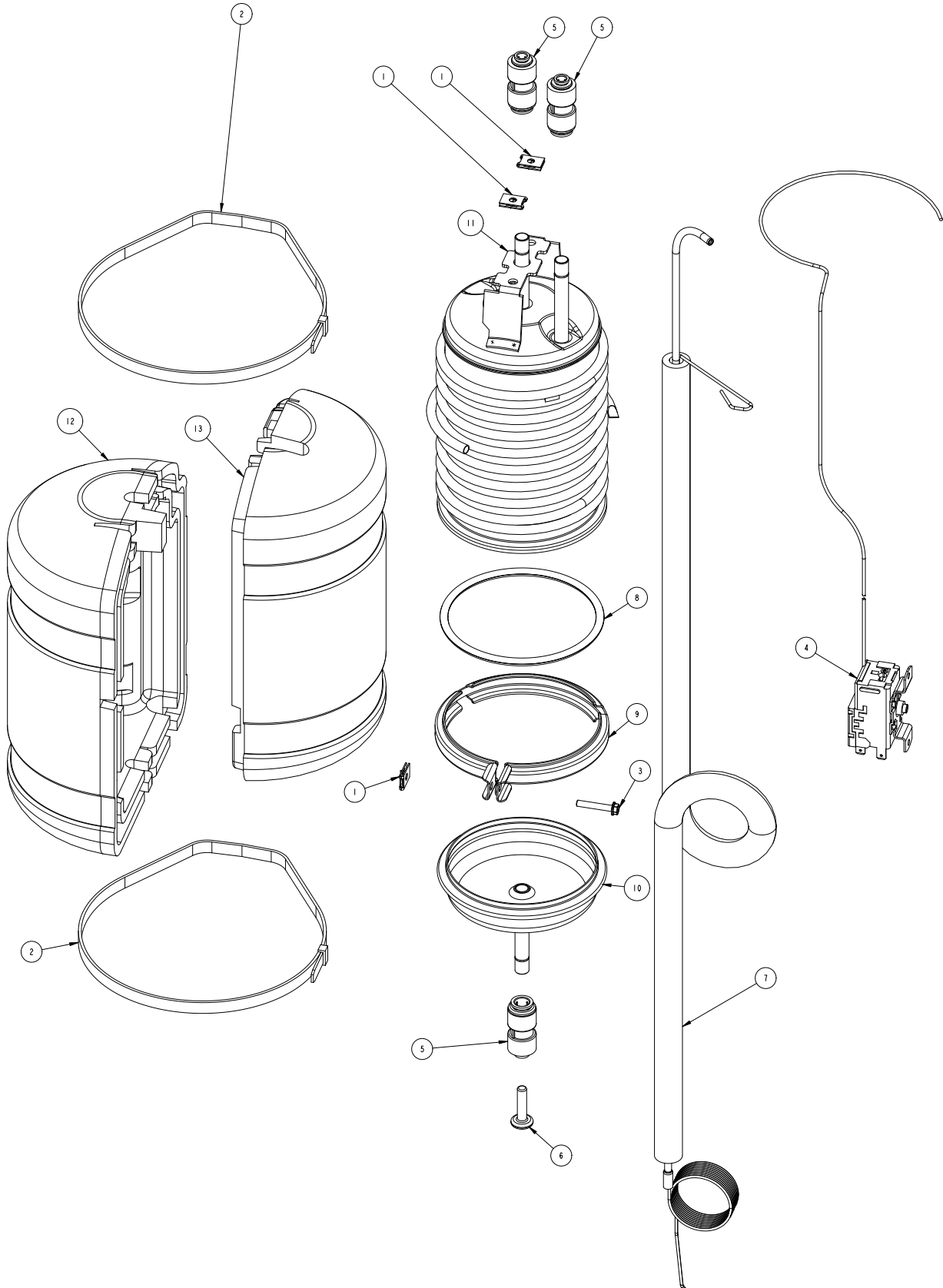
FRONT VIEW
SCALE 1:1



TITLE:	CONTROL PANEL (PIPVHSKY)		
DATE:	20JUL16	SHEET:	-
DRAWN BY:	JFK	ECN:	-

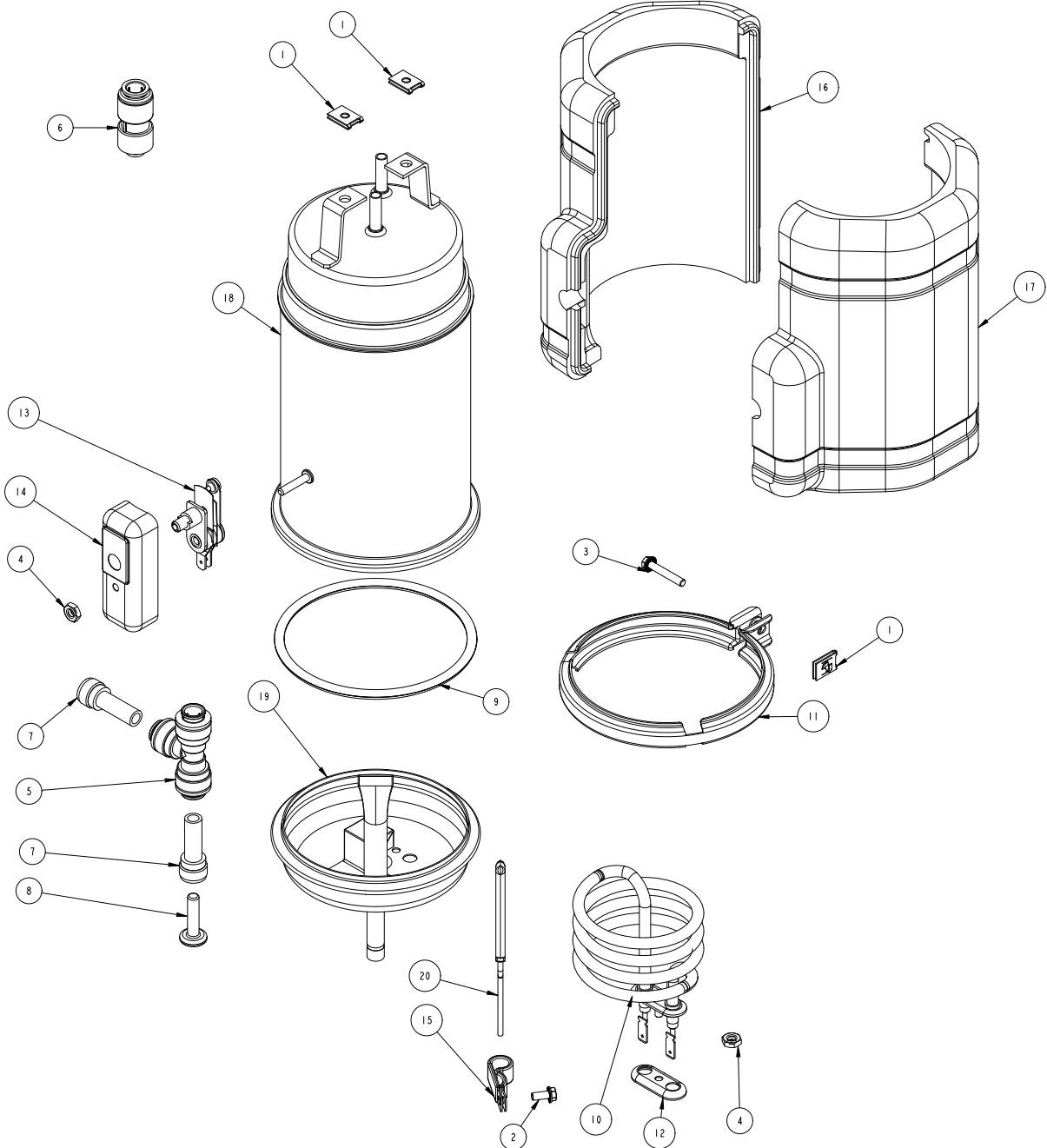
TITLE:	COOLING TANK (PIPV)		
DATE:	20JUL16	SHEET:	-
DRAWN BY:	JFK	ECN:	-

ITEM	PART NUMBER	DESCRIPTION	QTY
1	020938-008	SPEEDNUT	3
2	024070-003	CABLE TIE	2
3	026642-043	SCREW, HEX	1
4	027040-049	COLD CONTROL	1
5	028668-001	FTG, JG. REDUCING UNION	3
6	030569-001	PLUG, 1/4 OD	1
7	030749-009	HEAT EXCHANGER ASSY	1
8	030858-402	O RING EP 11/7/4 BLK	1
9	032729-002	CLAMP, STAMPED V-COUPLING	1
10	034507-004	CLG TANK, BASE	1
11	034508-101	CLG TANK & EVAPORATOR ASSY	1
12	034512-001	INSULATION, RH	1
13	034512-002	INSULATION, LH	1

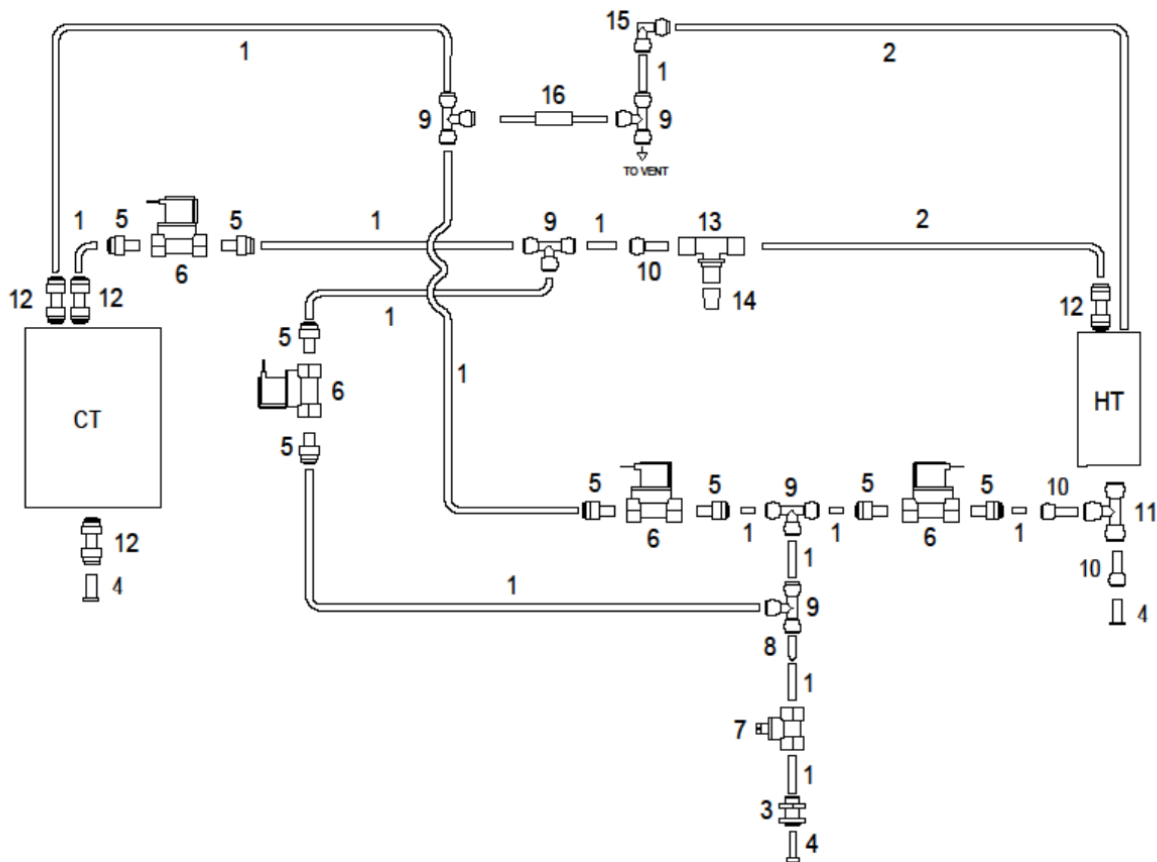


TITLE:	HOT TANK (PV)		
DATE:	04AUG16	SHEET:	-
DRAWN BY:	JFK	ECN:	-

ITEM	PART NUMBER	DESCRIPTION	QTY
1	020938-008	SPEEDNUT	3
2	026642-004	SCREW, HEX	1
3	026642-043	SCREW, HEX	1
4	026824-015	NUT, HEX	2
5	028534-101	FTG, PP UNION TEE WHITE	1
6	028668-001	FTG, JG. REDUCING UNION	1
7	030552-101	FTG, JG. REDUCER	2
8	030569-001	PLUG, 1/4 OD	1
9	030858-402	O RING, EP 11/7/4 BLK	1
10	032487-004	ELEMENT, HT TK TUBULAR HTG	1
11	032729-002	CLAMP, STAMPED V-COUPLING	1
12	032837-001	PLATE HEATER ELEMENT BACKING	1
13	033451-004	THERMOSTAT, HOT TANK	1
14	033452-001	COVER, THERMOSTAT	1
15	033471-001	CLAMP, WIRE	1
16	034735-001	INSULATION, PVHS	1
17	034735-002	INSULATION, PVHS	1
18	036033-001	HOT TANK BODY & HEAD ASSY	1
19	036134-001	HEATER PAN ASSY	1
20	037407-001	HEAT LIMITER & DRY TEMP CONTROL	1



Water Circuit



#	DESCRIPTION	QTY	STANDARD	ALTERNATIVE
1	1/4 LLDPE TUBE	-	029959-002	-
2	TUBING, CHEMFLEUR	-	034734-002	-
3	FTG BULKHEAD UNION 1/4	1	037845-001	028913-002
4	FTG PLUG, 1/4	3	037849-001	030569-001
5	FTG 1/4 X 1/8 BSPT	8	037591-001	-
6	SOLENOID VALVE 230V	4	037592-011	-
7	PRESSURE REGULATOR	1	037403-001	-
8	STRAINER, IN-LINE	1	033264-002	-
9	UNION TEE 1/4	5	037841-002	029199-003
10	REDUCER 3/8 STEM X 1/4 TUBE	3	037848-001	030552-101
11	FTG, PP UNION TEE WHT 3/8	1	028534-101	-
12	FTG, REDUCER UNION 3/8 TUBE X 1/4 TUBE	4	028668-001	-
13	WATER OUTLET ASSY	1	034650P003	-
14	SPOUT, WATER OUTLET	1	034625-002	-
15	FTG, REDUCING ELBOW 3/8 TUBE X 1/4 TUBE	1	037843-001	028482-001
16	ASSY (1/4), RELIEF VALVE	1	034759P102	034759P002