

FOUNTAIN MODELS OASIS® PWSMSBF, PWSMEBF INSTRUCTIONS

INSPECTION

Inspect the cartons and various components for evidence of rough handling and concealed damage. Damage claims should be filed with the carrier.

INSTALLATION & ELECTRICAL / PLUMBING CONNECTIONS

1. **Note:** The following states require a licensed plumber to install cooler; AR, GA, MA, MI, OK, RI, SC, SD, TX, VT and WI.
2. CA, KS, MN, NM, and OR allow for state-registered installer or contractor as well. State and local plumbing codes may prohibit use of saddle tapping valves for water line connection in some applications. All connections must conform to applicable plumbing codes.
3. Plumbing and electrical (if required) rough-in and wall opening should be prepared as shown on Roughing-in drawing and template. This drinking water cooler is designed to be operated at a water supply line pressure of up to 100 psi (690 kPa). A pressure regulator must be installed in front of the unit's water inlet if the water pressure (including any possible pressure spikes) could exceed 100 psi (690 kPa).
4. **For sensor equipped models**, check the available power supply against the dispenser data plate to assure correct electrical service. This drinking water dispenser is intended to be connected to a ground fault circuit interrupting (GFCI) device to meet UL requirements.
5. Prep the unit for installation by removing internal wall frame from cabinet. Remove 6 torx screws (T15) from sides and top. Save screws for reconnection later.
6. Place wall frame in appropriate location and attach to wall. The back panel has 4 rows of slots to provide optimum securing location. NOTE: As frame is put in place, slide drain tube into drain stub extending from wall.
7. As you put bottle filler in place on frame, connect water supply line and plug in cord for sensor operation, if applicable.
8. Check plumbing connections for leaks.
9. Fasten cabinet to frame using 4 torx screws removed earlier. Follow directions below to set up sensor model before putting top back on cabinet.
10. **For sensor equipped models**, display to upper right of alcove should be lit. Follow Sensor-Activation Instruction guide to adjust program settings. Water will shut off immediately after container is removed from alcove. Maximum run time is 30 seconds should someone tamper with sensor. NOTE: Walls with a reflective finish, i.e., ceramic tile, across from sensor may cause false actuation no matter what sensor adjustment is for distance. Therefore, do not install unit in such an area or dull surface of walls so it will not reflect light
11. On new plumbing installations, run water through spout until water taste is satisfactory. **For sensor equipped models**, place cup or bottle into alcove to activate sensor and open solenoid valve. Sensor will automatically shut off solenoid valve after programmed run time is reached. To reactivate, move container away for an instant and then again place it in front of sensor.
12. Place top back on cabinet and reattach using remaining 2 torx screws.

WARNING

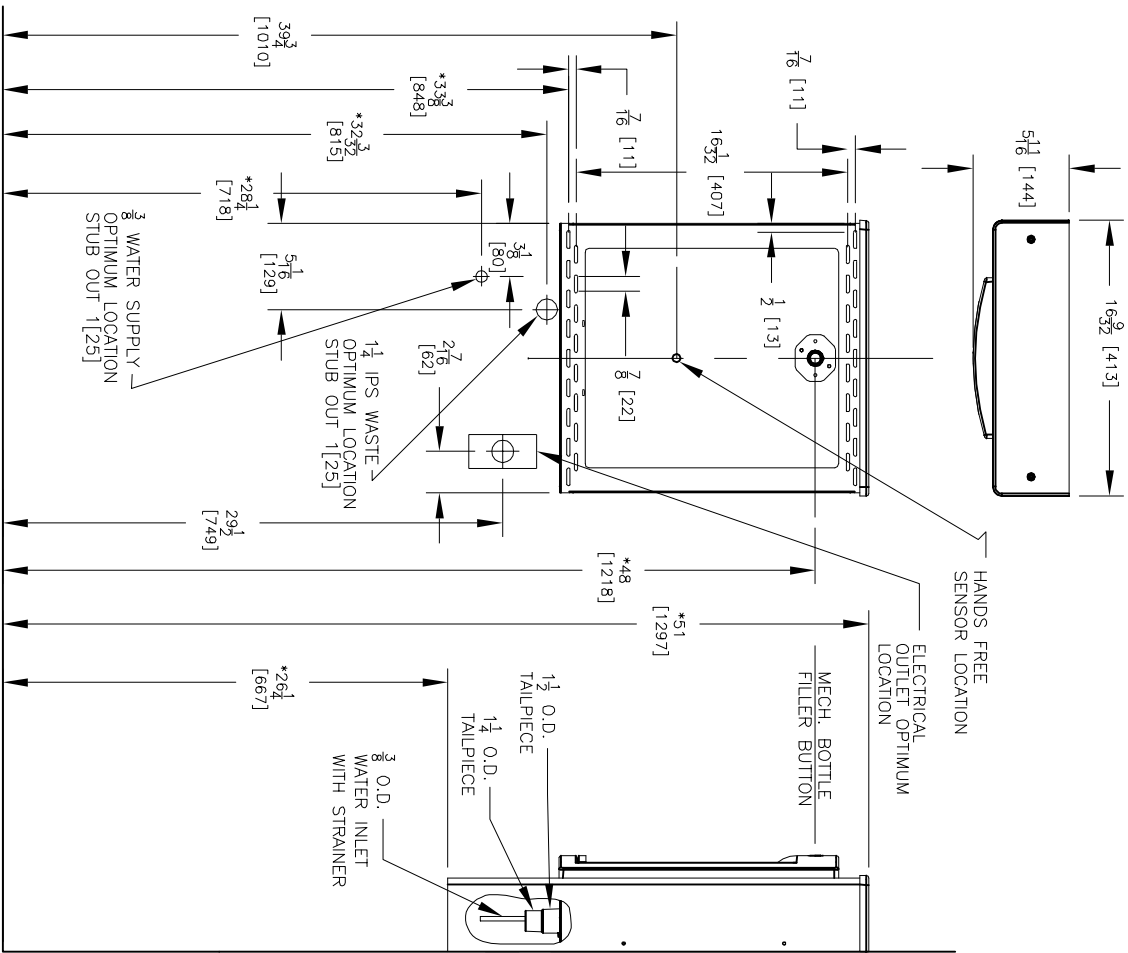
THE WARRANTY FOR THIS MACHINE IS AUTOMATICALLY VOIDED IF THIS MACHINE IS ALTERED, MODIFIED, OR COMBINED WITH ANY OTHER MACHINE OR DEVICE. ALTERATION OR MODIFICATION OF THIS MACHINE MAY CAUSE SERIOUS FLOODING.

EXCEPT AS SET FORTH HEREIN, THE MANUFACTURER MAKES NO OTHER WARRANTY, GUARANTEE OR AGREEMENT EXPRESS, IMPLIED OR STATUTORY, INCLUDING ANY IMPLIED WARRANTY OR MERCHANTABILITY OR FITNESS FOR A PARTICULAR PURPOSE.



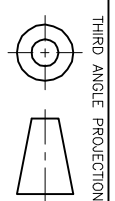
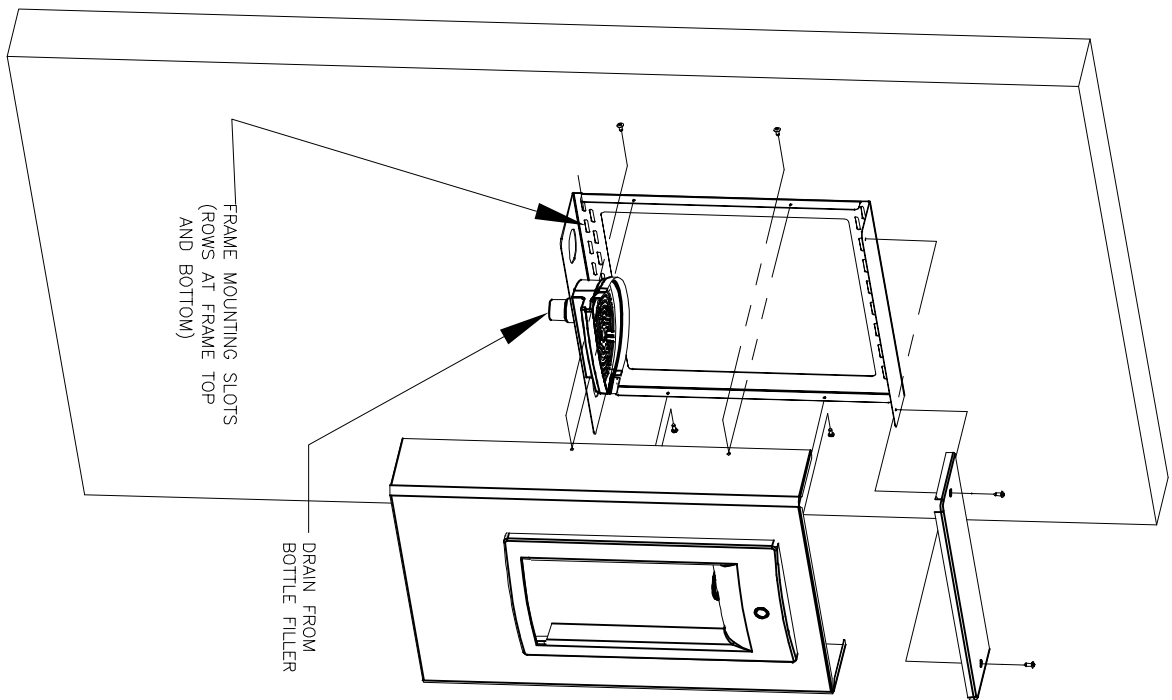
222 East Campus View Blvd. • Columbus, OH 43235 U.S.A.
1-800-950-3226
www.oasiscoolers.com

FOUNTAIN MODELS OASIS® PWSMSBF, PWSMEBF



NOTES:

- *1. RECOMMENDED ADULT HEIGHT INSTALLATION SHOWN. ADJUST VERTICAL DIMENSIONS AS REQUIRED TO COMPLY WITH FEDERAL, STATE AND LOCAL CODES.
2. STOP VALVE, TRAP, PIPE CONNECTOR TO WASTE LINE AND 3/8" COMP. FITTING NOT PROVIDED.
3. ALL DIMENSIONS ARE IN INCHES. DIMENSIONS IN BRACKETS [] ARE IN MILLIMETERS.



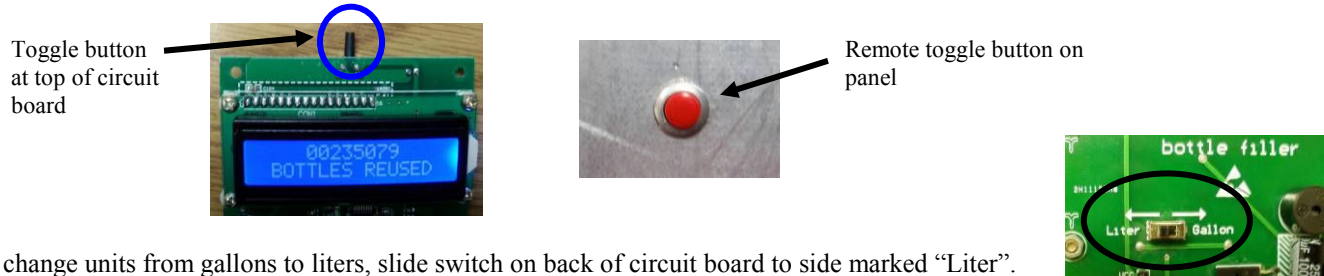
ROUGHING-IN AND DIMENSIONAL DRAWING

SET-UP GUIDE FOR OASIS® HANDS-FREE BOTTLE FILLER ELECTRONICS

Factory default settings are for a(n):

- UNFILTERED unit
- 20 second maximum run time
- Units of gallons, when program is set as FILTERED unit

You can change program settings by entering program mode. Program mode is accessed by either pressing toggle button extending up from top of circuit board or by pressing remote toggle button.



To change units from gallons to liters, slide switch on back of circuit board to side marked “Liter”.

For Hands-free Versafiller models, top cap will need to be set aside until programming is complete. Remove top cap by unscrewing two (2) T15 torx screws if needed.

Reach hand down between frame and front of cabinet to gently press button sticking up from top of circuit board (Note: Circuit board runs on low voltage and will not shock you). A remote button is available. Remove wire tie bundling it inside bottle filler and feed it through hole in cooler top. You can then adjust program using button through access panel of cooler.

For Hands-free Aquapointe models, remove lower front panel (if applicable) or lift out lower edge of upper panel to reach remote toggle button.

To change the program settings, use the following steps:

1. Press and hold toggle button for about 3 seconds to enter program mode. When you hear a beep, let go of button. You are now in program mode. Pressing button for an instant will advance to next screen. It will revert back to operating mode if no button is pressed for 10 seconds.
2. When you enter program mode, display screen will read “UNFILTERED UNIT.” To access settings for “FILTERED UNIT”, press and hold button for about 3 seconds. Press button for an instant to advance to next menu item.
3. If you wish to reset filter life counter or bottle counter, press and hold button for 3 seconds in screen asking corresponding question.
4. Default capacity for filter life counter is 1250 gallons [4731 liters] for a Versafiller. Press and hold button 3 seconds in “FILTER CAPACITY OF...” screen to change setting to 3000 gallons [11355 liters] for galaxi® green filter media.
5. “Bottle Filler Set_time” screen is to adjust maximum run time once sensor is activated. Water flow will stop once container is removed from alcove, but this feature ensures very little water is wasted if someone tampers with dispenser.
6. Unit is calibrated at factory, but it is recommended that sensor be re-calibrated at each install. Also, if you are having problems with sensing of a bottle, try recalibrating it before calling for service. Press and hold button for 3 seconds to calibrate sensor in “INFRARED SENSITIVITY” screen.
7. Put top cap or access panel back on and fasten in place.



OASIS INTERNATIONAL

222 East Campus View Blvd. • Columbus, OH 43235 U.S.A.

1-800-950-3226

www.oasiscoolers.com