

# FOUNTAIN MODELS OASIS® F140R, F140REE SUNROC DF-2601, DF-2601HF INSTRUCTIONS

## INSPECTION

Inspect the cartons and various components for evidence of rough handling and concealed damage. Damage claims should be filed with the carrier.

## INSTALLATION & ELECTRICAL PLUMBING CONNECTIONS

1. **Note:** The following states require a licensed plumber to install cooler; AR, GA, MA, MI, OK, RI, SC, SD, TX, VT and WI.
2. CA, KS, MN, NM, and OR allow for state-registered installer or contractor as well. State and local plumbing codes may prohibit use of saddle tapping valves for water line connection in some applications. All connections must conform to applicable plumbing codes.
3. Plumbing and electrical (if required) rough-in and wall opening should be prepared as shown on Roughing-in drawing and template.
4. Install the mounting plate so that the face of the mounting plate projects ¼" from the finished wall with the imprinted arrow pointed up. **NOTE:** The mounting plate has a line stamped on each side. When these lines are aligned with the finished wall surface, a ¼" projection will result. Ten ¼-20 x 2-1/4" bolts, nuts and washers are provided to attach the mounting plate to 2 x 4 wood wall stud framing. Metal studs should be reinforced by 2 x 4 wood framing for stability. Carrier fixture manufacturers have carriers available for the Radii Fountain and their use is recommended.
5. Remove the bottom plate from the fountain arm. Save the screws.
6. Snap the reveal gasket over the back end of the mounting arm.
7. Add a compression connector (furnished by others) to fountain side waste tube and slide it back approximately 3" out of way. Slide a 3/8" compression fitting (furnished by others) over water supply line(s) and flare end(s). An internal strainer is provided for water supply line. For dielectric isolation of fountain, a non metallic coupling (furnished by others) can be used for water line connection.
8. Hang fountain on two mounting plate studs. **NOTE:** As the fountain is hung, feed the waste tube into the waste stub on the wall side.
9. Tighten the fountain to the mounting plate with the two 5/16-18 nuts and the two ¼-20 screws and washers provided.
10. Complete the plumbing to the fountain. Tighten waste connection and then connect water supply line with 3/8" flare fitting provided.
11. On infra-red sensor equipped models, place and then hold hand approximately 3" from the sensor to actuate the solenoid valve. After approximately 30 seconds run time, the sensor will automatically shut off the solenoid valve. To reactivate, move hand away for an instant and then again place it in front of the sensor. Repeat until the stream from the bubbler is free of bubbles.
12. **TO ADJUST THE BEAM RANGE OF THE SENSOR** (EE Models only): Shut off the water and power supplies.
13. Remove the three screws from the bottom of the bowl that holds the top to the bottom. These screws are recessed and located at the front and at the left and right rear of the bowl bottom.
14. Lift the bowl top up to gain access to the sensor adjusting screw located between the two lenses.
15. The screw can be turned a maximum of a ¾ turn. Turn screw counterclockwise to decrease range. The sensor has an adjustable range of 24" to 48". It is factory set at 27". There is a non-adjustable on-time delay of 1.5 seconds to prevent nuisance actuation of solenoid valve should someone walk by. After drinking, water will shut off immediately after walking away. Maximum run time is 30 seconds should someone tamper with sensor. **NOTE:** Walls with a reflective finish, i.e., ceramic tile, across from sensor may cause false actuation no matter what sensor adjustment is for distance. Therefore, do not install unit in such an area or dull surface of walls so it will not reflect light.
16. Slide the reveal gasket back into the notch between the wall and the arm.
17. Check the plumbing connections for leaks and on new plumbing installations, run water through the bubbler until the water taste is satisfactory. Adjust regulator to achieve desired stream height. Add the bottom plate back to the fountain arm.

## WARNING

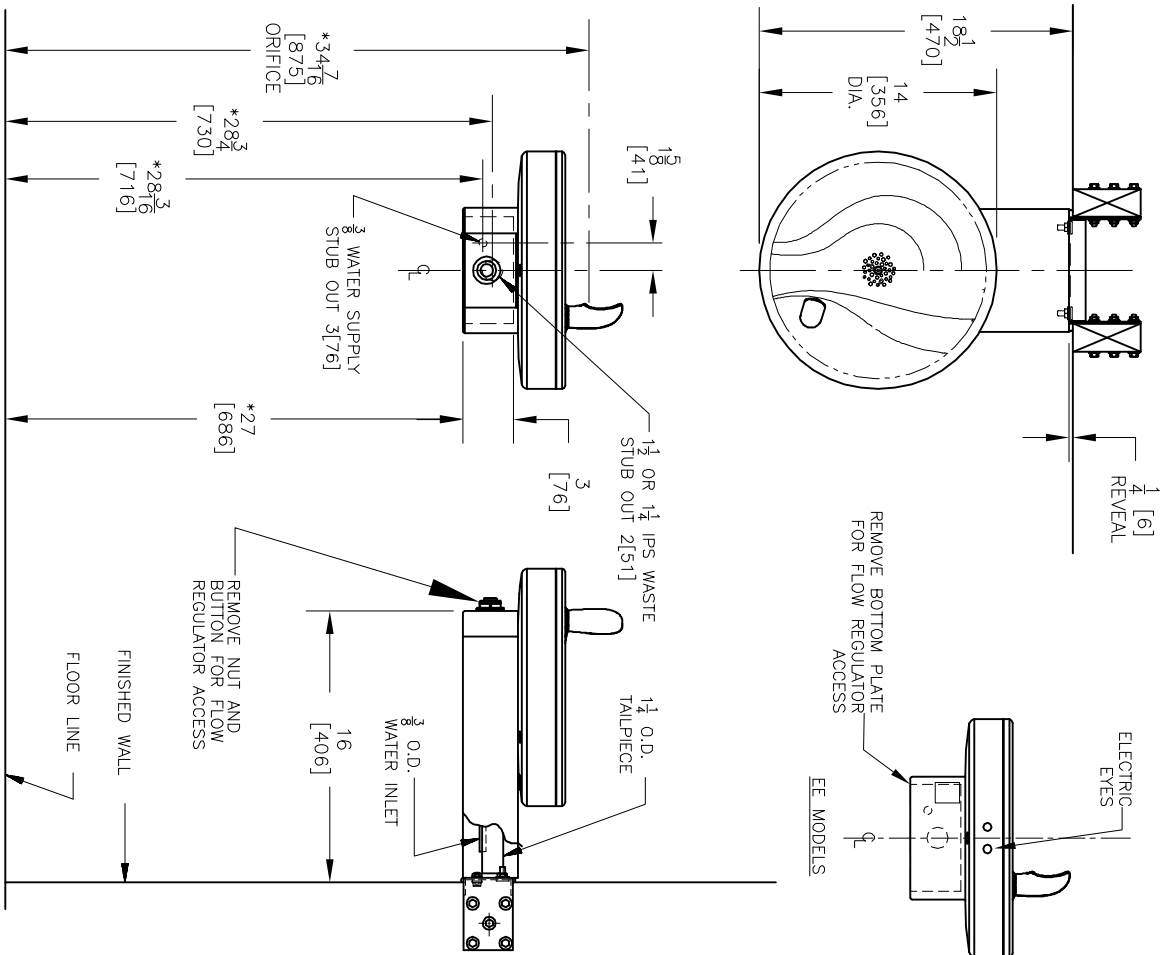
THE WARRANTY FOR THIS MACHINE IS AUTOMATICALLY VOIDED IF THIS MACHINE IS ALTERED, MODIFIED, OR COMBINED WITH ANY OTHER MACHINE OR DEVICE. ALTERATION OR MODIFICATION OF THIS MACHINE MAY CAUSE SERIOUS FLOODING.

EXCEPT AS SET FORTH HEREIN, THE MANUFACTURER MAKES NO OTHER WARRANTY, GUARANTEE OR AGREEMENT EXPRESS, IMPLIED OR STATUTORY, INCLUDING ANY IMPLIED WARRANTY OR MERCHANTABILITY OR FITNESS FOR A PARTICULAR PURPOSE.



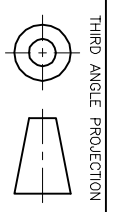
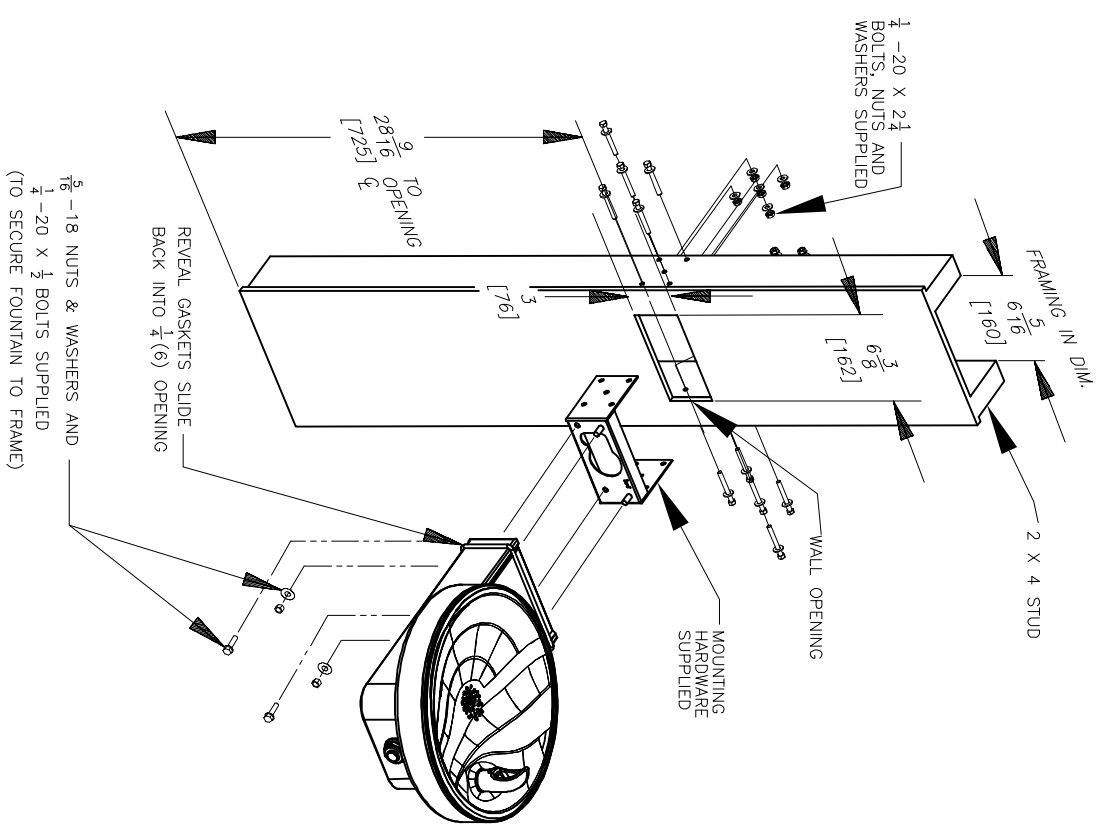
OASIS INTERNATIONAL  
222 East Campus View Blvd. • Columbus, OH 43235 U.S.A.  
1-800-950-3226  
www.oasiscoolers.com

**FOUNTAIN MODELS**  
**OASIS® F140R, F140REE**  
**SUNROC DF-2601, DF26-01HF**



**NOTES:**

- \*1. RECOMMENDED ADULT HEIGHT INSTALLATION SHOWN. ADJUST VERTICAL DIMENSIONS AS REQUIRED TO COMPLY WITH FEDERAL, STATE AND LOCAL CODES.
2. STOP VALVE, TRAP, PIPE CONNECTOR TO WASTE LINE AND 3/8 COMP. FITTING NOT PROVIDED.
3. ALL DIMENSIONS ARE IN INCHES. DIMENSIONS IN BRACKETS [ ] ARE IN MILLIMETERS.



ROUGHING-IN AND DIMENSIONAL DRAWING