

Modular Fountain Models
OASIS® ML110R, M140R
SUNROC DFL-2011, DF-2611
INSTRUCTIONS

1. INSPECTION

Inspect the cartons and various components for evidence of rough handling and concealed damage. Damage claims should be filed with the carrier.

2. INSTALLATION & PLUMBING CONNECTIONS

- a) **Note:** The following states require a licensed plumber to install cooler; AR, GA, MA, MI, OK, RI, SC, SD, TX, VT and WI.
CA, KS, MN, NM and OR allow for a state-registered installer or contractor as well. State and local plumbing codes may prohibit the use of saddle tapping valves for water line connection in some applications. All connections must conform to applicable plumbing codes.
- b) Plumbing rough-in and wall opening should be prepared as shown on Roughing-in drawing.
- c) Insert frame assembly into wall opening and secure to studs. **NOTE: FRONT FLANGE OF FRAME MUST BE FLUSH WITH THE FINISHED WALL SURFACE.**
- d) Place the upper panel in place on the frame top angle and fasten with 2 screws provided at the bottom.
- e) Remove the bottom plate from the fountain arm. Save the screws.
- f) Snap the reveal gasket over the back ends of the fountain arm.
- g) Add compression connector, furnished by others, to the fountain waste tube and slide back approximately 3" out of the way. Slide a 3/8" compression fitting, furnished by others, over the water supply line. An internal strainer is supplied for the water supply line. For dielectric isolation of the fountain, a non metallic coupling (furnished by others) can be used for the water line connection.
- h) Hang the fountain on the mounting plate studs. **NOTE: AS THE FOUNTAIN IS HUNG, FEED THE WASTE TUBE INTO THE WASTE STUB ON THE WALL SIDE.**
- i) Tighten the fountain to the mounting plate with the 5/16-18" nuts and washers and the 1/4-20 bolts and washers provided.
- j) Complete plumbing to the fountain. Tighten the waste connection and then connect the water supply line with the 3/8" flare fitting.
- k) Slide the reveal gasket back into the notch between the panel and the arm. The gasket serves as an appearance item only (to close up any opening around the panel and the mounting plate).
- l) Check the plumbing connections for leaks. On new plumbing installations, run water through the bubbler until the water taste is satisfactory. Adjust regulator to achieve desired stream height. Reinstall the bottom plate back to the fountain arm.

WARNING

The warranty and the Underwriters' Laboratory listing for this machine are automatically voided if this machine is altered, modified, or combined with any other machine or device. Alteration or modification of this machine may cause serious flooding and/or hazardous electrical shock or fire.

Except as set forth herein, the manufacturer makes no other warranty, guarantee or agreement expressed, implied or statutory, including any implied warranty or merchantability or fitness for a particular purpose.



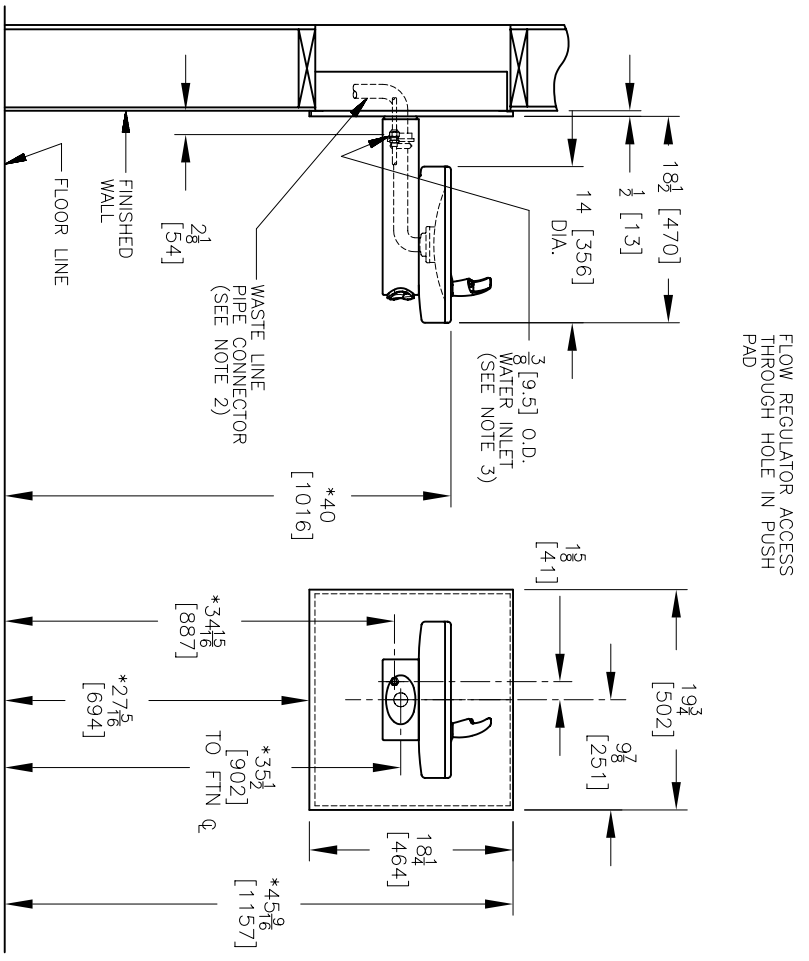
222 East Campus View Blvd. • Columbus, OH 43235 U.S.A.

1-800-950-3226

www.oasiscoolers.com

FOUNTAIN MODELS
OASIS® ML110R
SUNROC DFL-2011

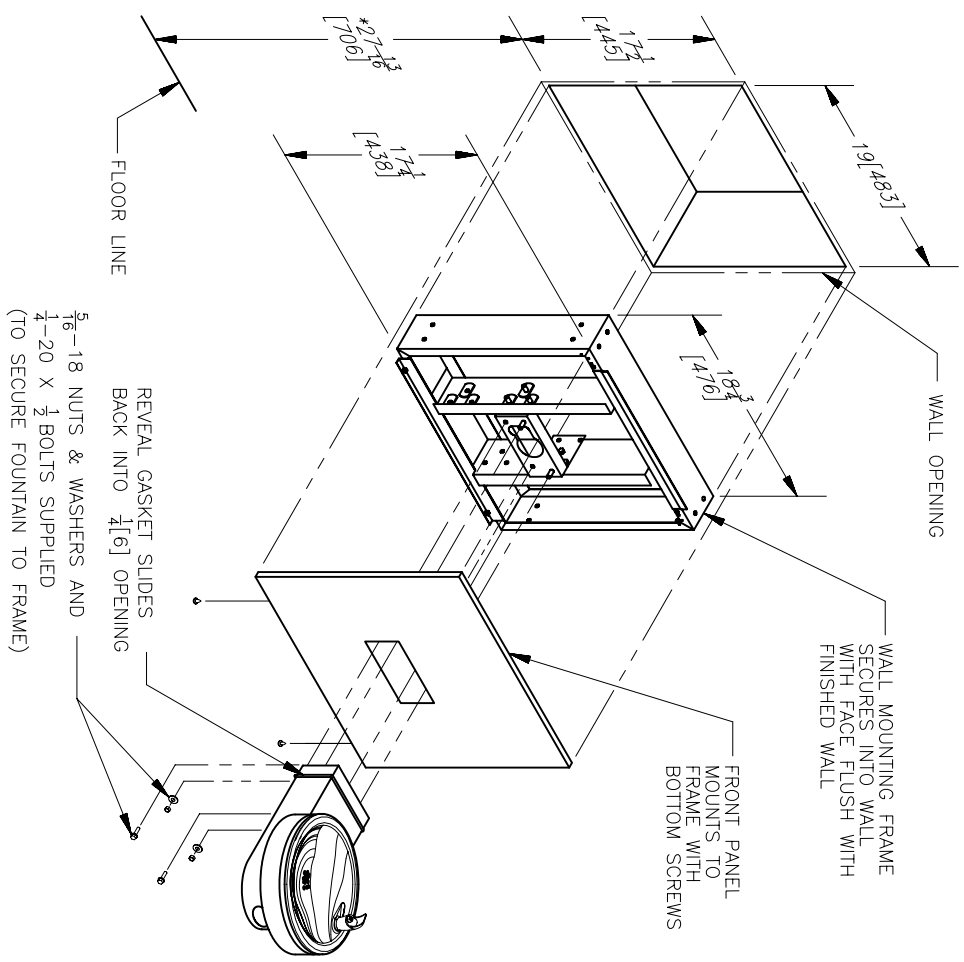
ROUGHING-IN & DIMENSIONAL DRAWING



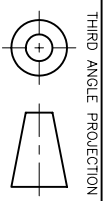
NOTES:

- *1. RECOMMENDED ADULT HEIGHT INSTALLATION SHOWN. ADJUST VERTICAL DIMENSIONS AS REQUIRED TO COMPLY WITH FEDERAL, STATE AND LOCAL CODES.
2. STOP VALVE, TRAP, PIPE CONNECTOR TO WASTE LINE NOT PROVIDED WITH UNIT. 2[51] PROJECTION OF 1 1/2 [38] OR 1 1/4 [32] PIPE STUB FOR 1 1/2 (32) O.D. WASTE LINE REQUIRED.
3. 2[51] PROJECTION OF 3/8 [9.5] O.D. WATER SUPPLY TUBE REQUIRED.
4. ALL DIMENSIONS ARE IN INCHES. DIMENSIONS IN BRACKETS [] ARE IN MILLIMETERS.

WALL OPENING & ASSEMBLY



REVEAL GASKET SLIDES BACK INTO 1/4 [6] OPENING (TO SECURE FOUNTAIN TO FRAME)

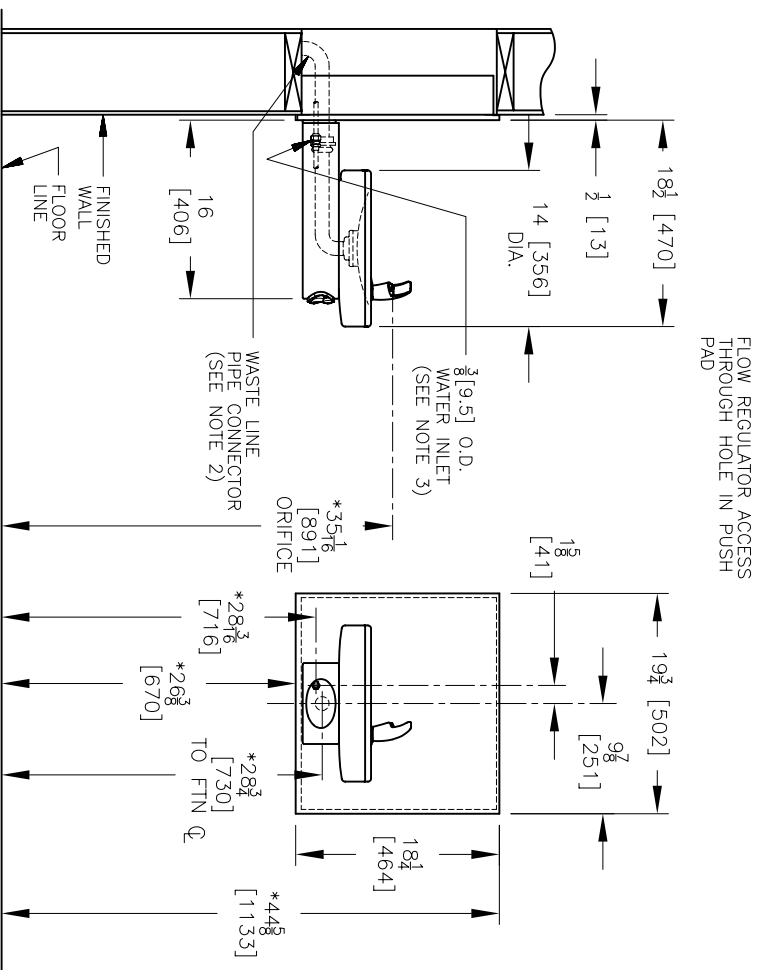


THIRD ANGLE PROJECTION

ROUGHING-IN AND DIMENSIONAL DRAWING

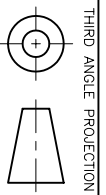
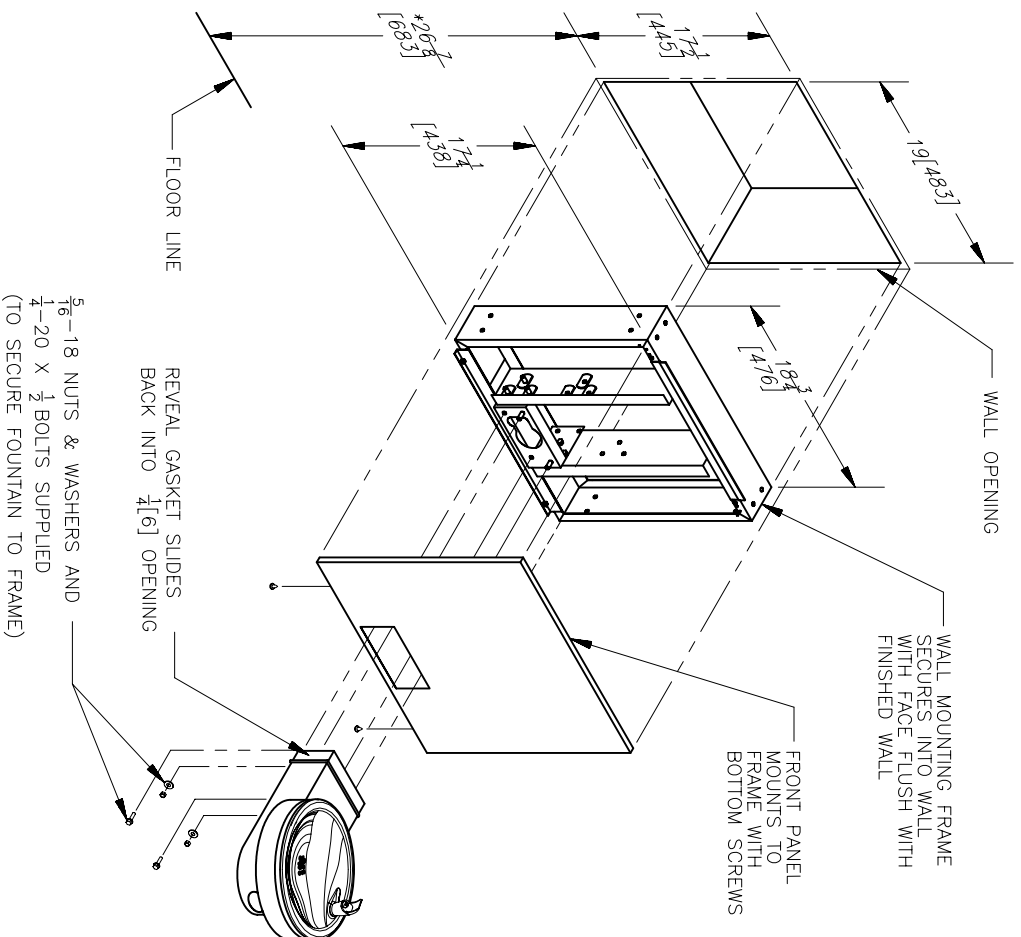
FOUNTAIN MODELS OASIS® M140R SUNROC DF-2611

ROUGHING-IN & DIMENSIONAL DRAWING



- NOTES:
1. RECOMMENDED ADULT HEIGHT INSTALLATION SHOWN. ADJUST VERTICAL DIMENSIONS AS REQUIRED TO COMPLY WITH FEDERAL, STATE AND LOCAL CODES.
 2. STOP VALVE, TRAP, PIPE CONNECTOR TO WASTE LINE NOT PROVIDED WITH UNIT. 2[51] PROJECTION OF 1 1/2 [38] OR 1 1/4 [32] PIPE STUB FOR 1 1/4 [32] O.D. WASTE LINE REQUIRED.
 3. 2[51] PROJECTION OF 3/8 [9.5] O.D. WATER SUPPLY TUBE REQUIRED.
 4. ALL DIMENSIONS ARE IN INCHES. DIMENSIONS IN BRACKETS [] ARE IN MILLIMETERS.

WALL OPENING & ASSEMBLY



THIRD ANGLE PROJECTION

ROUGHING-IN
AND
DIMENSIONAL DRAWING