

**WATER COOLER MODELS**  
**OASIS® P8FPMCD, P12FPMCD**  
**SUNROC NFRD8CD, NFRD12CD**  
**INSTRUCTIONS**

**1. INSPECTION**

Inspect the carton and water cooler for evidence of rough handling and concealed damage. Damage claims should be filed with the carrier.

**2. MAINTENANCE**

The only maintenance operation required is the removal of dirt and lint from the condenser. Inspection should be made at 3 month intervals. Disconnect the power supply cord, then clean the condenser with a small stiff non-wire brush when required. Observance of this procedure will insure adequate air circulation through the condenser so operation is efficient and economical.

**3. OVERLOAD PROTECTION**

The compressor motor is equipped with an automatic reset protector which will disconnect the motor from the line in case of an overload.

**4. LUBRICATION**

This unit is equipped with a hermetically sealed compressor and requires no additional lubrication. The fan motor on this unit seldom needs oiling, but if required, a few drops of SAE 10 oil should be used.

**5. TO PUT WATER COOLER INTO SERVICE**

- a) **Note:** The following states require a licensed plumber to install cooler; AR, GA, MA, MI, OK, RI, SC, SD, TX, VT and WI. CA, KS, MN, NM and OR allow for a state-registered installer or contractor as well. State and local plumbing codes may prohibit the use of saddle tapping valves for water line connection in some applications. All connections must conform to applicable plumbing codes.
- b) Locate and install plumbing and electrical service in accordance with the roughing-in drawing.
- c) Install wall sleeve. Shim so sleeve is square an plumb. Anchor securely with masonry sewers or toggle bolts. Remove the top and bottom spreaders and discard.
- d) Hang top on wall sleeve with the return flange of the top behind the top flange of the wall sleeve as shown on the dimensional drawing. Fasten bottom of cooler top in place using two nuts and bolts provided.
- e) Connect slip joint waste adapter, not furnished, to drain fitting and water shut-off valve, not furnished, to supply fitting.
- f) Attach cupfiller and tube assembly to cupfiller frame. Thread the washer and nut over tube and insulation and tighten at valve. Insert bottom end of cupfiller tube through the hole provided in the top. Attach waste receptacle and cupfiller assemblies to wall sleeve using four screws provided for each. Align accessory units with top and bottom of water cooler and flush with front surfaces. Tighten screws.
- g) Install cradle for cooling unit to wall sleeve using four screws provided. Install cooling unit in cradle.
- h) Insert the strainer assembly through the drain hole in the top. Slide the 2" diameter black gasket over the end of the strainer and assemble tailpiece to the strainer. Draw-up tight to seat gasket. Connect waste trap, not furnished, to the tailpiece.
- i) Place 1-1/4" diameter black gasket over the bubbler spud. Insert bubbler spud and water line assembly through the hole in the top and secure in place with #8-32 flat head machine screw. Place clear plastic gasket over spud and the remaining 7/8" diameter black gasket on top of it. Attach bubbler valve to top and connect water line from bubbler to water-out fitting on cooling unit. Use pipe compound sparingly on male threads only.
- j) Do not get pipe compound on inside of lines. Do not over-tighten fittings. Damage to the cooling unit may result.
- k) Attach plastic waste tube to waste elbow on cupfiller accessory and to stub on tailpiece. Fasten with hose clamps provided.
- l) Check the available power supply against the cooling unit date plate to assure correct electrical service. Make electrical connections at the cooling unit junction box.
- m) Turn on water supply to the cooling unit. After water cooler has been filled, as evidenced by the absence of the audible filling sound, draw-off water from the bubbler until no air bubbles are seen from the bubbler.
- n) Install the grille by placing top flange behind bottom rear of cooler top and the lower inner flange behind bottom wall sleeve flange. Secure grille to top with screws, provided, at the bottom flange.

**6. TO DISCONTINUE USE OF WATER COOLER**

- a) Remove front grille.
- b) Disconnect the power supply.
- c) Close water supply shut-off valve.
- d) Provide container to catch water and remove drain plug.
- e) Remove or open bubbler valve and, if any, the glassfiller valve. Replace plug(s) when draining is complete.
- f) **ALWAYS DRAIN ALL WATER WHEN FREEZING TEMPERATURES ARE ANTICIPATED AND BEFORE SHIPPING THE WATER COOLER.**

**WARNING**

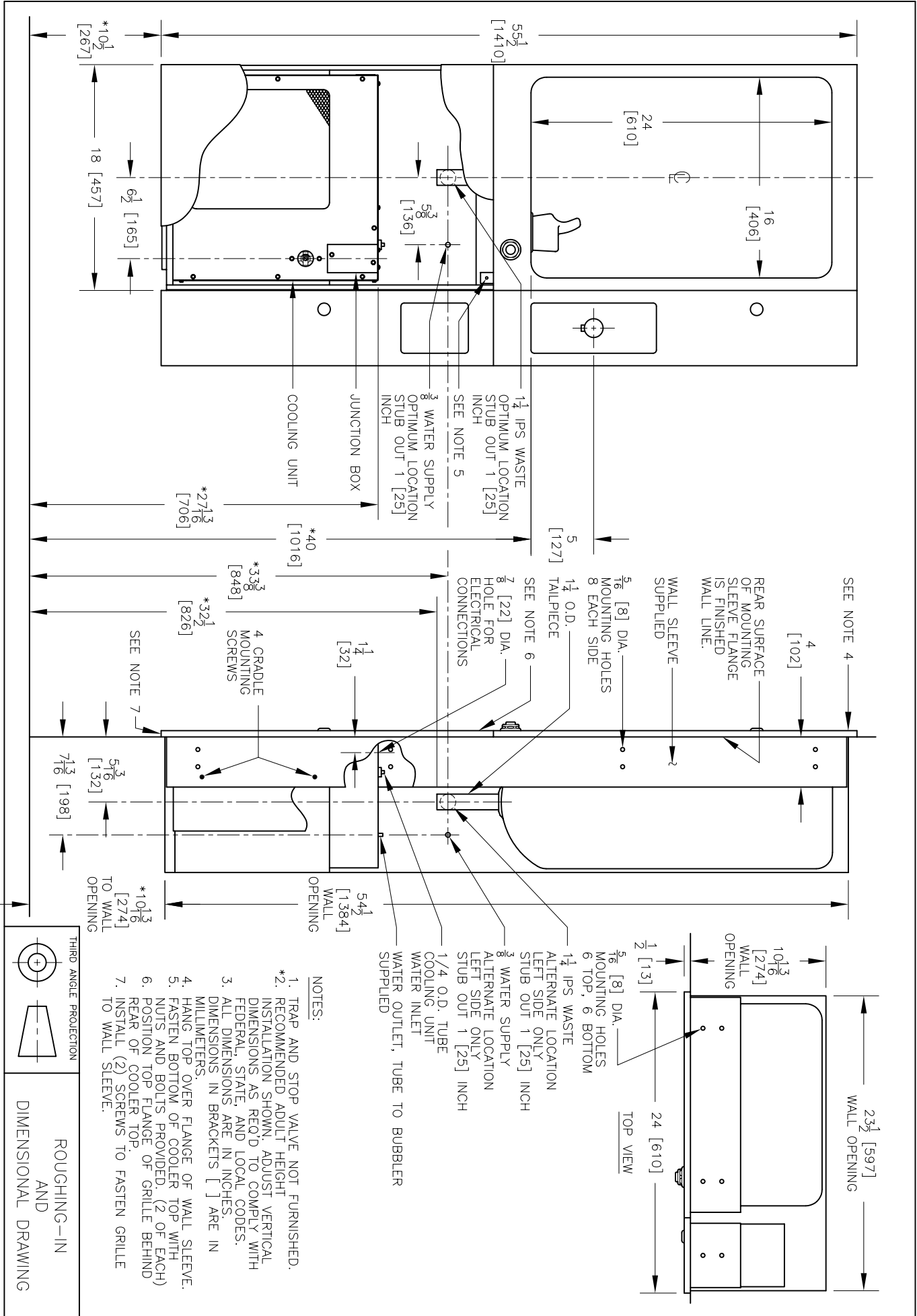
The warranty and the Underwriters' Laboratories Listing for this machine are automatically voided if this machine is altered, modified, or combined with any other machine or device. Alteration or modification of this machine may cause serious flooding and/or hazardous electrical shock or fire.

EXCEPT AS SET FORTH HEREIN, THE MANUFACTURER MAKES NO OTHER WARRANTY, GUARANTEE OR AGREEMENT EXPRESSED, IMPLIED OR STATUTORY, INCLUDING ANY IMPLIED WARRANTY OR MERCHANTABILITY OR FITNESS FOR A PARTICULAR PURPOSE.

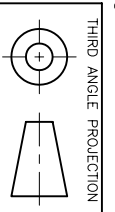


222 East Campus View Blvd. • Columbus, OH 43235 U.S.A.  
1-800-950-3226  
www.oasiscoolers.com

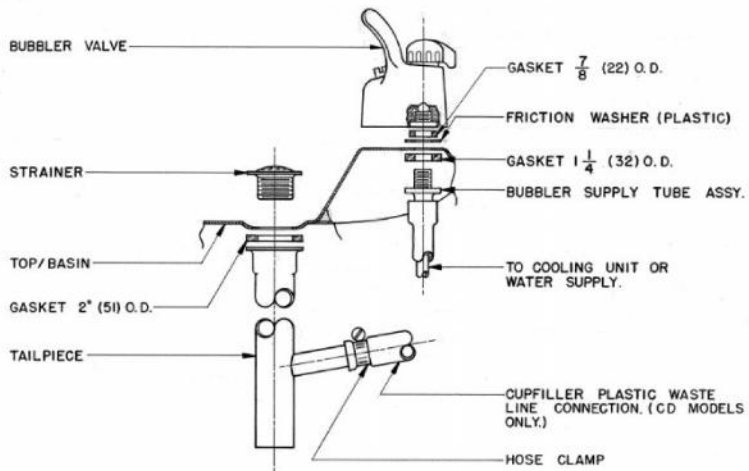
**WATER COOLER MODELS**  
**OASIS® P8FPMCD, P12FPMCD**  
**SUNROC NFRD8CD, NFRD12CD**



- NOTES:**
1. TRAP AND STOP VALVE NOT FURNISHED.
  - \*2. RECOMMENDED ADULT HEIGHT INSTALLATION SHOWN. ADJUST VERTICAL DIMENSIONS AS REQ'D TO COMPLY WITH FEDERAL, STATE, AND LOCAL CODES.
  3. ALL DIMENSIONS IN BRACKETS [ ] ARE IN MILLIMETERS.
  4. HANG TOP OVER FLANGE OF WALL SLEEVE.
  5. FASTEN BOTTOM OF COOLER TOP WITH NUTS AND BOLTS PROVIDED. (2 OF EACH)
  6. POSITION TOP FLANGE OF GRILLE BEHIND REAR OF COOLER TOP.
  7. INSTALL (2) SCREWS TO FASTEN GRILLE TO WALL SLEEVE.

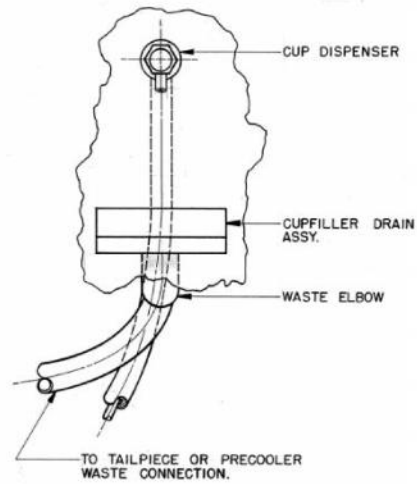


ROUGHING-IN AND DIMENSIONAL DRAWING



## BUBBLER-WASTE

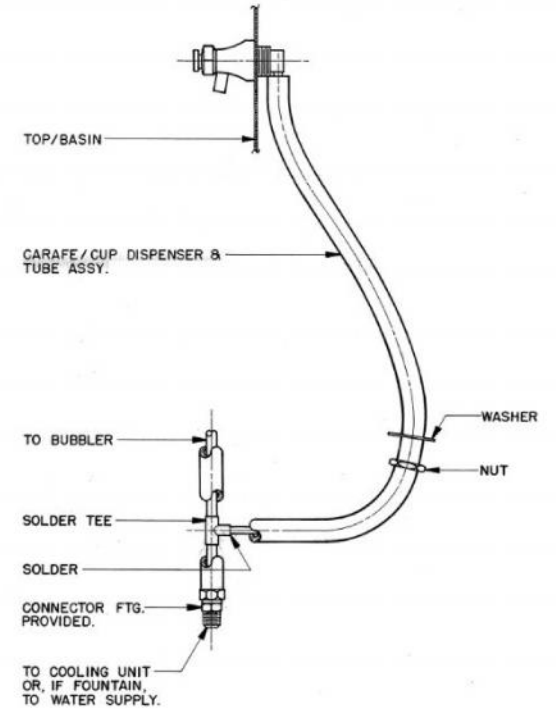
NO SCALE



CUP DISPENSER USED ON CD MODELS ONLY

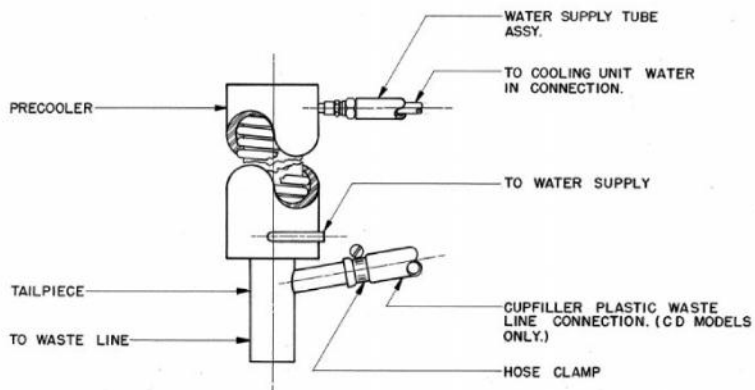
## CUP DISPENSER

NO SCALE



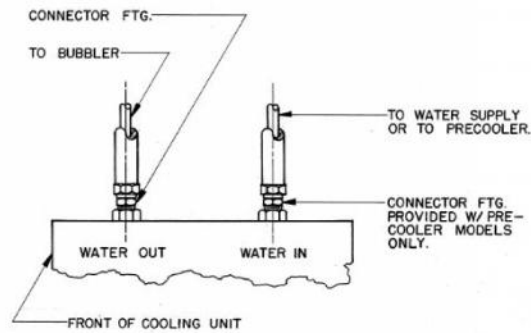
## GLASSFILLER

NO SCALE



## PRECOOLER-WASTE

NO SCALE



SIDE VIEW OF COOLING UNIT CONNECTIONS

## COOLING UNIT

NO SCALE

### NOTES:

- 1) SEE INSTRUCTION SHEET FOR WRITTEN INSTRUCTIONS.
- 2) ALL DIMENSIONS ARE IN INCHES. DIMENSIONS IN PARENTHESES ( ) ARE IN MILLIMETERS.

**REMOTE COOLING UNITS  
NOT FOR USE WITH R.O. WATER  
OASIS® R8, R12  
SUNROC RWCD8, RWCD12  
INSTRUCTIONS**

**1. INSPECTION**

Inspect the carton and water cooler for evidence of rough handling and concealed damage. Damage claims should be filed with the carrier.

**2. MAINTENANCE**

The only maintenance operation required is the removal of dirt and lint from the condenser. Inspection should be made at 3 month intervals. When condenser requires cleaning, remove dirt and lint with a vacuum cleaner. Observance of this procedure will insure adequate air circulation through the condenser so operation is efficient and economical.

**3. OVERLOAD PROTECTION**

The compressor motor is equipped with an automatic reset protector which will disconnect the motor from the line in case of an overload.

**4. LUBRICATION**

This unit is equipped with a hermetically sealed compressor and requires no additional lubrication. The fan motor on this unit seldom needs oiling, but if required, a few drops of SAE 10 oil should be used.

**5. COOLING UNIT INSTALLATION**

- a) **Note:** The following states require a licensed plumber to install cooler; AR, GA, MA, MI, OK, RI, SC, SD, TX, VT and WI. CA, KS, MN, NM and OR allow for a state-registered installer or contractor as well. State and local plumbing codes may prohibit the use of saddle tapping valves for water line connection in some applications. All connections must conform to applicable plumbing codes.
- b) This unit is a remote water cooling package suitable for mounting in most locations.  
**CAUTION:** If located in a recess or alcove, the ventilated sides of the cooling unit requires a minimum of 5" clearance from walls. This unit is not intended for cabinet or under-sink installation.
- c) Locate and install plumbing and electrical service in accordance with the dimensional drawing.
- d) Connect water supply tube from WATER-IN tube on cooling unit to the shut-off valve. If a filter is to be installed, place it in-line between the shut-off valve and the WATER-IN tube on the cooling unit.
- e) A filter kit is available for retrofit to this system. Refer to kit instructions for installation. **WARNING: Do not flush filter until WATER-OUT connection is made.** A bracket or clip can be used to secure the filter. Refer to the "Rough in and Dimensional Drawing" of the unit in which the filter is to be installed for specifics on use and location. Pre-punched holes are already located where the filter will be mounted.
- f) Make connection to WATER-OUT tube on cooling unit.
- g) Flush filter per instructions listed on the "Oasis Versafilter Cartridge Replacement Instructions" sheet.
- h) Check the available power supply against the cooling unit data plate to assure correct electrical service. Make service connections to the outlet box.
- i) Turn on power and water supply to the cooling unit. After cooling unit has filled as evidenced by the absence of the audible filling sound, draw off water until no air bubbles are seen in the water stream.

**6. TO DISCONTINUE USE OF COOLING UNIT**

- a) Disconnect power supply.
- b) Close water supply shut-off valve.
- c) Provide container to catch water and remove drain plug from cooling unit.
- d) Replace plug when draining is complete.
- e) **ALWAYS DRAIN ALL WATER WHEN FREEZING TEMPERATURES ARE ANTICIPATED AND BEFORE SHIPPING THE COOLING UNIT.**

**WARNING**

The warranty and the Underwriters' Laboratories listing for this machine are automatically voided if this machine is altered, modified, or combined with any other machine or device. Alteration or modification of this machine may cause serious flooding and/or hazardous electrical shock or fire.

EXCEPT AS SET FORTH HEREIN, THE MANUFACTURER MAKES NO OTHER WARRANTY, GUARANTEE OR AGREEMENT EXPRESSED, IMPLIED OR STATUTORY, INCLUDING ANY IMPLIED WARRANTY OR MERCHANTABILITY OR FITNESS FOR A PARTICULAR PURPOSE.



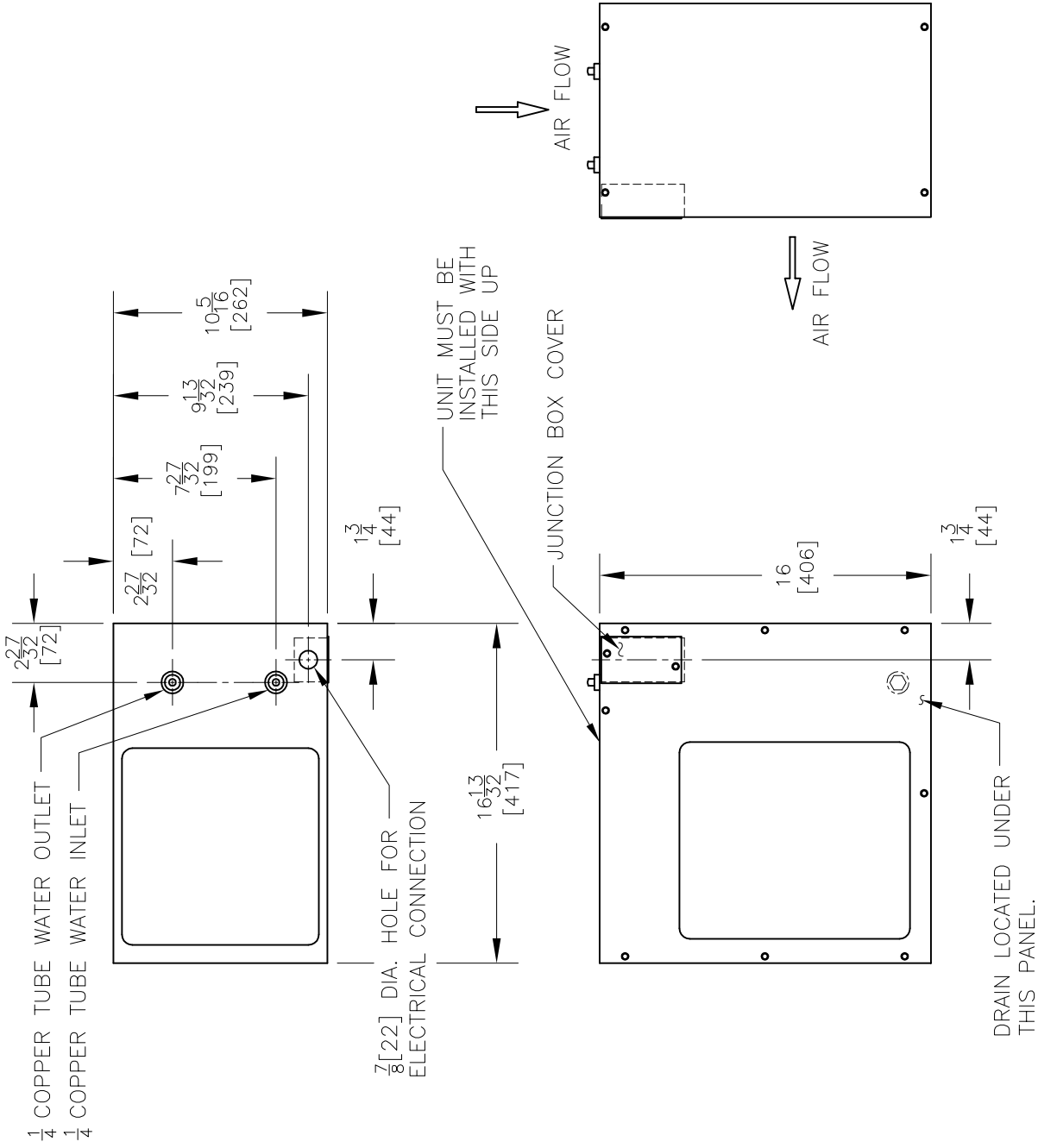
OASIS INTERNATIONAL

222 East Campus View Blvd. • Columbus, OH 43235 U.S.A.

1-800-950-3226

[www.oasiscoolers.com](http://www.oasiscoolers.com)

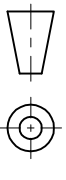
# REMOTE COOLING UNITS OASIS® R8, R12 SUNROC RWCD8, RWCD12



**NOTES:**

1. ALLOW 5 INCHES [127 MM] MIN. PER VENTILATED SIDE.
2. ALL DIMENSIONS ARE IN INCHES. DIMENSIONS IN BRACKETS [ ] ARE IN MILLIMETERS.
3. NOT FOR USE WITH R.O. WATER.

THIRD ANGLE PROJECTION



ROUGHING-IN  
AND  
DIMENSIONAL DRAWING